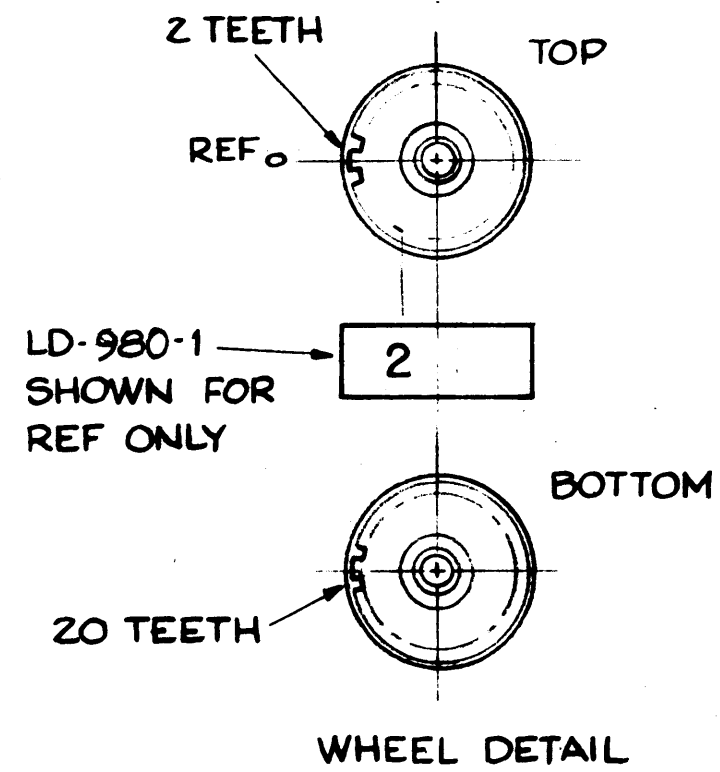
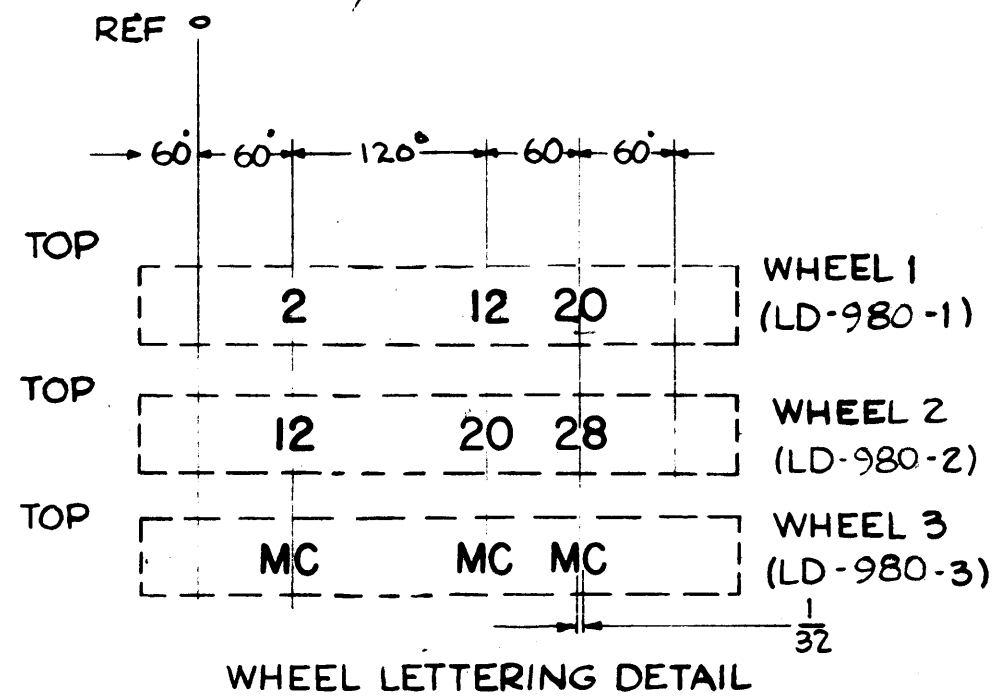
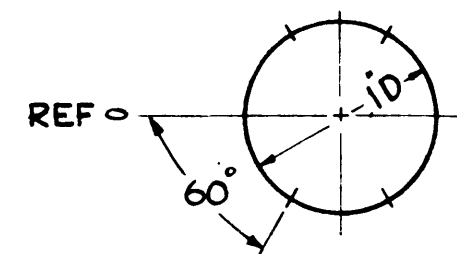


LD-980 C



NOTES ~

- 1~ FIGURES ~ 18 POINT ALTERNATE BLACK GOTHIC NO. 2
- 2~ BACKGROUND ~ WHITE
- 3~ SPACING ~ DOUBLE FIGURES 1/32 APART, SINGLE FIGURES CENTERED.

NOTICE TO PERSONS RECEIVING THIS DRAWING

THE TECHNICAL MATERIEL CORPORATION claims proprietary right in the material disclosed hereon. This drawing is issued in confidence for engineering information only and may not be reproduced or used to manufacture anything shown hereon without permission from THE TECHNICAL MATERIEL CORPORATION to the user. This drawing is loaned for mutual assistance and is subject to recall at any time.

Property of:  
**THE TECHNICAL MATERIEL CORPORATION**  
 MAMARONECK, NEW YORK

FOR TMC USE ~  
 USE BLANK WHEEL OF CY106 AFTER  
 DISASSEMBLING AS PER STEPS 1 & 2  
 OF TMC DWG A-3116-5

ISSUE	ITEM	CHANGED FROM	DATE	CH. NO.	DRAFTS	CHECKER	ENG. APP.
C	1	TMC DWG W/RS A-2222 (A) REMOVED OBSOLETE	3-7-67	17085	L.A.K.	[Signature]	[Signature]
B	1	REPLACED BY AC-139	5-5-63	8970	[Signature]	[Signature]	[Signature]
A		ON WHEEL #2 NO 12 WAS NO 2	5-10-62	6686	G.O.L.	[Signature]	[Signature]

TOLERANCE SCALE:

DEC. DIM. ±  
 FRAC. DIM. ±  
 ANGULAR DIM. ±

MAXIMUM ALLOWABLE TOLERANCES HAVE BEEN DETERMINED AND ANY DEVIATIONS WILL BE CAUSE FOR REJECTION. REMOVE ALL BURRS AND SHARP EDGES

1	APT-40K	AT-103	10-26-61
REQ. PER UNIT	MODEL	PROJECT NO.	ASS'Y. NO.
			DATE
			USED ON

REQ. ITEM	PART NO.	DESCRIPTION	SYMBOL
		THE TECHNICAL MATERIEL CORP. MAMARONECK, NEW YORK	
		LETTERING, WHEELS, AC-139	
		ASS'Y	
		OB [Signature] RIZZIO [Signature]	[Signature]
		TYPE & TEMPER HEAT TREAT. SPEC.	DRAWN ENGINEER FINAL APPROVAL
		FINISH & SPEC. NO.	ELEC. DES. APP. MESH. DES. APP.

LD-980 C