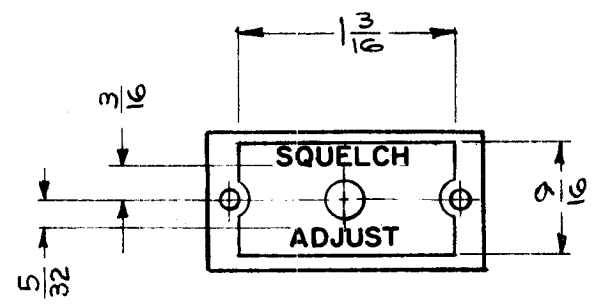


REQ. PER. UNIT	USED ON			LD-964 B
	MODEL	ASS'Y. NO.	DATE	
			8-16-61	



ENGRAVING TO BE 3/32 HIGH WHITE GOTHIC
BLACK MATTE BACKGROUND & CLEAR LACQUER.

REF: MS-2645 (1)

REQ.	ITEM	PART NO.	DESCRIPTION				SYMBOL
			THE TECHNICAL MATERIEL CORP. MAMARONECK, NEW YORK				
B	1		ENGRAVING, SQUELCH PLATE				
A	2		STOCK SIZE				
	1		MATERIAL				
ISSUE	ITEM	CHANGED FROM	DATE	CH. NO.	DRAFTS	CHECKER	ENG. APP.
			9/21/63	10075			
			7-17-63	9617			
TOLERANCES			SCALE:				
DEC. DIM. ±			MAXIMUM ALLOWABLE TOLERANCES HAVE BEEN DETERMINED AND ANY DEVIATIONS WILL BE CAUSE FOR REJECTION. REMOVE ALL BURRS AND SHARP EDGES				
FRAC. DIM. ±							
ANGULAR DIM. ±							
TYPE & TEMPER		HEATTREAT. SPEC.	DRAWN	CHECKED	FINAL APPROVAL		
					LD-964 B		
FINISH & SPEC. NO.		ELEC. DES. APP	MECH. DE . APP				