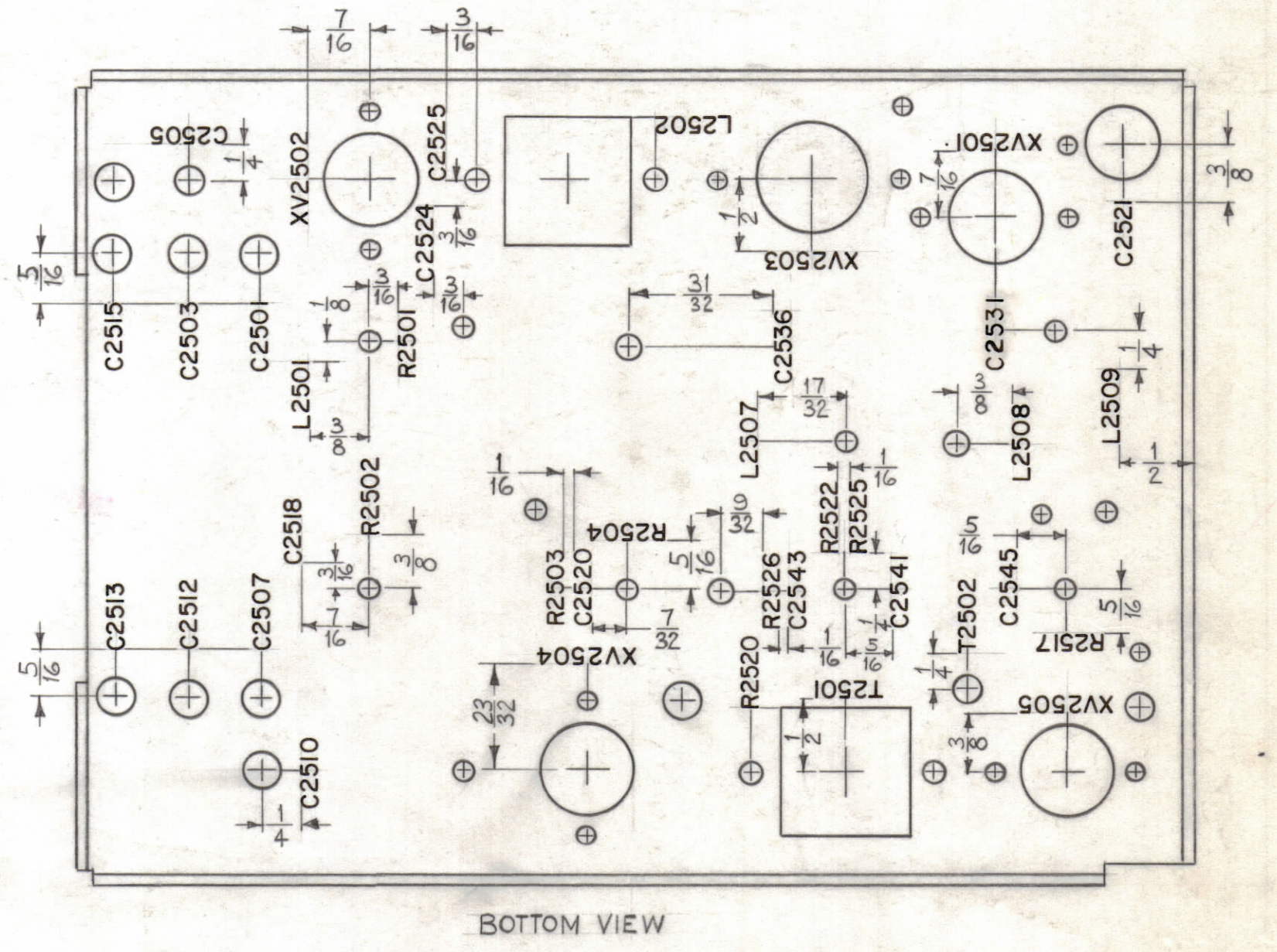
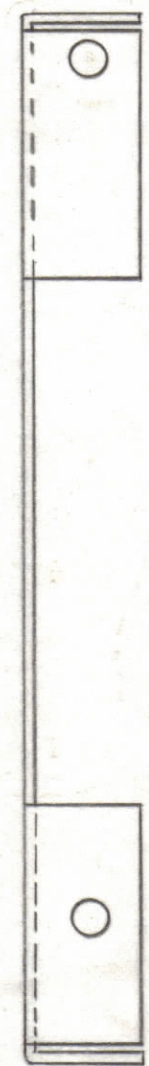
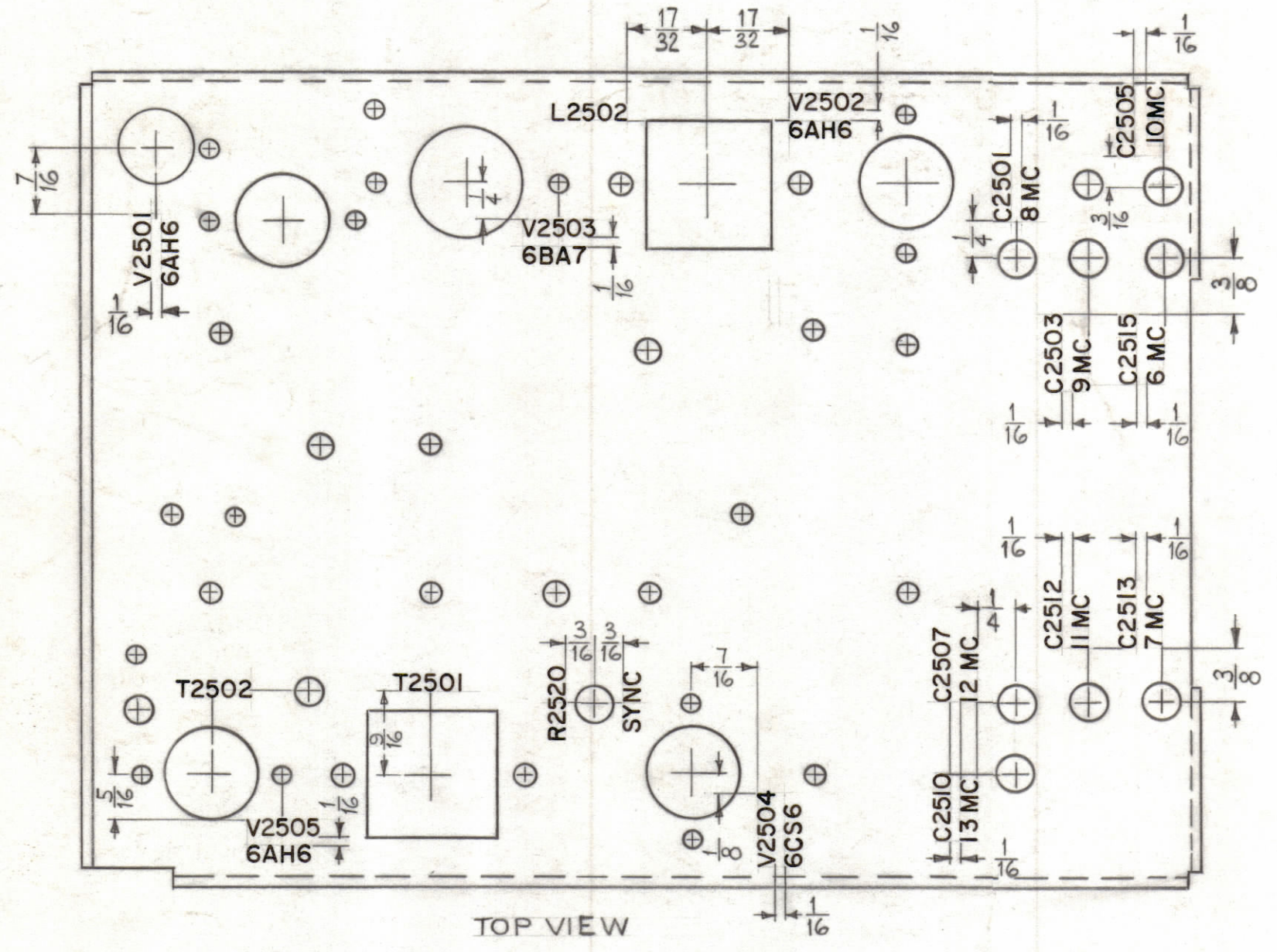


NOTICE TO PERSONS RECEIVING THIS DRAWING

THE TECHNICAL MATERIEL CORPORATION claims proprietary right in the material disclosed hereon. This drawing is issued in confidence for engineering information only and may not be reproduced or used to manufacture anything shown hereon without permission from THE TECHNICAL MATERIEL CORPORATION to the user. This drawing is loaned for mutual assistance and is subject to recall at any time.

Property of:
 THE TECHNICAL MATERIEL CORPORATION
 MAMARONECK, NEW YORK



ALL LETTERING TO BE 1/8 HIGH BLACK GOTHIC.
 MARKING PROCESS: AS PER TMC SPECIFICATION S-727

REF: MS-2592 (4)

SYM	ZONE	DESCRIPTION	DATE	CH. NO.	DRAFTS	CHECKER	ENG. APP.
UNLESS OTHERWISE SPECIFIED:							
DIMENSIONS ARE IN INCHES			SCALE FULL (DO NOT SCALE)				
TOLERANCES ON FRACTIONS ± 1/64			MAXIMUM ALLOWABLE TOLERANCES HAVE BEEN DETERMINED AND ANY DEVIATIONS WILL BE CAUSE FOR REJECTION. REMOVE ALL BURRS & SHARP EDGES				
DECIMALS ± .005							
ANGLES ± 1/2°							

REQ. PER UNIT	MODEL	SECTION	ASS'Y. NO.	DATE
1	CHG-2	SYNTH.		5-31-61

REQ. ITEM	PART NO.	DESCRIPTION	SYMBOL
THE TECHNICAL MATERIEL CORP. MAMARONECK, NEW YORK			
LETTERING, CHASSIS SYNTHESIZER			
DRAWN		CHECKED	FINAL APPROVAL
TYPE & TEMPER		HEAT TREAT. SPEC.	
FINISH & SPEC. NO.		ELEC. DES. APP.	MECH. DES. APP.
		SHEET OF	