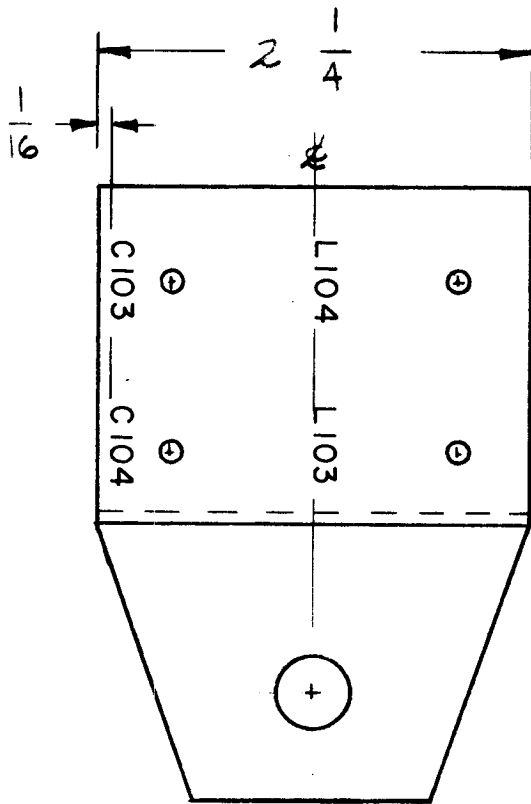


REQ. PER UNIT	USED ON			LD-901
	MODEL	ASS'Y. NO.	DATE	
1	ACU		4-13-61	



NOTE:

ALL LETTERING TO BE
1/8 HIGH BLACK GOTHIC.

MARKING PROCESS: AS PER TMC SPECIFICATION S-727

REF (1) MS-2441

REQ.	ITEM	PART NO.	DESCRIPTION	SYMBOL												
			THE TECHNICAL MATERIEL CORP.													
			MAMARONECK, NEW YORK													
			LETTERING, BRACKET FILTER													
			MOUNTING													
ISSUE	ITEM	CHANGED FROM	DATE	CH. NO.	DRAFTS	CHECKER	ENG. APP.	MATERIAL								
TOLERANCES			SCALE:													
DEC. DIM. ±			MAXIMUM ALLOWABLE TOLERANCES HAVE BEEN DETERMINED AND ANY DEVIATIONS WILL BE CAUSE FOR REJECTION. REMOVE ALL BURRS AND SHARP EDGES					TYPE & TEMPER	HEAT TREAT. SPEC.	DRAWN	CHECKED	FINAL APPROVAL				
FRAC. DIM. ±																
ANGULAR DIM. ±																
							FINISH & SPEC. NO.	ELEC. DES. APP.	MECH. DES. APP.		LD-901					