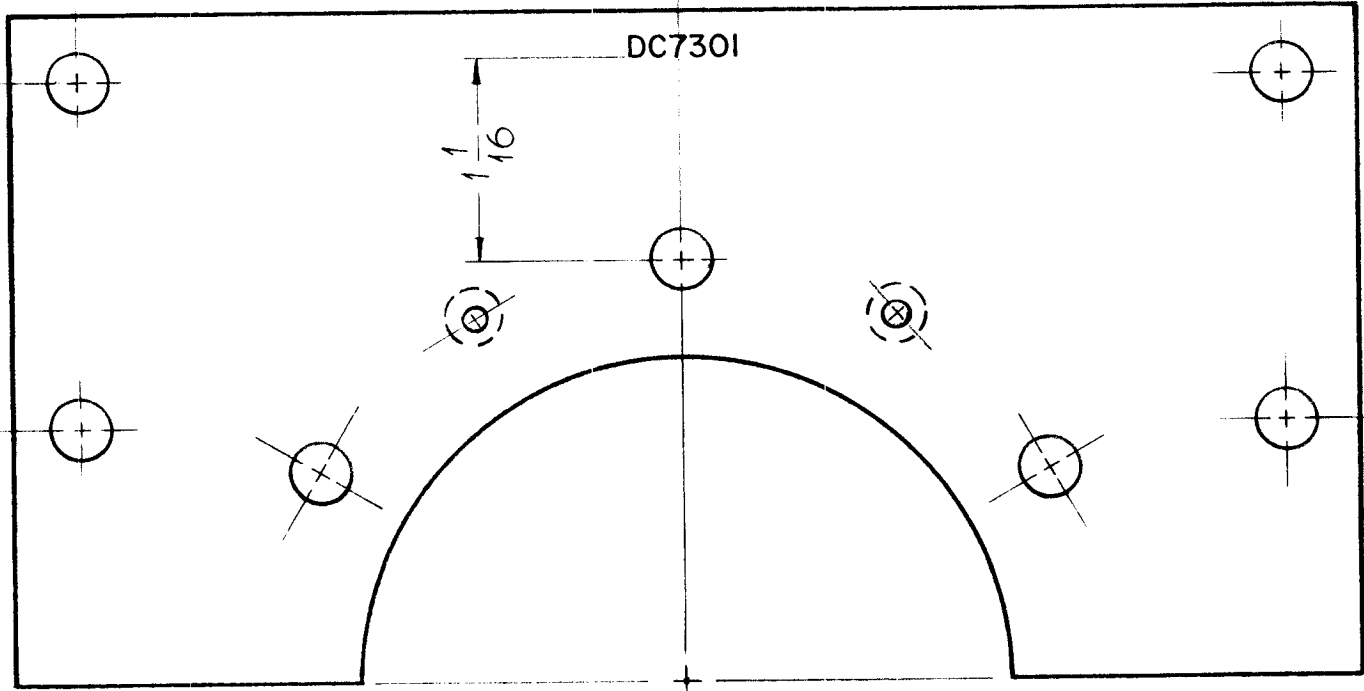


REQ. PER UNIT	USED ON			LD-835 B
	MODEL	ASSY. N .	DATE	
Z	GPT40K	AX-209	10-18-60	



OBSOLETE

MARKING PROCESS: AS PER TMC SPECIFICATION S-727
 ALL LETTERING 1/8" HIGH BLACK GOTHIC.

OBSOLETE
 "FOR SPARE PARTS ONLY"
 11/28/60

REF ~ TMC DWG. NO. MS-2170 (1)

ISSUE	ITEM	CHANGED FROM	DATE	CH. NO.	DRAFTS	CHECKER	ENG. APP.	REQ.	ITEM	PART NO.	DESCRIPTION	SYMBOL	
											THE TECHNICAL MATERIEL CORP. MAMARONECK, NEW YORK	LD-835 B	
B	1	Holes Clarified	11-20-61	5931	E. L.	<i>[Signature]</i>					LETTERING, DIRECTIONAL COUPLER, MTG. PLATE	LD-835 B	
A	1	DWG, OBSOLETE	11/28/60	3593	DDM	<i>[Signature]</i>							
TOLERANCES			SCALE: FULL, Do NOT SCALE					TYPE & TEMPER		HEAT TREAT. SPEC.		DRAWN	
DEC. DIM. ± FRAC. DIM. ± ANGULAR DIM. ±			MAXIMUM ALLOWABLE TOLERANCES HAVE BEEN DETERMINED AND ANY DEVIATIONS WILL BE CAUSE FOR REJECTION. REMOVE ALL BURRS AND SHARP EDGES					FINISH & SPEC. NO.		ELEC. DES. APP		MECH. DES. APP	
								J.C. Biele		<i>[Signature]</i>		FINAL APPR VAL	