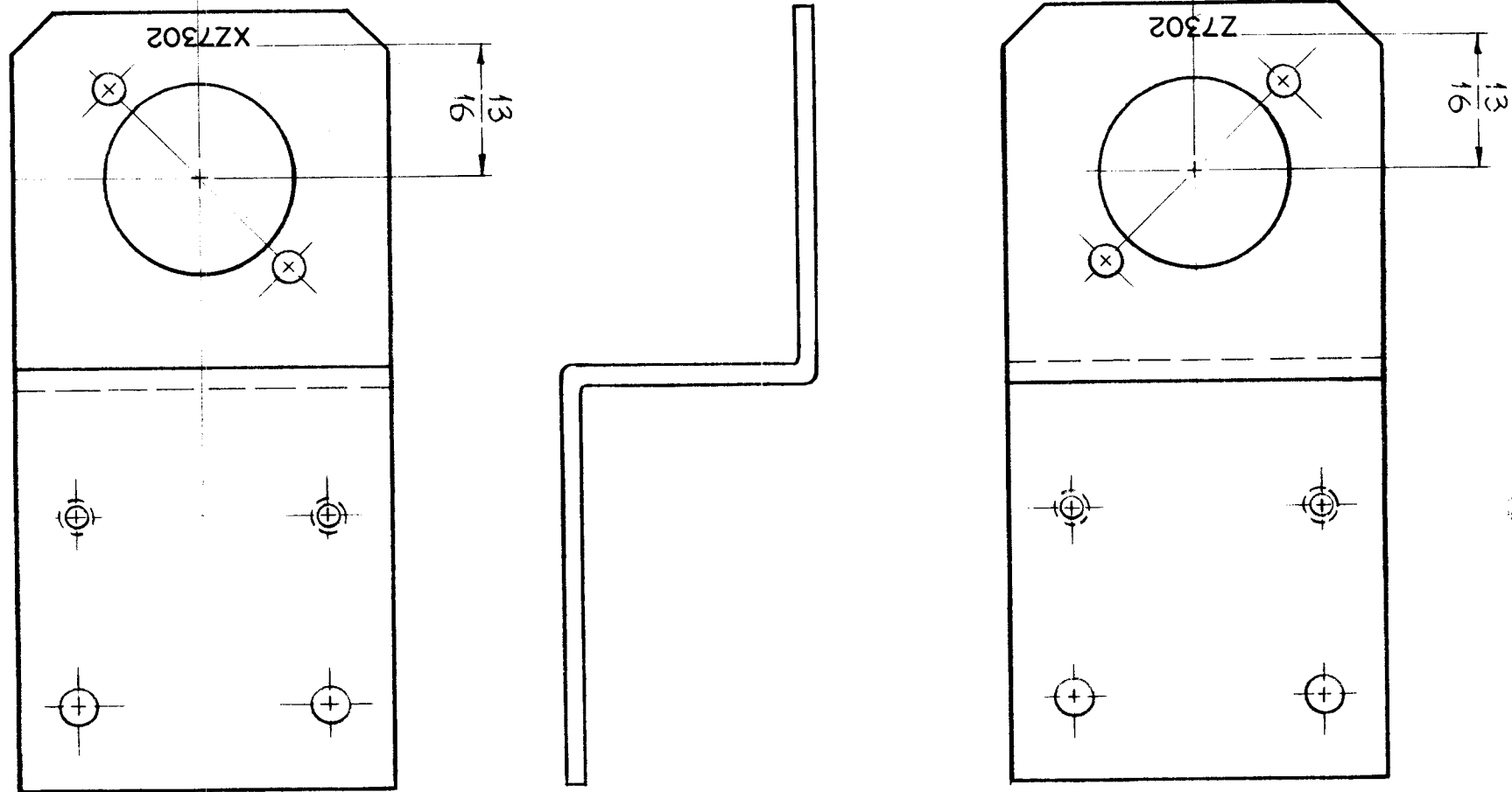


MARKING PROCESS: AS PER TMC SPECIFICATION S-77

ALL LETTERING 1/8" HIGH BLACK GOTHIC

REQ. PER UNIT 1	USED ON			LD-834
	MODEL GPT 40K	ASS'Y. NO. AX-209	DATE 10-18-60	



REF~ TMC DWG NO. MS-2167 (1)

ISSUE	ITEM	CHANGED FROM	DATE	CH. NO.	DRAFTS	CHECKER	ENG. APP.	REQ.	ITEM	PART NO.	DESCRIPTION	SYMBOL	
											THE TECHNICAL MATERIEL CORP. MAMARONECK, NEW YORK LETTERING, PLATE BRACKET METERING CIRCUIT		
TOLERANCES			SCALE: FULL, Do NOT SCALE					MATERIAL		J.C. Biele			
DEC. DIM. ±			MAXIMUM ALLOWABLE TOLERANCES HAVE BEEN DETERMINED AND ANY DEVIATIONS WILL BE CAUSE FOR REJECTION. REMOVE ALL BURRS AND SHARP EDGES					TYPE & TEMPER		DRAWN			
FRAC. DIM. ±								HEAT TREAT. SPEC.		CHECKED		FINAL APPR VAL	
ANGULAR DIM. ±			FINISH & SPEC. NO.		ELEC. DES. APP		MECH. DES. APP		LD-834				