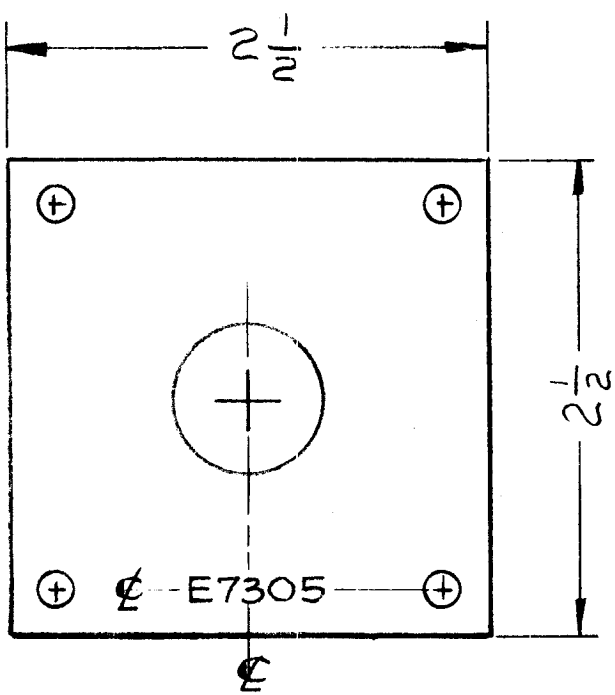


REQ. PER UNIT	USED ON		DATE	LD-792
	MODEL	ASBY. NO.		
2	GPT-40K	AX 209	9-28-60	



MARKING PROCESS:
AS PER TMC SPEC S-727.
LETTERING TO BE 1/8 HIGH
BLACK GOTHIC

PX-555 (1)

ISSUE	ITEM	CHANGED FROM	DATE	CH. NO.	DRAFTS	CHECKER	ENG. APP.	REQ.	ITEM	PART NO.	DESCRIPTION	SYMBOL	
											THE TECHNICAL MATERIEL CORP. MAMARONECK, NEW YORK LETTERING, PLATE, FEED THRU.		
										STOCK SIZE			
										MATERIAL			
											Ruzzo J. Buile J. B.		
TOLERANCES			SCALE: (DO NOT SCALE)										
DEC. DIM. ± FRAC. DIM. ± 1/64 ANGULAR DIM. ±			MAXIMUM ALLOWABLE TOLERANCES HAVE BEEN DETERMINED AND ANY DEVIATIONS WILL BE CAUSE FOR REJECTION. REMOVE ALL BURRS AND SHARP EDGES										
											DRAWN CHECKED ELEC. DES. APP MECH. DE . APP	LD-792	
										FINISH & SPEC. NO.			