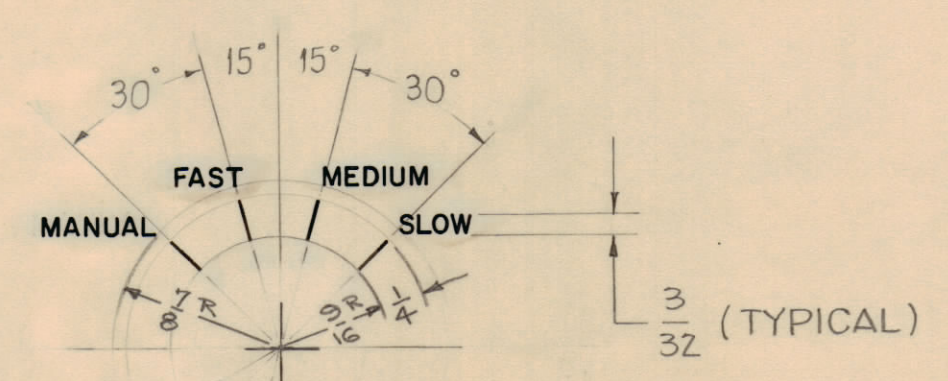
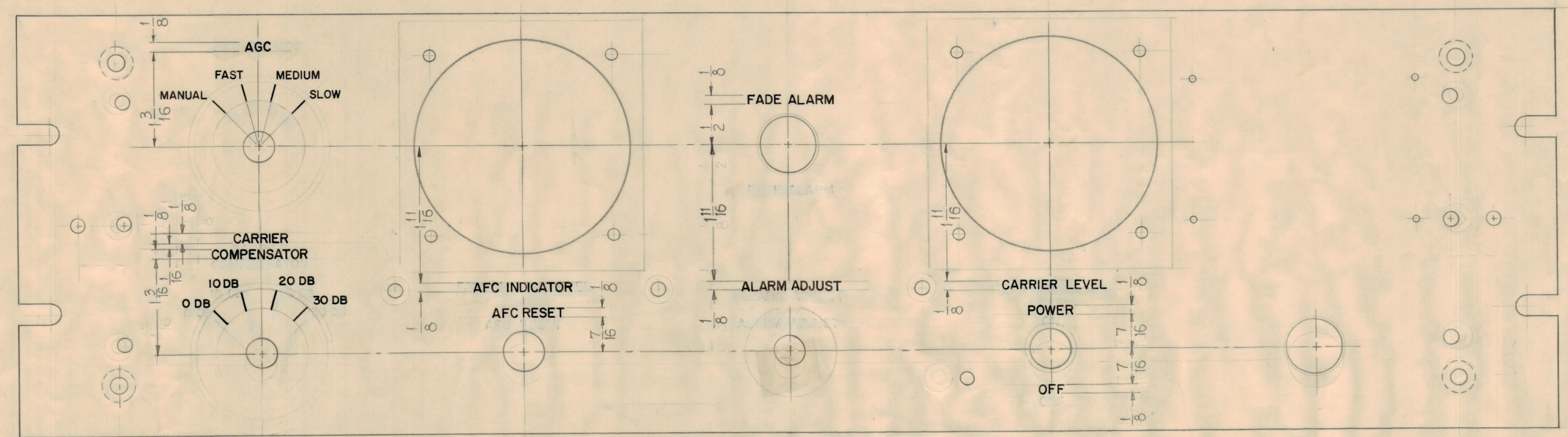


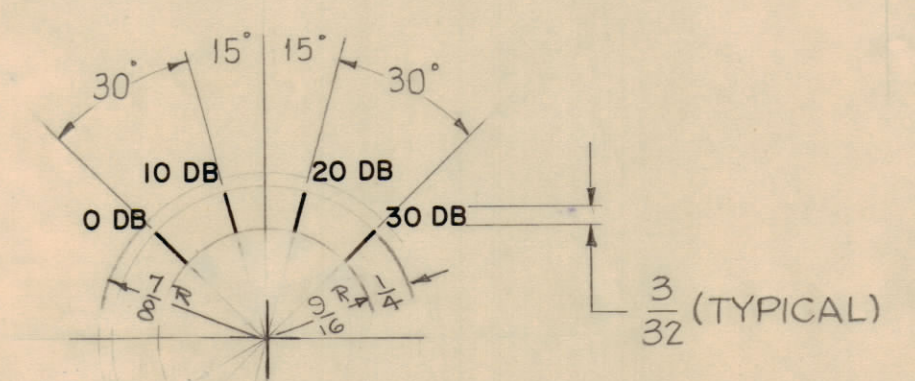
NOTICE TO PERSONS RECEIVING THIS DRAWING
 THE TECHNICAL MATERIEL CORPORATION claims proprietary right in the material disclosed herein. This drawing is issued in confidence for engineering information only and may not be reproduced or used to manufacture anything shown hereon without permission from THE TECHNICAL MATERIEL CORPORATION to the user. This drawing is loaned for mutual assistance and is subject to recall at any time.
 Property of:
 THE TECHNICAL MATERIEL CORPORATION
 MAMARONECK, NEW YORK



ANGLE DISPLACEMENT
AGC SELECT



FRONT VIEW OF PANEL SHOWN
(TO BE ENGRAVED)
PER TMC SPEC-5566



ANGLE DISPLACEMENT,
CARRIER COMPENSATOR

NOTES ~
 1~ ENGRAVING TO BE GOTHIC, WHITE FILLED, SIZES SHOWN ON CHART.
 2~ ALL LETTER GROUPS TO BE CENTERED ON HOLES.

HEIGHT OF LETTER	DEPTH OF LETTER	WIDTH OF STROKE
3/32	.010	.015
1/8	.010	.020

REF - TMC DWG. NO. - MS-2325 (MACHINING)

ISSUE NO.	DESCRIPTION	DATE	CH. NO.	DRAFTS	CHECKER	ENG. APP.
1	SHEET #2 Added	4-7-61	4596	RU		

TOLERANCES
 DEC. DIM. ± 1/64
 FRAC. DIM. ± 1/64
 ANGULAR DIM. ±

SCALE: FULL-DO NOT SCALE-
 MAXIMUM ALLOWABLE TOLERANCES HAVE BEEN DETERMINED AND ANY DEVIATIONS WILL BE CAUSE FOR REJECTION.
 REMOVE ALL BURRS AND SHARP EDGES

REQ PER UNIT	MODEL	SECTION	ABSY. NO.	DATE
1	AFC-1			7-7-60

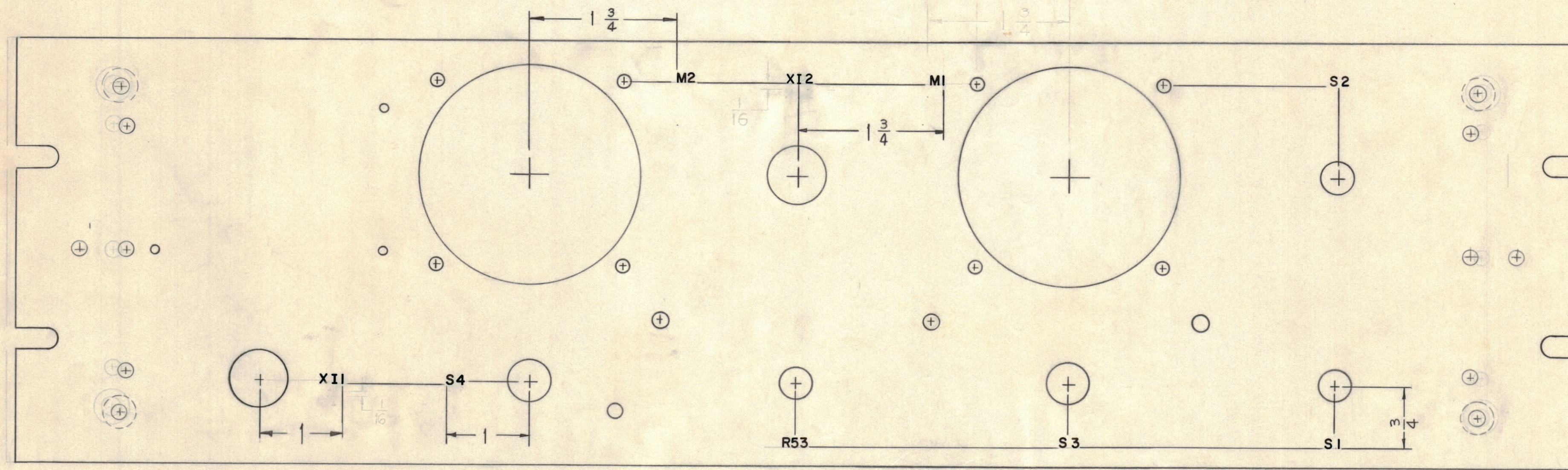
REQ. ITEM	PART NO.	DESCRIPTION	SYMBOL
		THE TECHNICAL MATERIEL CORP. MAMARONECK, NEW YORK	
		ENGRAVING, FRONT PANEL	
		FRONT	
		John C. Biele	
		DRAWN	ELEC. DES. APP. MECH. DES. APP.
		CHECKED	FINAL APPROVAL
			LD-757 A

LD-757 A

NOTICE TO PERSONS RECEIVING THIS DRAWING

THE TECHNICAL MATERIEL CORPORATION claims proprietary right in the material disclosed herein. This drawing is issued in confidence for engineering information only and may not be reproduced or used to manufacture anything shown herein without permission from THE TECHNICAL MATERIEL CORPORATION to the user. This drawing is loaned for mutual assistance and is subject to recall at any time.

Property of:
THE TECHNICAL MATERIEL CORPORATION
MAMARONECK, NEW YORK



REAR VIEW OF PANEL SHOWN
(TO BE SILK SCREENED)
OR EQUIVALENT
PER TMC SPEC. S-566

ALL LETTERING TO BE 1/8 HIGH BLACK GOTHIC,
CENTERED ON HOLES UNLESS OTHERWISE SPECIFIED.

MARKING PROCESS: AS PER TMC SPECIFICATION S-727

LD-757 A

REF. MS-2325

A		Dwg. Made as 2 nd Sheet of (LD-757)		4-7-61	4596	R. Uzio		
SYM	ZONE	DESCRIPTION	DATE	CH. NO.	DRAFTS	CHECKER	ENG. APP.	
UNLESS OTHERWISE SPECIFIED:			SCALE					
DIMENSIONS ARE IN INCHES			MAXIMUM ALLOWABLE TOLERANCES HAVE BEEN DETERMINED AND ANY DEVIATIONS WILL BE CAUSE FOR REJECTION. REMOVE ALL BURRS & SHARP EDGES					
TOLERANCES ON								
FRACTIONS ± 1/64			DECIMALS ± .005			ANGLES ± 1/2°		

REQ. ITEM	PART NO.	DESCRIPTION	SYMBOL
		THE TECHNICAL MATERIEL CORP. MAMARONECK, NEW YORK	
		LETTERING, FRONT PANEL	
		REAR	
		UZZO	
		DRAWN	CHECKED
		DATE	FINAL APPROVAL
		LD-757 A	
		SHEET 2 OF 2	

1	AFC-1			4-7-61
REQ. PER UNIT	MODEL	SECTION	ASS'Y. NO.	DATE
USED ON				
FINISH & SPEC. NO.				