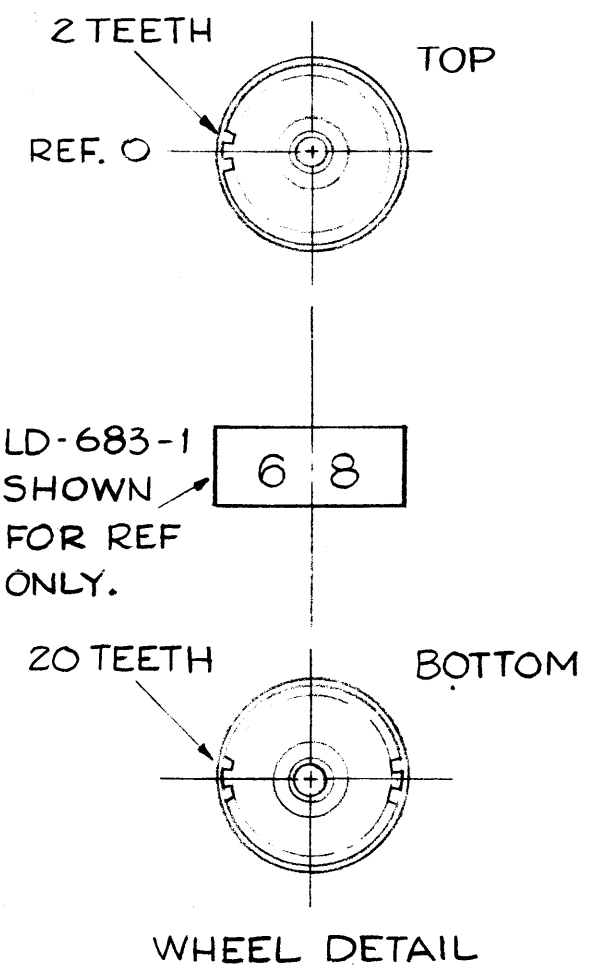
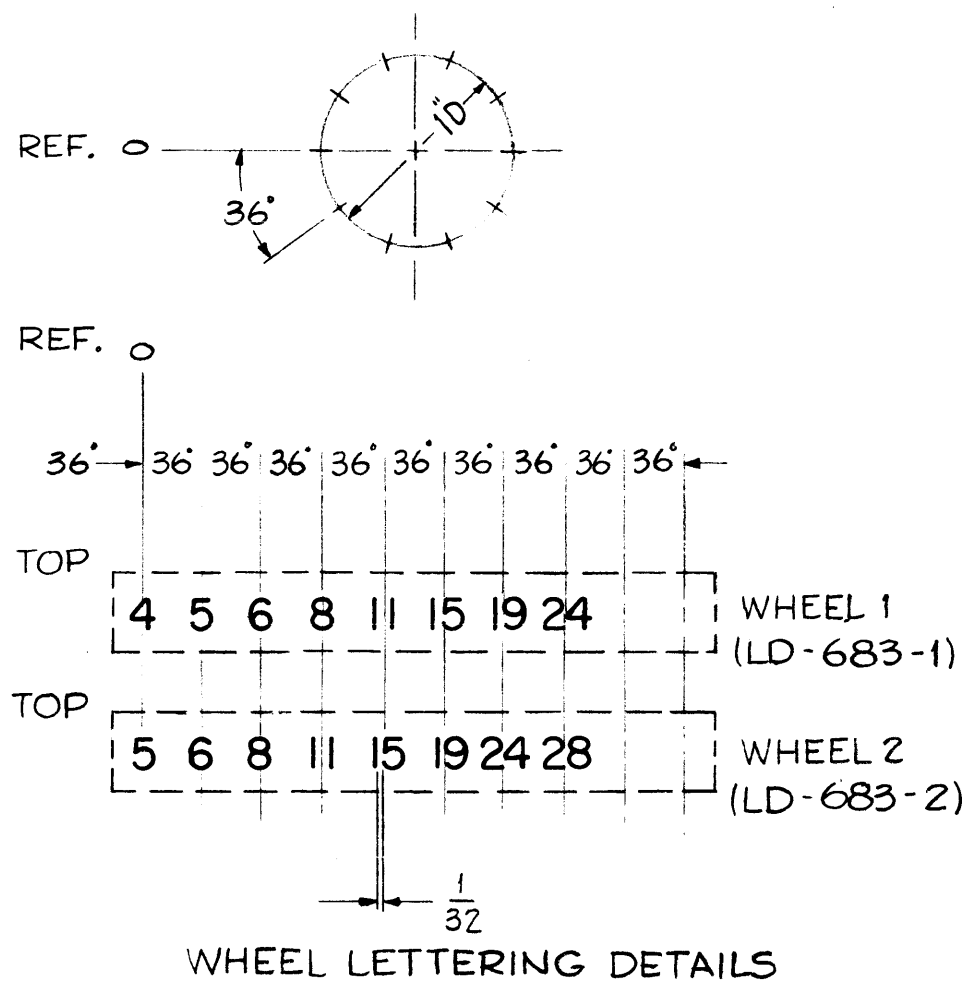


LD-683 A



NOTES ~

- 1 ~ FIGURES ~ 18 POINT ALTERNATE BLACK GOTHIC NO. 2.
- 2 ~ BACKGROUND ~ WHITE
- 3 ~ SPACING ~ DOUBLE FIGURES 1/32 APART, SINGLE FIGURES CENTERED ON 36° ϕ .
- 4 ~ USE DWG LD-617 FOR 3RD WHEEL.

"NO LONGER USED"
 REPLACED BY LD-978 ON 2-28 MC 40K XMTRS, BUT MAY BE USED FOR SPARE PARTS ON 4-28MC XMTRS.

NOTICE TO PERSONS RECEIVING THIS DRAWING

THE TECHNICAL MATERIEL CORPORATION claims proprietary right in the material disclosed hereon. This drawing is issued in confidence for engineering information only and may not be reproduced or used to manufacture anything shown hereon without permission from THE TECHNICAL MATERIEL CORPORATION to the user. This drawing is loaned for mutual assistance and is subject to recall at any time.

Property of:
 THE TECHNICAL MATERIEL CORPORATION
 MAMARONECK, NEW YORK

FOR TMC USE ~
 USE BLANK WHEEL OF CY106 AFTER DISASSEMBLING AS PER STEPS 1 & 2 OF TMC DWG A-1820(4)

ISSUE	ITEM	CHANGED FROM	DATE	CH. NO.	DRAFTS	CHECKER	ENG. APP.
A	1	"NO LONGER USED" NOTE ADDED	11/6/61	5848	Jm	Qa	Qa
TOLERANCES			SCALE:				
DEC. DIM. \pm			MAXIMUM ALLOWABLE TOLERANCES HAVE BEEN DETERMINED AND ANY DEVIATIONS WILL BE CAUSE FOR REJECTION. REMOVE ALL BURRS AND SHARP EDGES				
FRAC. DIM. \pm							
ANGULAR DIM. \pm							

1	AX 209	GPT 40K	AC 109,	1 ~ 22 ~ 60
REQ. PER UNIT	MODEL	PROJECT NO.	ASS'Y. NO.	DATE
USED ON				

REQ. ITEM	PART NO.	DESCRIPTION	SYMBOL
		THE TECHNICAL MATERIEL CORP. MAMARONECK, NEW YORK	
STOCK SIZE		LETTERING, WHEELS, AC 109	
MATERIAL		ASS'Y	
		J.C. Biele	JR
TYPE & TEMPER		DRAWN	CHECKED
HEAT TREAT. SPEC.		FINAL APPROVAL	
FINISH & SPEC. NO.		ELEC. DES. APP.	MECH. DES. APP.
		LD-683 A	