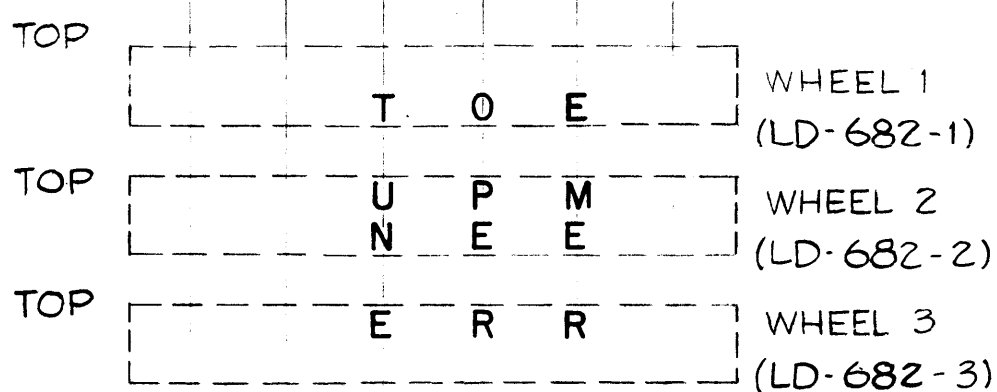
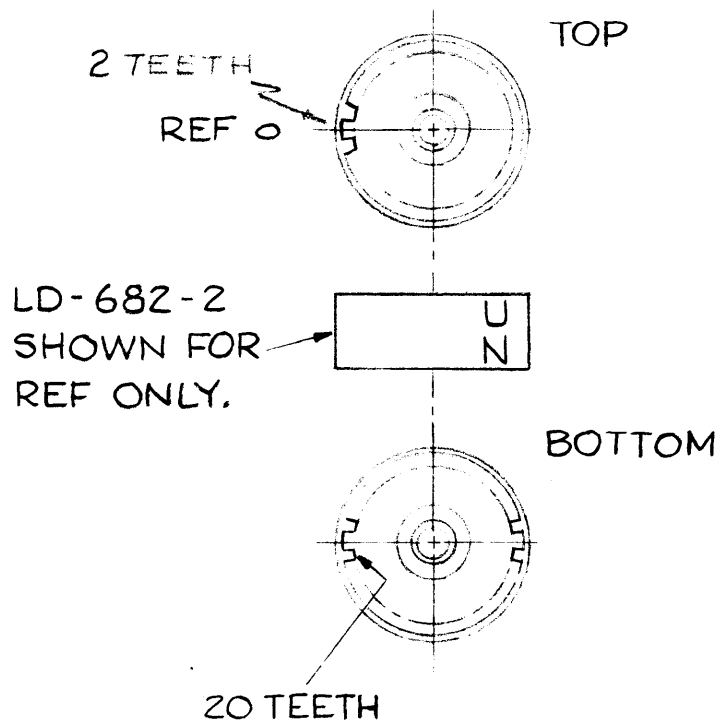
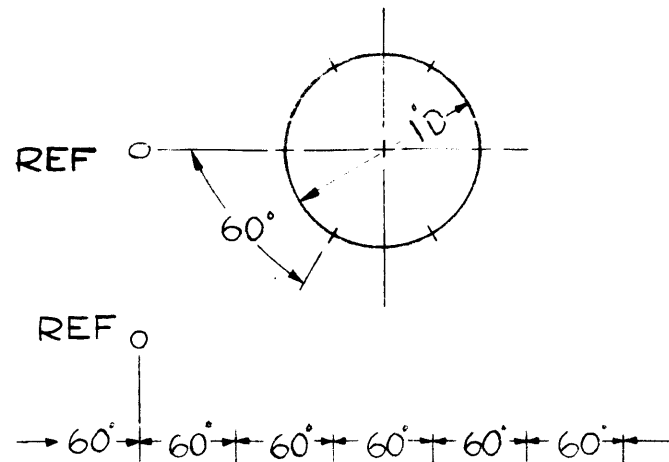


LD 682 B



WHEEL LETTERING DETAILS

NOTES ~
 LETTERS ~ 14 POINT BLACK GOTHIC.
 BACKGROUND ~ WHITE
 SPACING ~ SINGLE LETTERS CENTERED
 ON 60° \angle .

NOTICE TO PERSONS RECEIVING THIS DRAWING

THE TECHNICAL MATERIEL CORPORATION claims proprietary right in the material disclosed hereon. This drawing is issued in confidence for engineering information only and may not be reproduced or used to manufacture anything shown hereon without permission from THE TECHNICAL MATERIEL CORPORATION to the user. This drawing is loaned for mutual assistance and is subject to recall at any time.

Property of:
 THE TECHNICAL MATERIEL CORPORATION
 MAMARONECK, NEW YORK

FOR TMC USE ~
 USE BLANK WHEELS OF CY106 AFTER
 DISASSEMBLING AS PER STEPS 1 & 2
 OF TMC DWG A 3116-6

DELE. SUPERSEDED NOTE REF. NOTE DWG NO. WAS A1821(4)	1-19-67	17696	RME	<i>[Signature]</i>			
SUPERSEDED NOTE ADDED	5-15-63	8971	<i>[Signature]</i>	<i>[Signature]</i>			
ISSUE	ITEM	CHANGED FROM	DATE	CH. NO.	DRAFTS	CHECKER	ENG. APP.
TOLERANCES		SCALE:					
DEC. DIM. \pm		MAXIMUM ALLOWABLE TOLERANCES HAVE BEEN DETERMINED AND ANY DEVIATIONS WILL BE CAUSE FOR REJECTION.					
FRAC. DIM. \pm		REMOVE ALL BURRS AND SHARP EDGES					
ANGULAR DIM. \pm							

1	AX-209	GPT 40K	AC-108	1-22-60
REQ. PER UNIT	MODEL	PROJECT NO.	ASSY. NO.	DATE
USED ON				

REQ. ITEM	PART NO.	DESCRIPTION	SYMBOL
		THE TECHNICAL MATERIEL CORP. MAMARONECK, NEW YORK	
STOCK SIZE		LETTERING, WHEELS, AC108	
MATERIAL		ASSY	
TYPE & TEMPER		HEAT TREAT. SPEC.	J.C. Biele
DRAWN		CHECKED	<i>[Signature]</i>
FINISH & SPEC. NO.		ELEC. DES. APP.	MECH. DES. APP.
		LD 682 B	