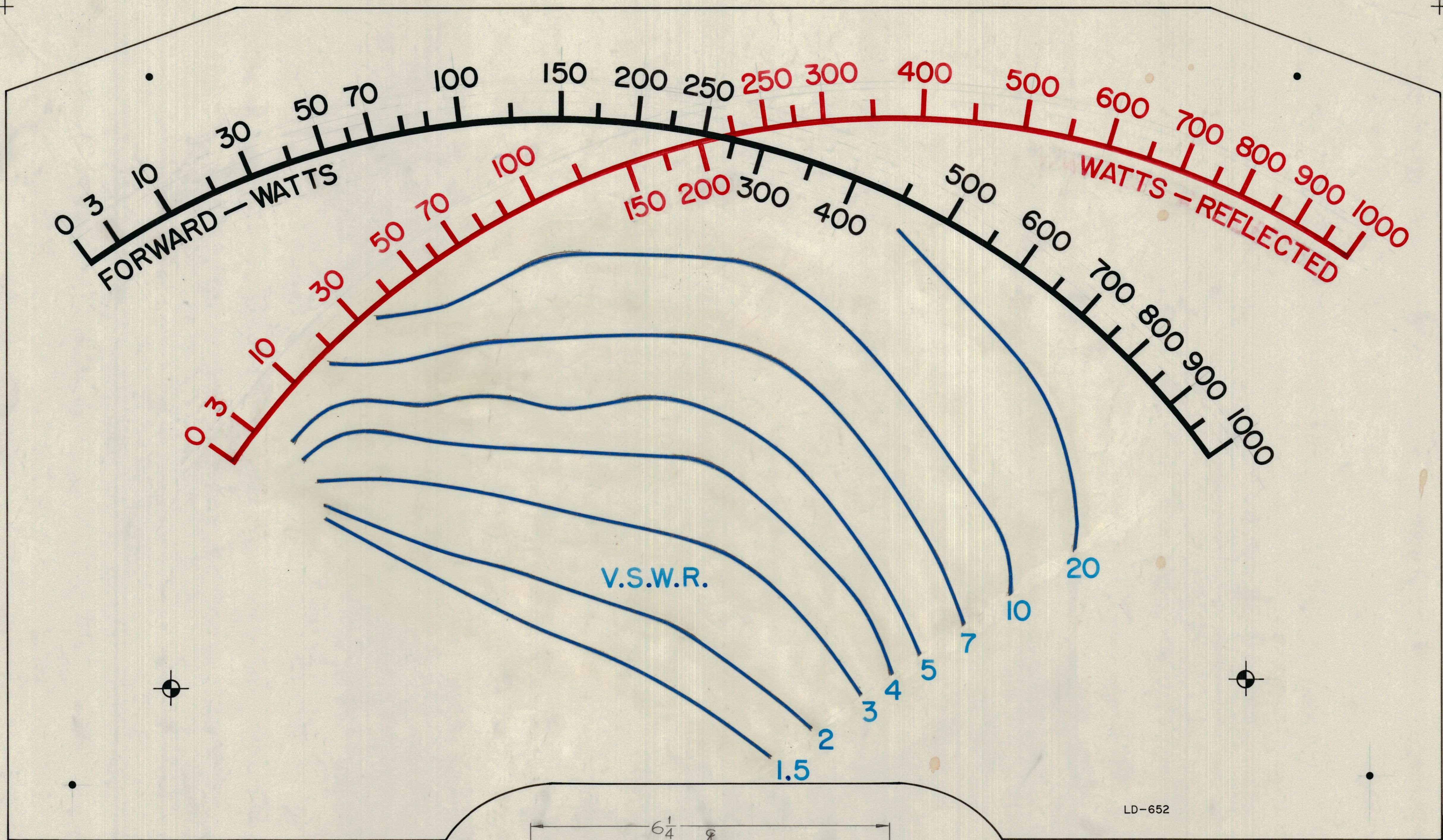
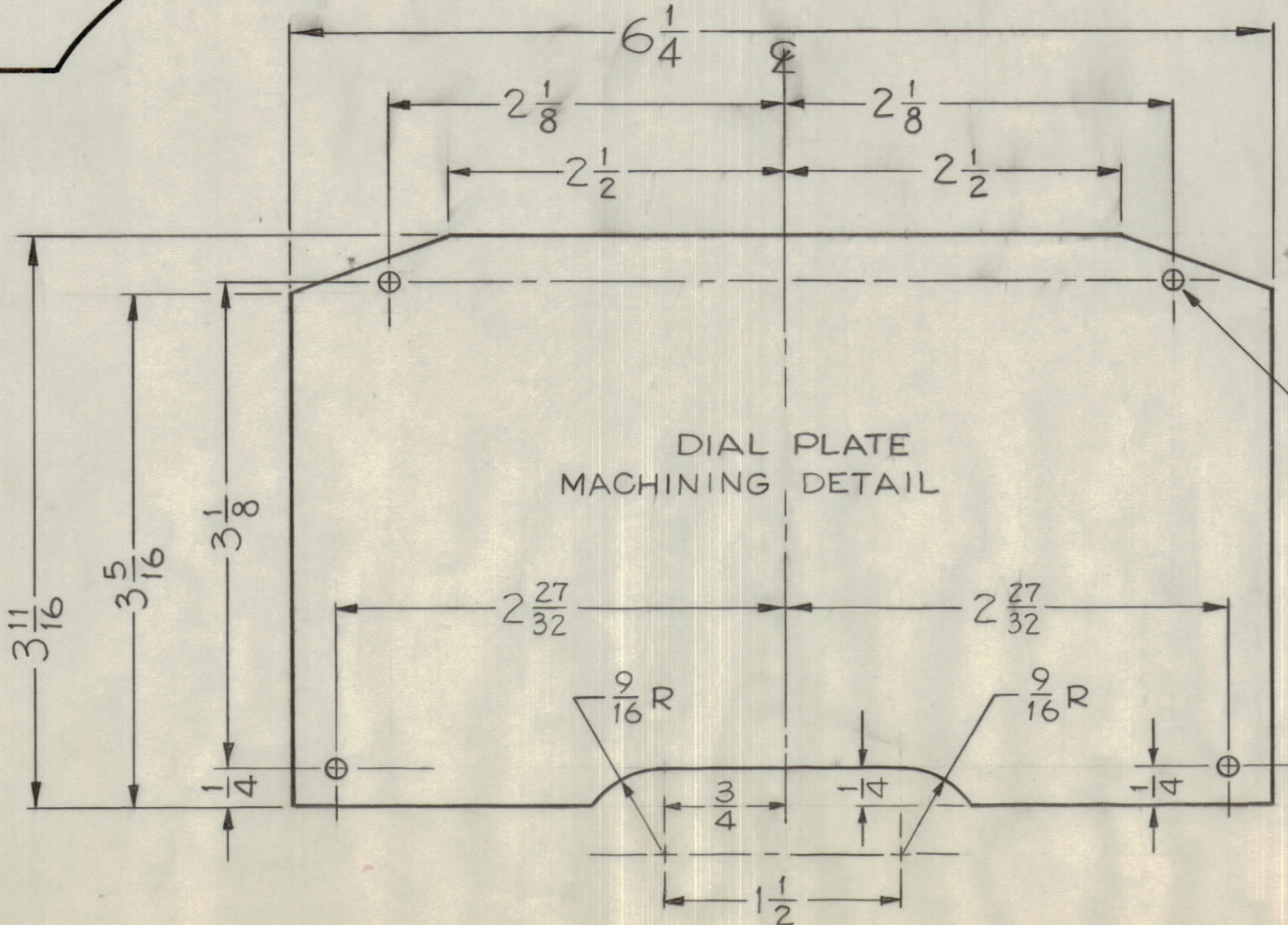


IF IT IS FOUND DESIRABLE TO CHANGE ANY TOLERANCE OR OTHER DETAIL SPECIFIED ON THIS DRAWING NOTIFY THE PURCHASER PROMPTLY.
 MAXIMUM ALLOWABLE TOLERANCES HAVE BEEN DETERMINED AND DEVIATIONS WILL BE CAUSE FOR REJECTION. REMOVE ALL BURRS AND SHARP EDGES



- NOTES ~
- 1-DIAL TO BE MADE IN THREE COLORS AS SHOWN RED, BLUE AND BLACK. (REF-SEE NOTE 5)
 - 2-DRAWING SCALE 4 TIMES TRUE SIZE (3 11/16 X 6 1/4)
 - 3-REDUCTION MUST BE DONE ACCURATELY AND WITHOUT DISTORTION.
 - 4-DIAL MACHINING TO BE MADE FROM DETAIL AS SHOWN.
 - 5-WHITE ENAMEL BACKGROUND. LITHOGRAPH BLACK, BLUE AND RED TOP COATED EPOXY, CLEAR LACQUER.



**OBSOLETE
 SUPERSEDED
 REPLACED BY
 LD 381**

NOTICE TO PERSONS RECEIVING THIS DRAWING
 THE TECHNICAL MATERIEL CORPORATION claims proprietary right in the material disclosed hereon. This drawing is issued in confidence for engineering information only and may not be reproduced or used to manufacture any time shown hereon without permission from THE TECHNICAL MATERIEL CORPORATION to the user. This drawing is loaned for mutual assistance and is subject to recall at any time.
 Property of:
 THE TECHNICAL MATERIEL CORPORATION
 MAMARONECK, NEW YORK

A	ADD OBSOLETE NOTE	6/19/59	20742	GE	EG	EG
ISSUE	ITEM	CHANGED FROM	DATE	CN. NO.	DRAFTS	CHECKER
TOLERANCES			SCALE: 4X			
ALL OTHERS	DEC. DIM. ±	FRAC. DIM. ±	ANGULAR DIM. ±	DRILL, PUNCH, COMMERCIAL STOCK SIZES AND MANUFACTURERS TOLERANCES ARE NOT INCLUDED.		

1	SWR-1000	PROJECT NO.	ABSY. NO.	12-18-59	DATE
REQ PER UNIT	MODEL	PROJECT NO.	ABSY. NO.	DATE	

REQ. ITEM	PART NO.	DESCRIPTION	SYMBOL
.020		THE TECHNICAL MATERIEL CORP. MAMARONECK, NEW YORK	
ALUMINUM		DIAL FACE, METER	
1100-H-14		MODEL SWR1000	
TYPE & TEMPER	John C. Biele	ELEC. DES. APP.	MECH. DES. APP.
HEAT TREAT. SPEC.	Checked	FINAL APPROVAL	
SEE NOTE			LD-652 A
FINISH & SPEC. NO.			

LD-652 A