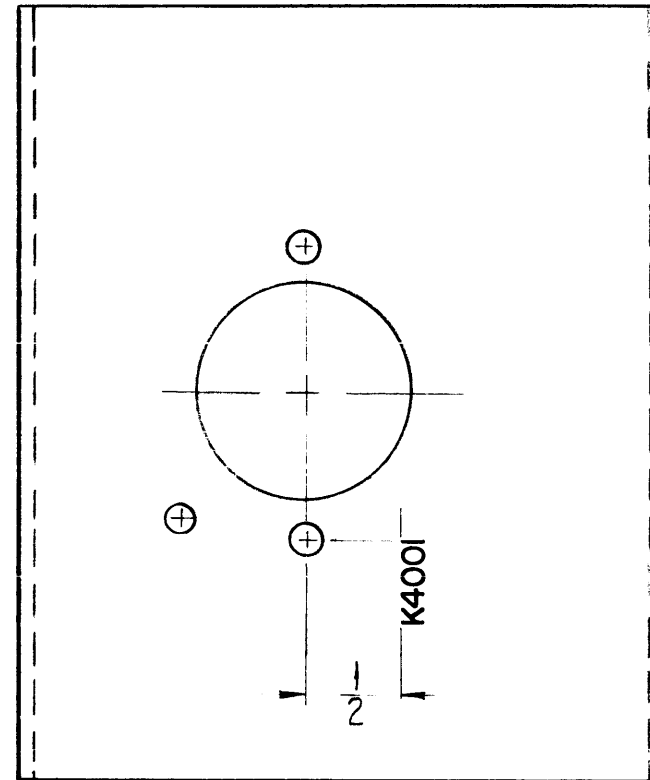
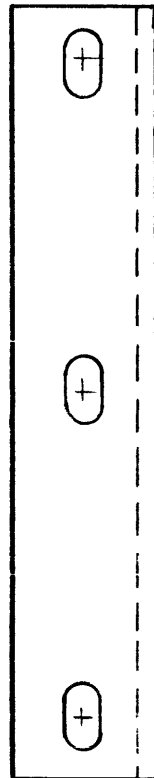
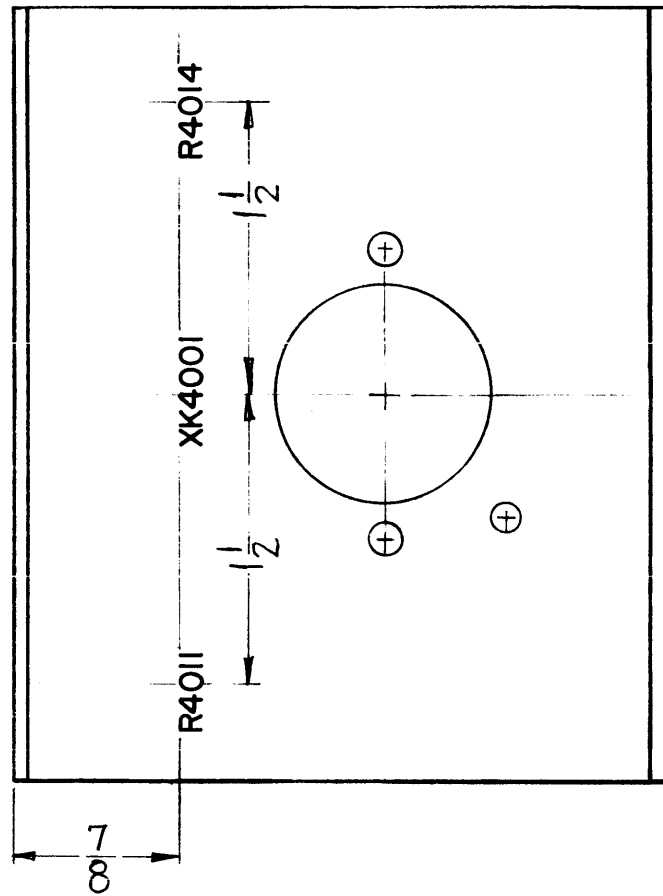


LD-638



NOTICE TO PERSONS RECEIVING THIS DRAWING

THE TECHNICAL MATERIEL CORPORATION retains proprietary right in the material disclosed herein. This drawing is issued in confidence for your information only and may not be reproduced or used to manufacture anything shown hereon without permission from THE TECHNICAL MATERIEL CORPORATION to the user. This drawing is loaned for your assistance and is subject to recall at any time.

Property of:

THE TECHNICAL MATERIEL CORPORATION  
MAMARONECK, NEW YORK

NOTE ~ ALL LETTERING 1/8 HIGH BLACK GOTHIC.

MARKING PROCESS: AS PER T M C SPECIFICATION S-727

REF. MS-1911(2)

SYM	DESCRIPTION	DATE	CH. NO.	DRAFTS	CHECKER	ENG. APP.
UNLESS OTHERWISE SPECIFIED:		SCALE: <i>1-1</i>				
DIMENSIONS ARE IN INCHES		MAXIMUM ALLOWABLE TOLERANCES HAVE BEEN DETERMINED AND ANY DEVIATIONS WILL BE CAUSE FOR REJECTION.				
TOLERANCES ON FRACTIONS ± 1/64 DECIMALS ± .005 ANGLES ± 1/2°		REMOVE ALL BURRS AND SHARP EDGES				

REQ. PER UNIT	MODEL	SECTION	ASS'Y. NO.	DATE
1	AK-100			6-1-61
1	ISK			6-1-61
USED ON				

REQ.	ITEM	PART NO.	DESCRIPTION	SYMBOL
			THE TECHNICAL MATERIEL CORP. MAMARONECK, NEW YORK	
STOCK SIZE			LETTERING, BRACKET, RELAY	
MATERIAL				
			DRAWN <i>DD Mamm</i>	CHECKER <i>JDe</i>
			FINAL APPROVAL <i>[Signature]</i>	
FINISH & SPEC. NO.			ELEC. DES. APP.	MECH. DES. APP.
			LD-638	