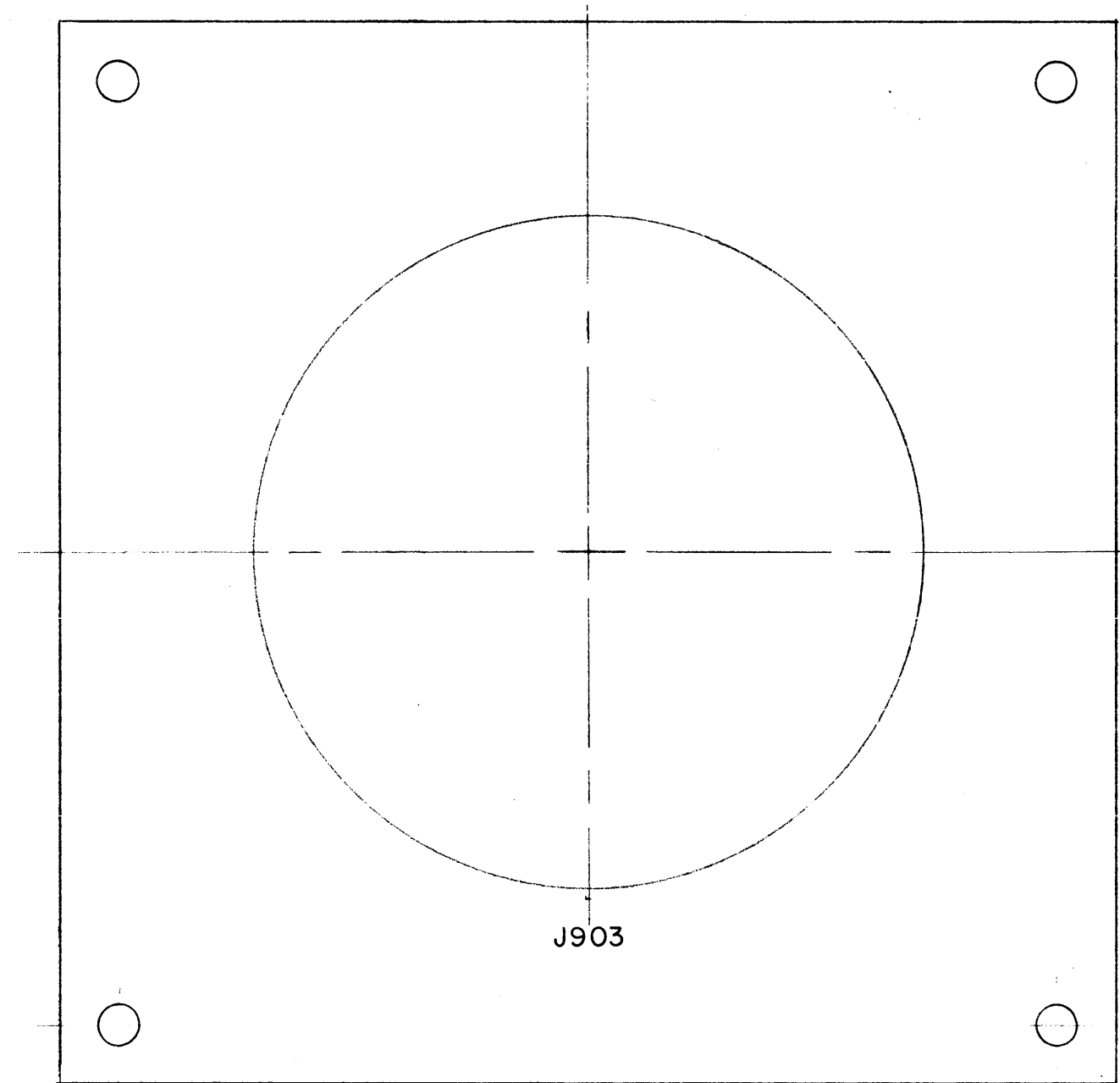


LD-595 A



NOTICE TO PERSONS RECEIVING THIS DRAWING

THE TECHNICAL MATERIEL CORPORATION claims proprietary right in the material disclosed hereon. This drawing is issued in confidence for engineering information only and may not be reproduced or used to manufacture anything shown hereon without permission from THE TECHNICAL MATERIEL CORPORATION to the user. This drawing is loaned for mutual assistance and is subject to recall at any time.

Property of:  
**THE TECHNICAL MATERIEL CORPORATION**  
 MAMARONECK, NEW YORK

J903

ALL LETTERING 1/8 BLACK GOTHIC.

REF: MS-1666 (2)

ISSUE	ITEM	CHANGED FROM	DATE	CH. NO.	DRAFTS	CHECKER	ENG. APP.
A	1	PICTORIAL CLARIFIED	12-27-61	6100	A.A.	<i>[Signature]</i>	<i>[Signature]</i>
TOLERANCES		SCALE: FULL					
DEC. DIM. ±		MAXIMUM ALLOWABLE TOLERANCES HAVE BEEN DETERMINED AND ANY DEVIATIONS WILL BE CAUSE FOR REJECTION. REMOVE ALL BURRS AND SHARP EDGES					
FRAC. DIM. ±							
ANGULAR DIM. ±							

REQ. PER UNIT	MODEL	PROJECT NO.	ASS'Y. NO.	DATE
1	GPT-10K	T1-101		
USED ON				

REQ. ITEM	PART NO.	DESCRIPTION	SYMBOL
		THE TECHNICAL MATERIEL CORP. MAMARONECK, NEW YORK	
	STOCK SIZE	LETTERING, UNBAL. OUTPUT CONN. PLATE (T1-101)	
	MATERIAL		
	TYPE & TEMPER	HEAT TREAT. SPEC.	
	FINISH & SPEC. NO.	ELEC. DES. APP.	MECH. DES. APP.
		<i>[Signature]</i>	<i>[Signature]</i>
			LD-595