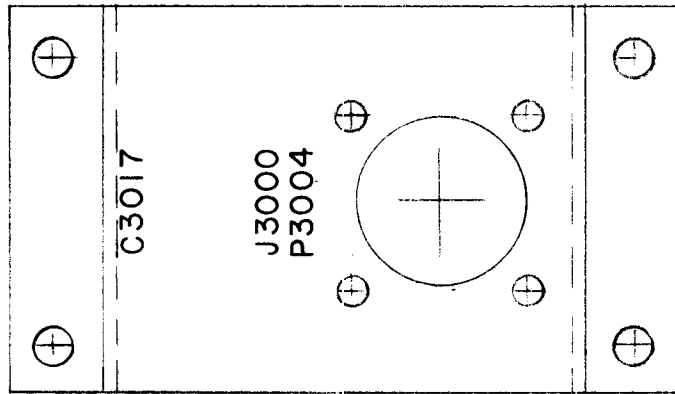
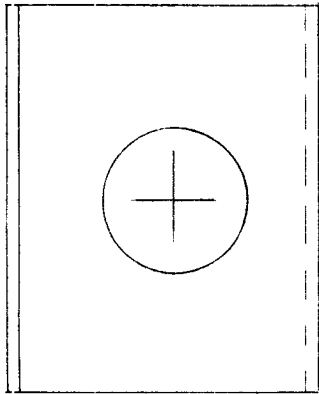
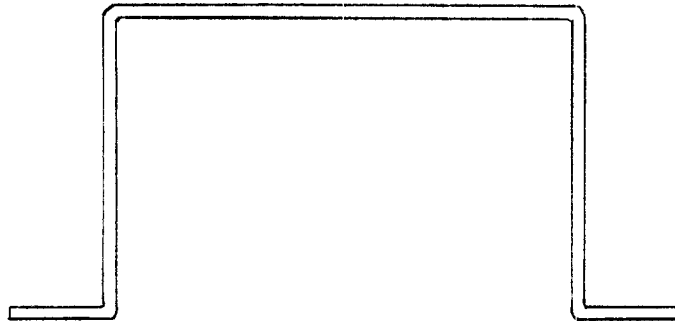


REQ. PER. UNIT	USED ON			LD-547
	MODEL	ASSY. NO.	DATE	
1	GPT-1DK	AX-112	5-5-59	



MARKING PROCESS:  
AS PER TMC SPEC S-727.  
ALL LETTERING 1/8 HIGH  
BLACK GOTHIC.



Ref-MS-1611 (2)

ISSUE	ITEM	CHANGED FROM	DATE	CH. NO.	DRAFTS	CHECKER	ENG. APP.	REQ.	ITEM	PART NO.	DESCRIPTION	SYMBOL
											THE TECHNICAL MATERIEL CORP. MAMARONECK, NEW YORK	
											LETTERING, BOTTOM FAN	
											CAPACITOR BRACKET (AX-112)	
											16 <sup>5/5</sup> /59	
											FINAL APPROVAL	
												LD-547