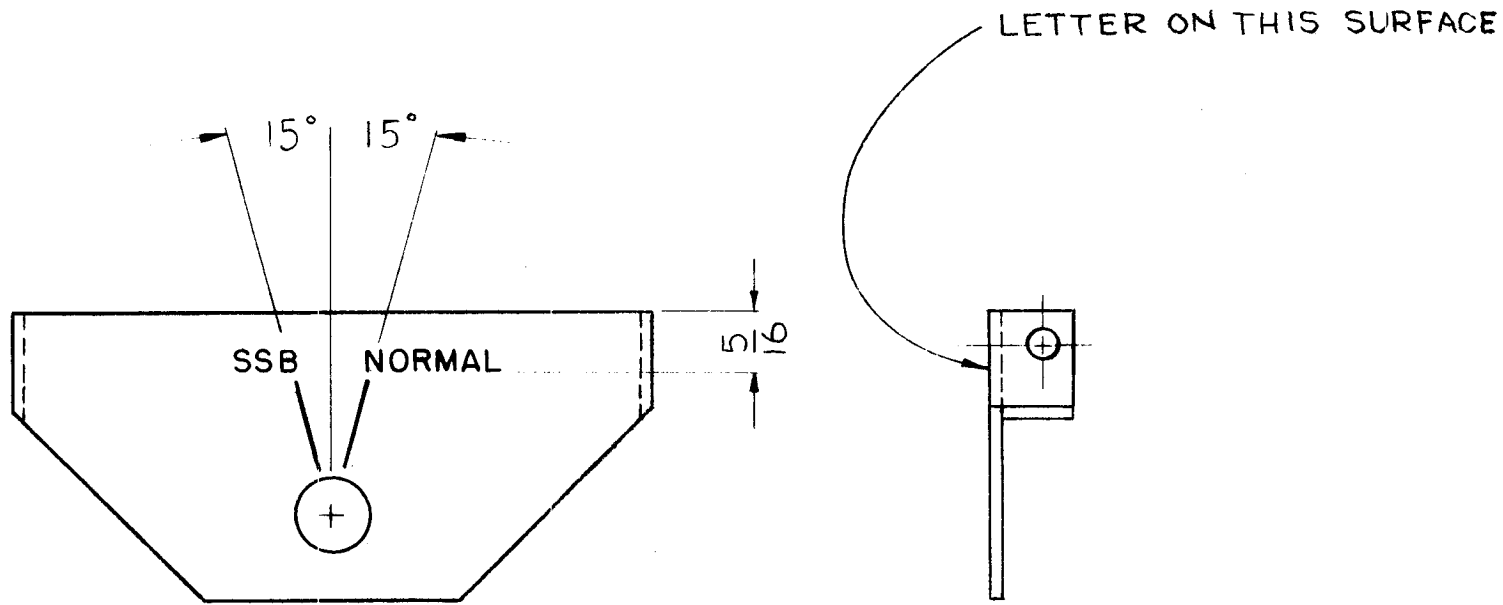


REQ. PER UNIT	USED ON			LD-474
	MODEL	ASS'Y. NO.	DATE	
1	RTF-2	MULT.	11-21-58	



MARKING PROCESS: AS PER T M C SPECIFICATION S-727.

LETTERING: 1/8 HIGH BLACK, GOTHIC
LOCATED AS SHOWN.

REF: MS-1417

REQ.	ITEM	PART NO.	DESCRIPTION		SYMBOL							
			THE TECHNICAL MATERIEL CORP.									
			MAMARONECK, NEW YORK									
			LETTERING									
			BRACKET, SWITCH SUPPORT									
ISSUE	ITEM	CHANGED FROM	DATE	CH. NO.	DRAFTS	CHECKER	ENG. APP.	MATERIAL	J.C. BIELE			
TOLERANCES			SCALE:				TYPE & TEMPER		HEAT TREAT. SPEC.	DRAWN	CHECKED	FINAL APPR VAL
DEC. DIM. ±			MAXIMUM ALLOWABLE TOLERANCES HAVE BEEN DETERMINED AND ANY DEVIATIONS WILL BE CAUSE FOR REJECTION: REMOVE ALL BURRS AND SHARP EDGES				FINISH & SPEC. NO.		ELEC. DES. APP	MECH. DES. APP	LD-474	
FRAC. DIM. ±							ELEC. DES. APP		MECH. DES. APP			
ANGULAR DIM. ±												