

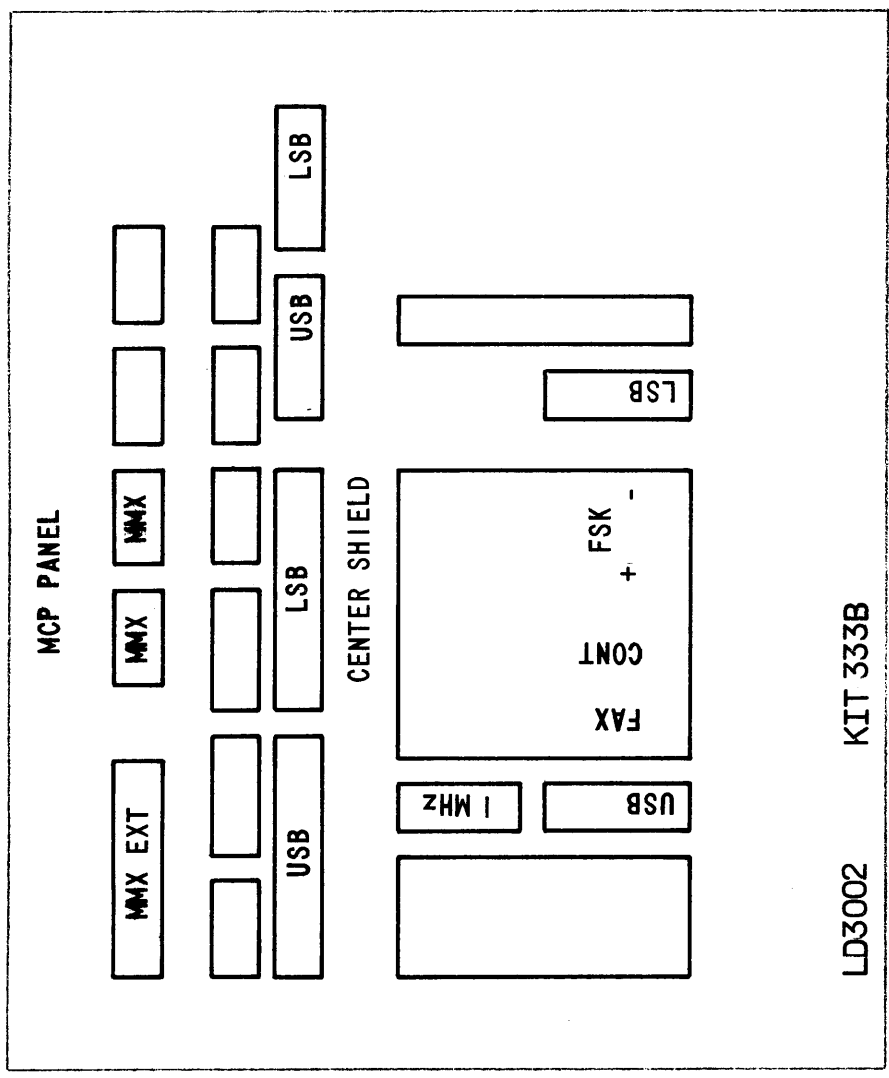
5 4 3 2 1

D

C

B

A



| ZONE | LTR | DESCRIPTION | DATE | E.M.N.NO | DRAFT | CHKD | APPD |
|------|-----|-------------|---------|----------|-------|------|------|
| | Ø | ORIGINAL | 8/27/78 | | | Ø | |

REVISIONS

NOTES:

1. ALL LETTERING & ARTWORK TO BE BLACK ON ALUMINUM BACKGROUND WITH ADHESIVE BACKING.
2. REPRODUCTION METHOD: AS PER TMC SPEC S1222.

| REQ'D ITEM | PART NUMBER | DESCRIPTION | SYM. |
|------------|-------------|------------------|------|
| | | LIST OF MATERIAL | |

FINAL APPROVAL DATE 2/28/79
 MECH. DES. [Signature]
 ELECT. DES. [Signature]
 CHECKED [Signature]
 DRAWN [Signature] 12/23/69

UNLESS OTHERWISE SPECIFIED DIMENSIONS ARE IN INCHES AND INCLUDE CHEMICALLY APPLIED OR PLATED FINISHES

DECIMALS: .X ± .05
 .XX ± .01
 .XXX ± .005

FRACTIONS: 1/64
 TOLS. ANGLES
 0° .30'

MATERIAL
 FINISH

| | | | |
|------------|----------|---------------------------|----------|
| 1 | KIT 333B | MODEL USED ON APPLICATION | ASSY NO. |
| QTY / UNIT | | CODE | |

NOTICE TO PERSONS RECEIVING THIS DRAWING
 THE TECHNICAL MATERIEL CORPORATION claims proprietary right in the material disclosed hereon. This drawing is issued in confidence for engineering information only and may not be reproduced or used to manufacture anything shown hereon without permission from THE TECHNICAL MATERIEL CORPORATION to the user. This drawing is loaned for mutual assistance and is subject to recall at any time.

THE TECHNICAL MATERIEL CORP.
 MAMARONECK, NEW YORK

MARKING, KIT 333B

| | | | |
|------|-----------------|---------|-------|
| SIZE | CODE IDENT. NO. | DWG NO. | ISSUE |
| B | 82679 | LD3002 | Ø |

SCALE SHEET OF

5 4 3 2 1

D

C

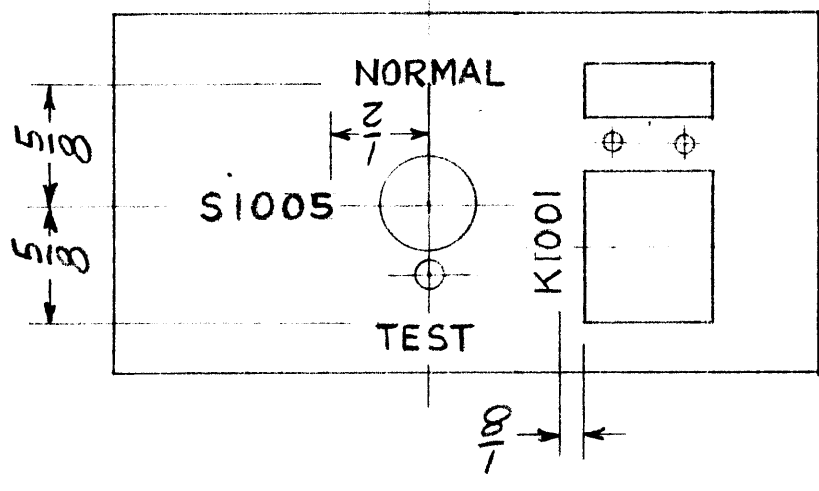
B

A

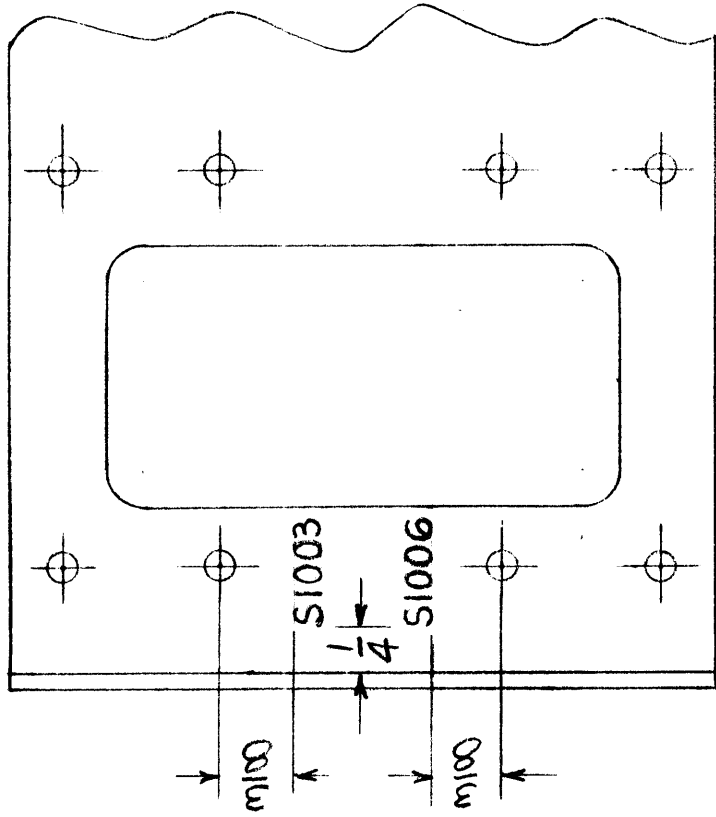
1 2 3 4 5

| REVISIONS | | | | |
|-----------|-----|------------------|--------|-----------|
| ZONE | LTR | DESCRIPTION | DATE | E.M.N. NO |
| | E | ORIGINAL RELEASE | 5/9/73 | CS |

| REQ'D | ITEM | PART NUMBER | DESCRIPTION | SYM. |
|------------------|------|--|-----------------|---------|
| LIST OF MATERIAL | | | | |
| FINAL APPROVAL | DATE | THE TECHNICAL MATERIEL CORP. MAMARONECK, NEW YORK | | |
| MECH. DES. | DATE | MARKING, BRACKET MOUNTING | | |
| ELECT. DES. | DATE | AUTO. SWITCH | | |
| CHECKED | DATE | SIZE | CODE IDENT. NO. | DWG NO. |
| DRAWN | DATE | B | 82679 | LD3003 |
| | | SCALE | SHEET | OF |
| | | | 1 | 1 |



VIEW B-B



VIEW A-A

MARKING PROCESS: AS PER TMC SPECIFICATION S727
 LETTERING: 1/8 HIGH BLACK GOTHIC, LOCATED AS SHOWN

| | | | |
|------------|--------|---------------|----------|
| QTY / UNIT | SMRA-4 | MODEL USED ON | ASSY NO. |
| | | APPLICATION | |
| | | CODE | |

UNLESS OTHERWISE SPECIFIED DIMENSIONS ARE IN INCHES AND INCLUDE CHEMICALLY APPLIED OR PLATED FINISHES

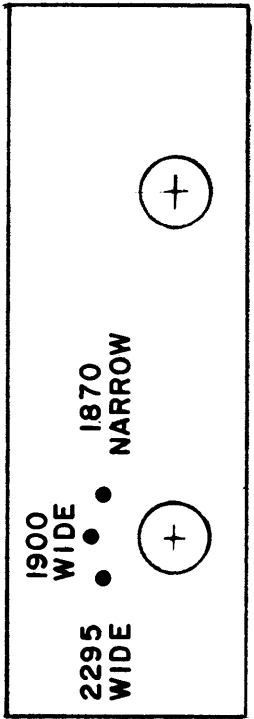
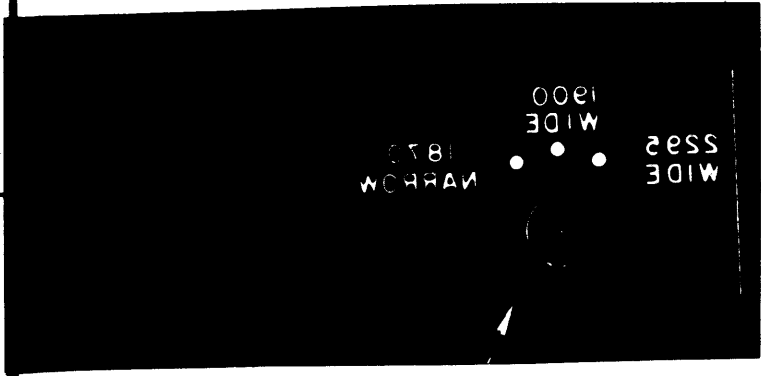
| | |
|-------------|-----------|
| DECIMALS | FRACTIONS |
| .X ± .05 | 1/64 |
| .XX ± .01 | ANGLES |
| .XXX ± .005 | 0° .30' |

MATERIAL
FINISH

NOTICE TO PERSONS RECEIVING THIS DRAWING
 THE TECHNICAL MATERIEL CORPORATION claims proprietary right in the material disclosed hereon. This drawing is issued in confidence for engineering information only and may not be reproduced or used to manufacture anything shown hereon without permission from THE TECHNICAL MATERIEL CORPORATION to the user. This drawing is loaned for mutual assistance and is subject to recall at any time.

D C B A

| | | | | | | | |
|-----------|-------|------|------|-----|---------------------------------|------|----------|
| EM.N. NO. | DRAFT | CHKD | ZONE | LTR | DESCRIPTION | DATE | APPROVED |
| | | | | Ø | ORIGINAL RELEASE FOR PRODUCTION | | |



NOTES:
 1- ALL LETTERING AND ARTWORK TO BE BLACK ON ALUMINUM BACKGROUND.
 2- PRINT ON PHOTO-SENSITIVE BLACK METAL WITH ADHESIVE BACK.
 3- REPRODUCTION METHOD: AS PER TMC SPEC. S1222.

| | | | |
|---|----------------------|------------------------------|------------------------|
| REQ'D ITEM | PART NUMBER | DESCRIPTION | SYM. |
| | | LIST OF MATERIAL | |
| FINAL APPROVAL | DATE | THE TECHNICAL MATERIEL CORP. | |
| MECH. DES. | DATE | MAMARONECK, NEW YORK | |
| ELECT. DES. | DATE | MARKING, FREQ. SWITCH | |
| CHECKED | DATE | | |
| DRAWN <i>J. Steiner</i> | DATE 3-20-74 | | |
| UNLESS OTHERWISE SPECIFIED DIMENSIONS ARE IN INCHES AND INCLUDE CHEMICALLY APPLIED OR PLATED FINISHES | FRACTIONS 1/64 | SIZE B | CODE IDENT. NO. LD3022 |
| DECIMALS .X ± .05 .XX ± .01 .XXX ± .005 | TOLS. ANGLES 0° .30' | MATERIAL FINISH | SCALE 1:1 |
| KIT 398 | | ASSY NO. | ISSUE Ø |
| QTY / UNIT | MODEL USED ON | APPLICATION | |
| 1 | | | |

NOTICE TO PERSONS RECEIVING THIS DRAWING
 THE TECHNICAL MATERIEL CORPORATION claims proprietary right in the material disclosed hereon. This drawing is issued in confidence for engineering information only and may not be reproduced or used to manufacture anything shown hereon without permission from THE TECHNICAL MATERIEL CORPORATION to the user. This drawing is loaned for mutual assistance and is subject to recall at any time.

5 4 3 2 1

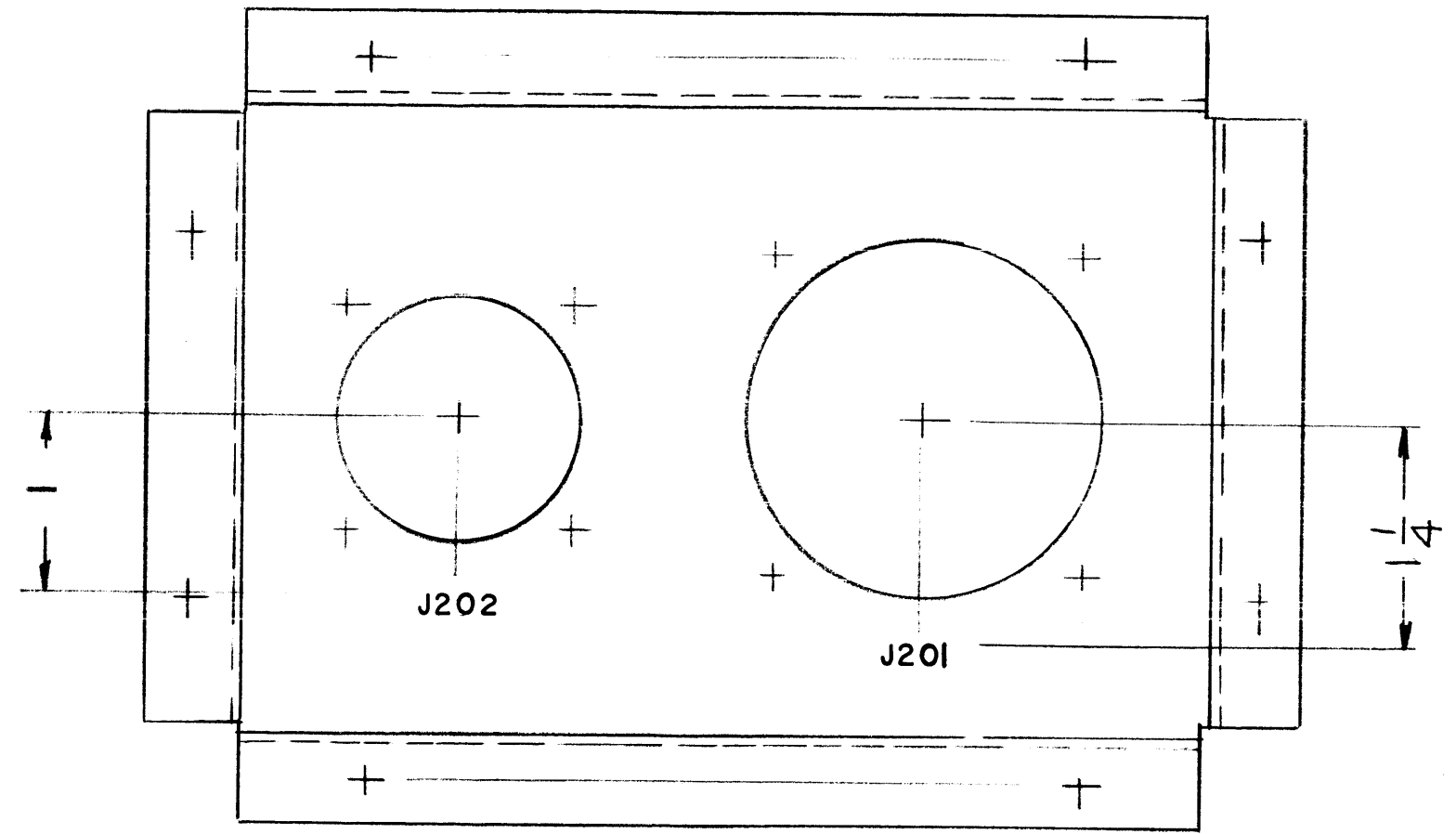
| REVISIONS | | | | | | | |
|------------|-------|------|------|-----|------------------|---------|----------|
| E.M.N. NO. | DRAFT | CHKD | ZONE | LTR | DESCRIPTION | DATE | APPROVED |
| | GDL | | | Ø | EXP. RELEASE | | |
| | | | | Ø | ORIGINAL RELEASE | 1-10-77 | J |

D D

C C

B B

A A



REF: MS6658

| | | |
|-------------|---------------|-----------|
| | SYM 5204 | AX5206 |
| QTY / UNIT | MODEL USED ON | ASS'Y NO. |
| APPLICATION | | |
| | CODE | |

NOTICE TO PERSONS RECEIVING THIS DRAWING
 THE TECHNICAL MATERIEL CORPORATION claims proprietary right in the material disclosed hereon. This drawing is issued in confidence for engineering information only and may not be reproduced or used to manufacture anything shown hereon without permission from THE TECHNICAL MATERIEL CORPORATION to the user. This drawing is loaned for mutual assistance and is subject to recall at any time.

| | |
|---|--|
| UNLESS OTHERWISE SPECIFIED DIMENSIONS ARE IN INCHES AND INCLUDE CHEMICALLY APPLIED OR PLATED FINISHES | |
| DECIMALS .X ± .05 .XX ± .01 .XXX ± .005 | FRACTIONS 1/64 ANGLES 0° -30' |
| MATERIAL | |
| FINISH | |

| REQ'D | ITEM | PART NUMBER | DESCRIPTION | SYM. |
|--|-----------------|-------------|-------------|------|
| LIST OF MATERIAL | | | | |
| THE TECHNICAL MATERIEL CORP. MAMARONECK, NEW YORK | | | | |
| MARKING BRACKET MTG CONN | | | | |
| SIZE | CODE IDENT. NO. | DWG NO. | ISSUE | |
| B | 82679 | LD 3043 | Ø | |
| SCALE | 1:1 | SHEET | | OF |

5 4 3 2 1

5

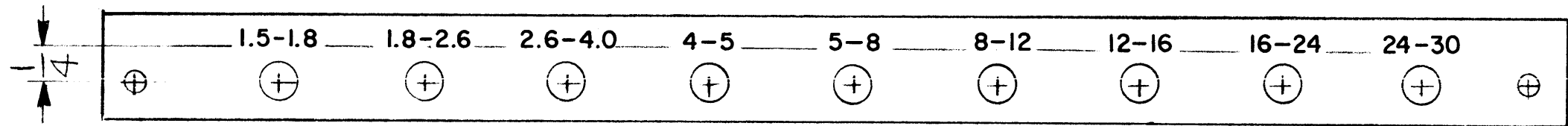
4

3

2

1

| REVISIONS | | | | | | |
|------------|-------|------|------|-----|--------------|--------|
| E.M.N. NO. | DRAFT | CHKD | ZONE | LTR | DESCRIPTION | DATE |
| | | | | X | EXP. RELEASE | 9/7/76 |



MARKING PROCESS: AS PER TMC SPEC. S727
 LETTERING: 1/8 HIGH WHITE GOTHIC, LOCATED AS SHOWN

| REQ'D | ITEM | PART NUMBER | DESCRIPTION | SYM. |
|---|------|---|---|---|
| MS6666 . | | | | |
| LIST OF MATERIAL | | | | |
| UNLESS OTHERWISE SPECIFIED DIMENSIONS ARE IN INCHES AND INCLUDE CHEMICALLY APPLIED OR PLATED FINISHES | | | THE TECHNICAL MATERIEL CORP. MAMARONECK, NEW YORK | |
| I HFTM-10K() QTY / UNIT MODEL USED ON ASS'Y NO. | | DECIMALS .X ± .05 .XX ± .01 .XXX ± .005 | FRACTIONS 1/64 TOLS. ANGLES 0°-30' | FINAL APPROVAL [Signature] DATE 9-16-76 MECH. DES. DATE ELECT. DES. DATE CHECKED DATE DRAWN GDL DATE 9-16-76 |
| APPLICATION CODE | | | MARKING, INDICATOR PLATE | |
| NOTICE TO PERSONS RECEIVING THIS DRAWING THE TECHNICAL MATERIEL CORPORATION claims proprietary right in the material disclosed hereon. This drawing is issued in confidence for engineering information only and may not be reproduced or used to manufacture anything shown hereon without permission from THE TECHNICAL MATERIEL CORPORATION to the user. This drawing is loaned for mutual assistance and is subject to recall at any time. | | | | |
| MATERIAL | | FINISH | | SIZE B CODE IDENT. NO. 82679 DWG NO. LD3045 ISSUE 0 |
| SCALE 1:1 | | | SHEET OF | |

5

4

3

2

1

5

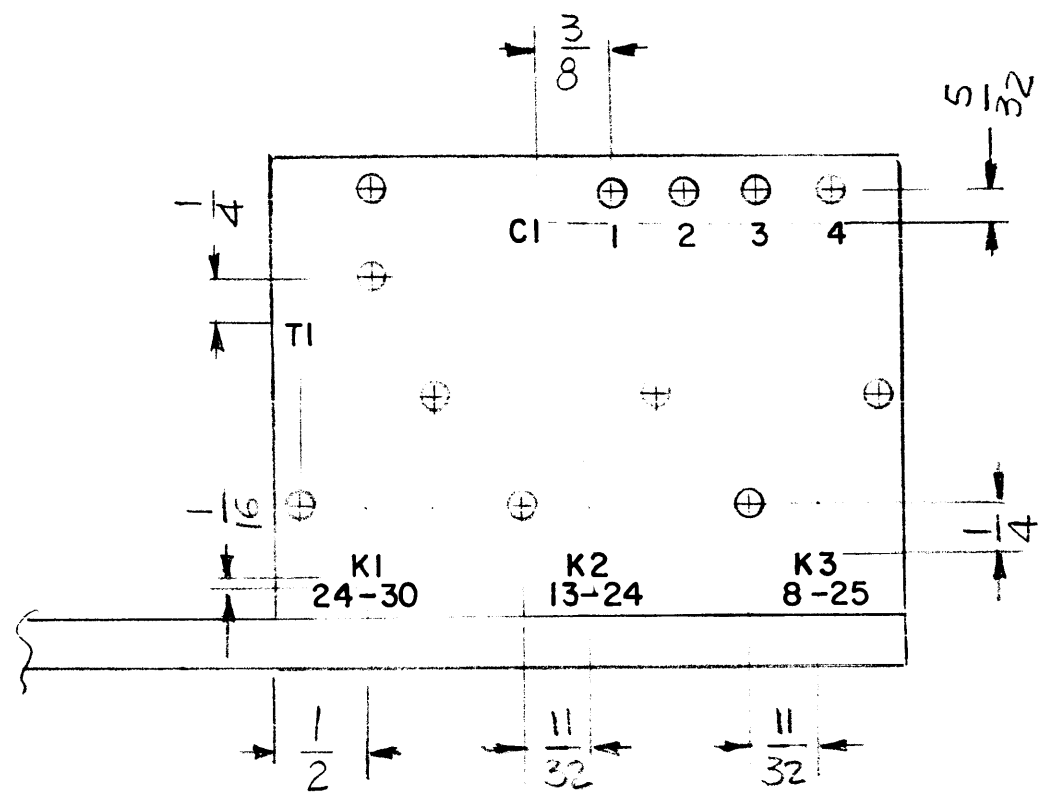
4

3

2

1

| REVISIONS | | | | | | | |
|------------|-------|--------------------|------|-----|------------------------------------|---------|----------|
| E.M.N. NO. | DRAFT | CHKD | ZONE | LTR | DESCRIPTION | DATE | APPROVED |
| | CL | | | Ø | ORIGINAL RELEASE FOR PRODUCTION | 5/11/76 | |
| 21520 | WB | <i>[Signature]</i> | -11 | A | DELET "1/8 HIGH WHITE GOTHIC ETC." | 4/20/77 | K.P. |



MARKING PROCESS: AS PER TMC SPECIFICATION S727
 LETTERING: 1/8 HIGH BLACK GOTHIC, LOCATED AS SHOWN

REF: MS 6706

| | | |
|-------------|---------------|-----------|
| 1 | KIT 417 | TR 206 |
| 1 | TLAA-1K | TR 206 |
| QTY / UNIT | MODEL USED ON | ASS'Y NO. |
| APPLICATION | | |
| | CODE | |

NOTICE TO PERSONS RECEIVING THIS DRAWING
 THE TECHNICAL MATERIEL CORPORATION claims proprietary right in the material disclosed hereon. This drawing is issued in confidence for engineering information only and may not be reproduced or used to manufacture anything shown hereon without permission from THE TECHNICAL MATERIEL CORPORATION to the user. This drawing is loaned for mutual assistance and is subject to recall at any time.

UNLESS OTHERWISE SPECIFIED DIMENSIONS ARE IN INCHES AND INCLUDE CHEMICALLY APPLIED OR PLATED FINISHES

DECIMALS: .X ± .05, .XX ± .01, .XXX ± .005
 FRACTIONS: 1/64
 TOLS. ANGLES: 0° -30'

MATERIAL

FINISH

| REQ'D | ITEM | PART NUMBER | DESCRIPTION | SYM. |
|--|-----------------|-------------|-------------|------|
| LIST OF MATERIAL | | | | |
| FINAL APPROVAL: <i>[Signature]</i> DATE: 5/11/76 | | | | |
| MECH. DES. DATE | | | | |
| ELECT. DES. DATE | | | | |
| CHECKED DATE | | | | |
| DRAWN: G.D. DATE | | | | |
| THE TECHNICAL MATERIEL CORP. MAMARONECK, NEW YORK | | | | |
| MARKING BCKT XFMR | | | | |
| SIZE | CODE IDENT. NO. | DWG NO. | ISSUE | |
| B | 82679 | LD 3049 | A | |
| SCALE | 1:1 | SHEET | OF | |

D

C

B

A

D

C

B

A

5

4

3

2

1

5

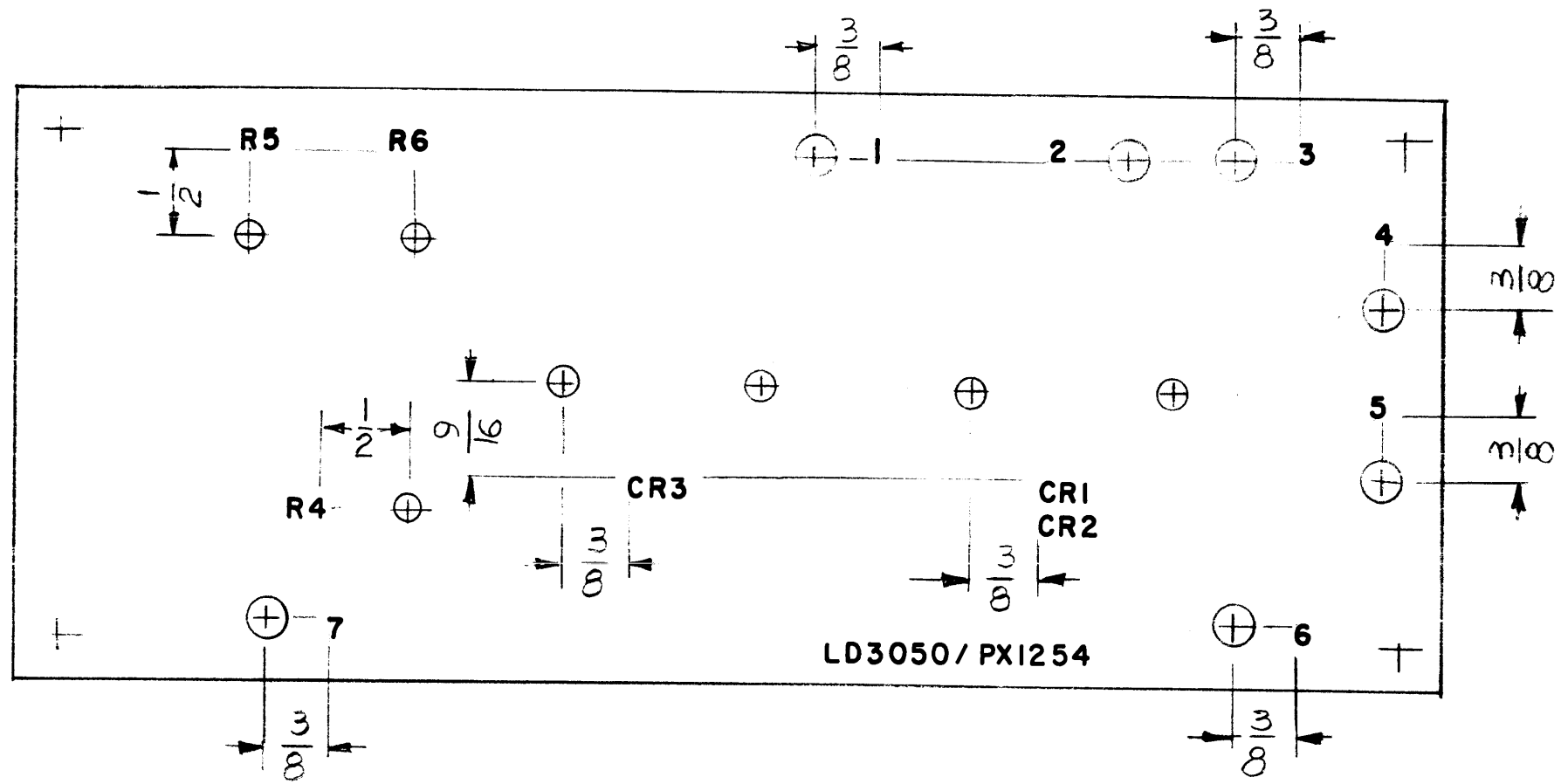
4

3

2

1

| REVISIONS | | | | | | | |
|------------|-------|------|------|-----|---------------------------------|---------|----------|
| E.M.N. NO. | DRAFT | CHKD | ZONE | LTR | DESCRIPTION | DATE | APPROVED |
| | CL | | | Ø | ORIGINAL RELEASE FOR PRODUCTION | 5/11/76 | |



MARKING PROCESS: AS PER TMC SPECIFICATION S727
 LETTERING: 1/8 HIGH BLACK GOTHIC, LOCATED AS SHOWN

| REQ'D | ITEM | PART NUMBER | DESCRIPTION | SYM. |
|--|-----------------|---|-------------|------|
| REF: PX1254 | | | | |
| LIST OF MATERIAL | | | | |
| UNLESS OTHERWISE SPECIFIED DIMENSIONS ARE IN INCHES AND INCLUDE CHEMICALLY APPLIED OR PLATED FINISHES DECIMALS: .X ± .05, .XX ± .01, .XXX ± .005 FRACTIONS: 1/64 TOLS. ANGLES: 0°-30' MATERIAL: _____ FINISH: _____ | | | | |
| FINAL APPROVAL: <i>[Signature]</i> DATE: 5/11/76 MECH. DES. DATE: _____ ELECT. DES. DATE: _____ CHECKED DATE: _____ DRAWN: G.D.L. DATE: 4-29-76 | | THE TECHNICAL MATERIEL CORP. MAMARONECK, NEW YORK MARKING, BD ZENER | | |
| SIZE | CODE IDENT. NO. | DWG NO. | ISSUE | |
| B | 82679 | LD3050 | Ø | |
| SCALE | 1:1 | SHEET | OF | |

| | | |
|---|---------------|-----------|
| 1 | AP152 | A5637 |
| QTY / UNIT | MODEL USED ON | ASS'Y NO. |
| APPLICATION | | |
| CODE | | |
| NOTICE TO PERSONS RECEIVING THIS DRAWING THE TECHNICAL MATERIEL CORPORATION claims proprietary right in the material disclosed hereon. This drawing is issued in confidence for engineering information only and may not be reproduced or used to manufacture anything shown hereon without permission from THE TECHNICAL MATERIEL CORPORATION to the user. This drawing is loaned for mutual assistance and is subject to recall at any time. | | |

D

D

C

C

B

B

A

A

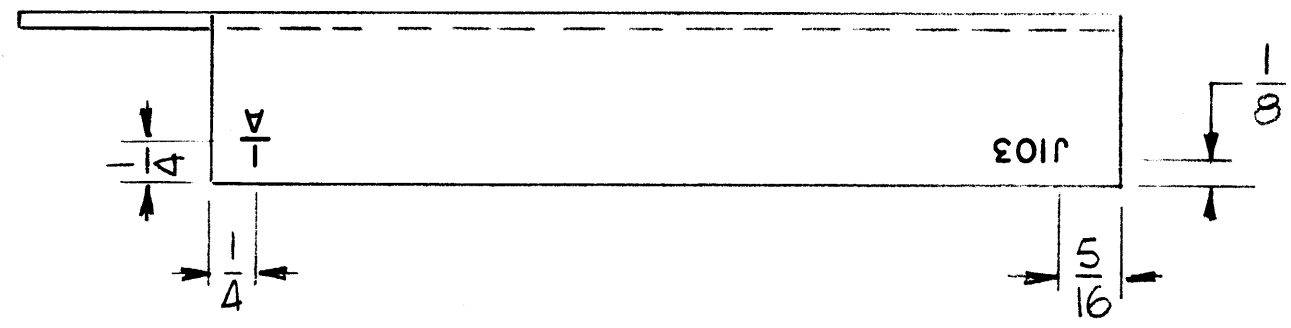
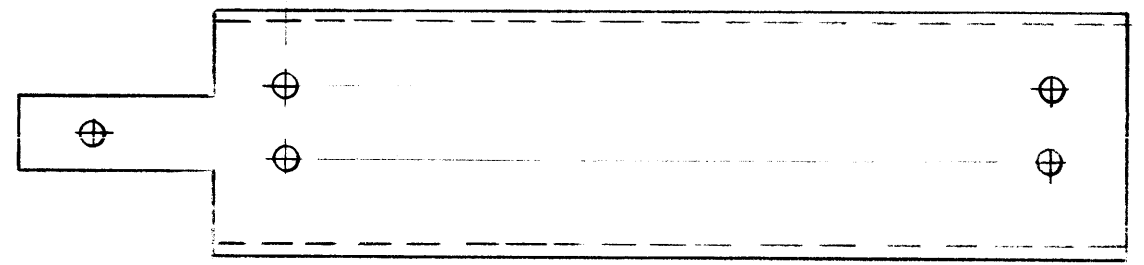
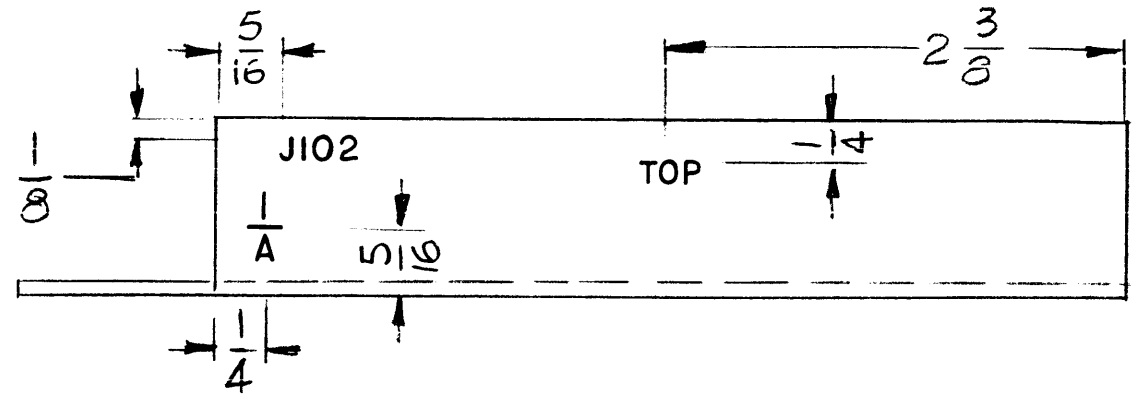
5

4

3

2

1



| REVISIONS | | | | | | | |
|------------|--------|------|------|-----|---------------------------------|---------|----------|
| E.M.N. NO. | DRAFT | CHKD | ZONE | LTR | DESCRIPTION | DATE | APPROVED |
| | G.D.L. | | | Ø | ORIGINAL RELEASE FOR PRODUCTION | 1-25-77 | * |

MARKING PROCESS: AS PER TMC SPECIFICATION S727
 LETTERING: 1/8 HIGH BLACK GOTHIC, LOCATED AS SHOWN

| | | |
|-------------|---------------|-----------|
| 1 | GPR-110 | BMA 515 |
| QTY / UNIT | MODEL USED ON | ASS'Y NO. |
| APPLICATION | | |
| | CODE | |

NOTICE TO PERSONS RECEIVING THIS DRAWING
 THE TECHNICAL MATERIEL CORPORATION claims proprietary right in the material disclosed hereon. This drawing is issued in confidence for engineering information only and may not be reproduced or used to manufacture anything shown hereon without permission from THE TECHNICAL MATERIEL CORPORATION to the user. This drawing is loaned for mutual assistance and is subject to recall at any time.

| | | | | | | |
|---|--|----------------|------|--|-----------------|----------|
| REF. MS 6514 | | REQ'D | ITEM | PART NUMBER | DESCRIPTION | SYM. |
| LIST OF MATERIAL | | | | | | |
| UNLESS OTHERWISE SPECIFIED DIMENSIONS ARE IN INCHES AND INCLUDE CHEMICALLY APPLIED OR PLATED FINISHES | | FINAL APPROVAL | DATE | THE TECHNICAL MATERIEL CORP. MAMARONECK, NEW YORK | | |
| MECH. DES. | | | DATE | MARKING, COVER CONNECTOR | | |
| DECIMALS .X ± .05 .XX ± .01 .XXX ± .005 | FRACTIONS 1/64 ANGLES 0° .30' | ELECT. DES. | DATE | | | |
| MATERIAL | | CHECKED | DATE | | | |
| FINISH | | DRAWN | DATE | | | |
| | | G.D.L. | 8-76 | SIZE | CODE IDENT. NO. | DWG NO. |
| | | | | B | 82679 | LD3051 |
| | | | | SCALE | 1:1 | SHEET OF |
| | | | | | | ISSUE |
| | | | | | | Ø |

5

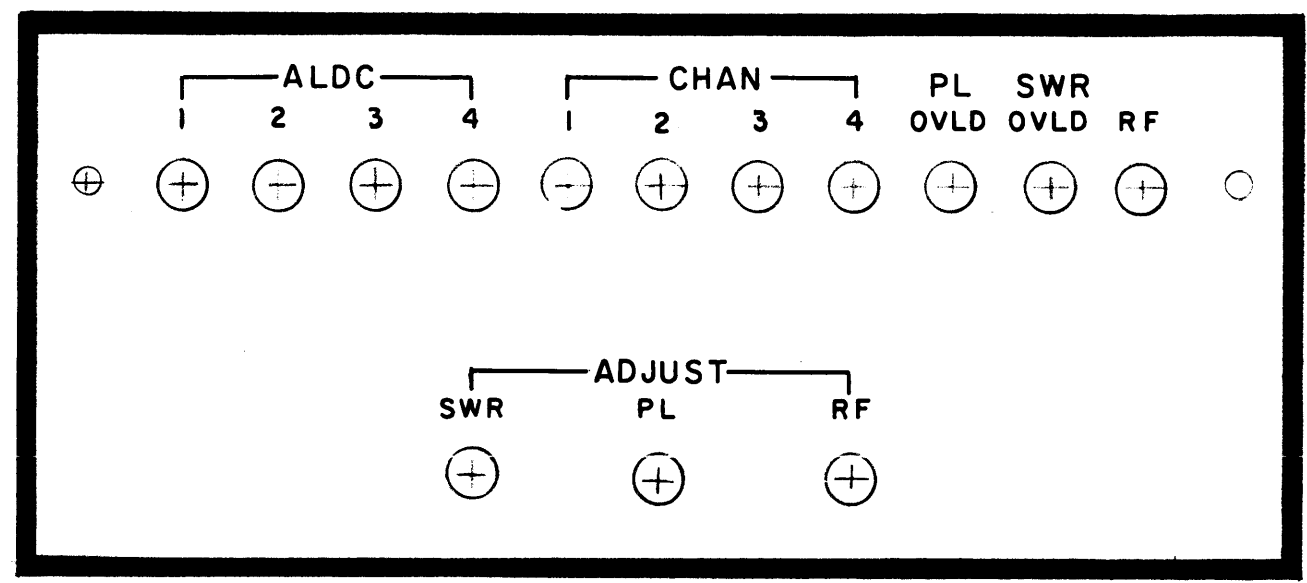
4

3

2

1

| REVISIONS | | | | | | | |
|------------|-------|------|------|-----|---------------------------------|---------|----------|
| E.M.N. NO. | DRAFT | CHKD | ZONE | LTR | DESCRIPTION | DATE | APPROVED |
| | | | | Ø | ORIGINAL RELEASE FOR PRODUCTION | 1-13-72 | |



MARK AS SHOWN LETTER
 1/8 HIGH SILVER GOTHIC
 3/32 BORD ALL AROUND

| | | | | | | | | | | | |
|---|--|---------------|-----------|---|--|----------------|------|------------------------------|-------------|---------|-------|
| QTY / UNIT | | MODEL USED ON | ASS'Y NO. | REF: MS 6751 | | REQ'D | ITEM | PART NUMBER | DESCRIPTION | SYM. | |
| APPLICATION | | | | LIST OF MATERIAL | | | | | | | |
| CODE | | | | UNLESS OTHERWISE SPECIFIED DIMENSIONS ARE IN INCHES AND INCLUDE CHEMICALLY APPLIED OR PLATED FINISHES | | FINAL APPROVAL | | DATE | | | |
| NOTICE TO PERSONS RECEIVING THIS DRAWING | | | | DECIMALS | | MECH. DES. | | THE TECHNICAL MATERIEL CORP. | | | |
| THE TECHNICAL MATERIEL CORPORATION claims proprietary right in the material disclosed hereon. This drawing is issued in confidence for engineering information only and may not be reproduced or used to manufacture anything shown hereon without permission from THE TECHNICAL MATERIEL CORPORATION to the user. This drawing is loaned for mutual assistance and is subject to recall at any time. | | | | FRACTIONS | | ELECT. DES. | | MAMARONECK, NEW YORK | | | |
| | | | | TOLS. | | CHECKED | | MARKING PLATE | | | |
| MATERIAL | | | | ANGLES | | DRAWN | | DATE | | | |
| FINISH | | | | 0° - 30' | | G.D.L. | | 10-21-70 | | | |
| | | | | | | SIZE | | CODE IDENT. NO. | | DWG NO. | ISSUE |
| | | | | | | B | | 82679 | | LD3062 | Ø |
| | | | | | | SCALE | | 1:1 | | SHEET | OF |

5

4

3

2

1

| REVISIONS | | | | | | | |
|------------|-------|------|------|-----|---------------------------------|---------|----------|
| E.M.N. NO. | DRAFT | CHKD | ZONE | LTR | DESCRIPTION | DATE | APPROVED |
| | GE | | | Ø | ORIGINAL RELEASE FOR PRODUCTION | 3-16-77 | * |

**ANTENNA TUNER
MODEL ATU 350**

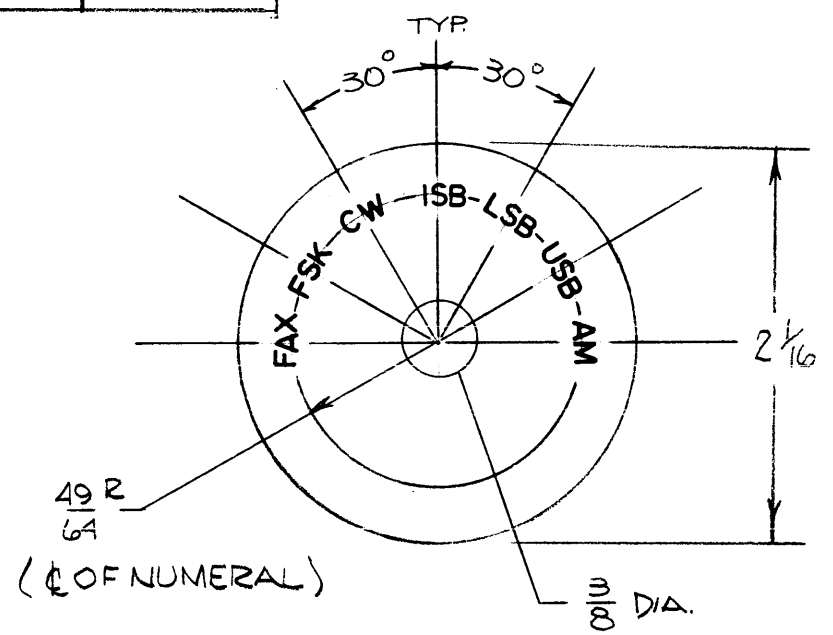
| CHAN | FREQ | CHAN | FREQ |
|------|----------|------|----------|
| 1 | ████████ | 5 | ████████ |
| 2 | ████████ | 6 | ████████ |
| 3 | ████████ | 7 | ████████ |
| 4 | ████████ | 8 | ████████ |

SERIAL NO ██████████

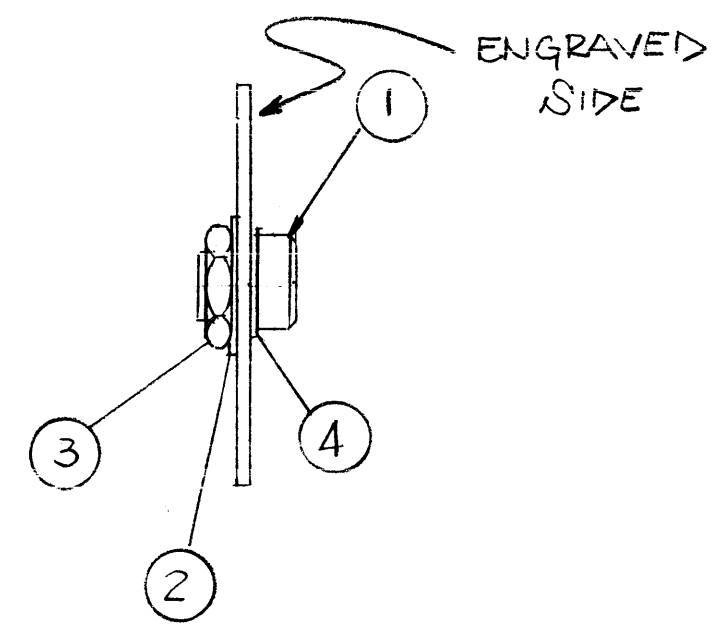
**THE TECHNICAL MATERIEL
CORPORATION**
MAMARONECK NEW YORK

| REQ'D | ITEM | PART NUMBER | DESCRIPTION | SYM. |
|---|------|--------------------------|----------------------|---|
| <i>F.B.</i> LIST OF MATERIAL | | | | |
| UNLESS OTHERWISE SPECIFIED DIMENSIONS ARE IN INCHES AND INCLUDE CHEMICALLY APPLIED OR PLATED FINISHES | | FINAL APPROVAL <i>OB</i> | DATE <i>11/10/77</i> | THE TECHNICAL MATERIEL CORP. MAMARONECK, NEW YORK |
| DECIMALS .X ± .05 FRACTIONS 1/64 TOLS. ANGLES 0° -30' | | MECH. DES. | DATE | |
| .XX ± .01 .XXX ± .005 | | ELECT. DES. | DATE | |
| MATERIAL | | CHECKED | DATE | |
| FINISH | | DRAWN <i>GE</i> | DATE <i>9-6-72</i> | SIZE B |
| NOTICE TO PERSONS RECEIVING THIS DRAWING THE TECHNICAL MATERIEL CORPORATION claims proprietary right in the material disclosed hereon. This drawing is issued in confidence for engineering information only and may not be reproduced or used to manufacture anything shown hereon without permission from THE TECHNICAL MATERIEL CORPORATION to the user. This drawing is loaned for mutual assistance and is subject to recall at any time. | | | | CODE IDENT. NO. 82679 |
| QTY / UNIT | | APPLICATION | | DWG NO. LD 3067 |
| MODEL USED ON <i>ATU 350</i> | | ASS'Y NO. | | ISSUE Ø |
| CODE | | | | SCALE |
| | | | | SHEET OF |

| HEIGHT OF LETTER | DEPTS OF STROKE | WIDTH OF STROKE |
|------------------|-----------------|-----------------|
| 1/8 | SEE NOTE | .020 |



| REVISIONS | | | | | | | |
|------------|-------|------|------|----------------|---------------------------------|---------|----------|
| E.M.N. NO. | DRAFT | CHKD | ZONE | LTR | DESCRIPTION | DATE | APPROVED |
| | 20 | | | X ₁ | COMPLETELY REVISED | 2-21-78 | |
| | GDL | WJ | | Ø | ORIGINAL RELEASE FOR PRODUCTION | 6-5-78 | * |



NOTE:
 1-MATERIAL: 1/16THK LAMINATED LAMICOID #8000 BLACK FACING OVER WHITE CORE
 2-ENGRAVE FROM BLK SIDE THRU BLK FACING, TO WHITE CORE.
 3-ENGRAVE PER TMC SPEC. S566

| REQ'D | ITEM | PART NUMBER | DESCRIPTION | SYM. |
|-------|------|-------------|-------------|------|
| 1 | 4 | LWI 37MRN | LOCK WASHER | |
| 1 | 3 | NTH3732BN16 | NUT, HEX. | |
| 1 | 2 | FW 37 HB | FLAT WASHER | |
| 1 | 1 | PM 1597 | HUB DIAL | |

LIST OF MATERIAL
 THE TECHNICAL MATERIEL CORP.
 MAMARONECK, NEW YORK

| | | |
|-------------|---------------|-----------|
| QTY / UNIT | MODEL USED ON | ASS'Y NO. |
| | MMXR-2B | BMA535 |
| APPLICATION | | |
| | CODE | |

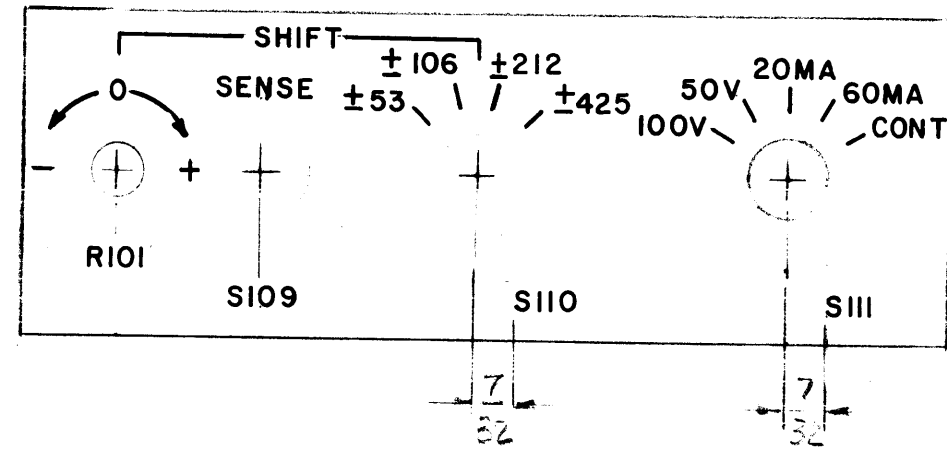
| | | | |
|---|--|----------------|------|
| UNLESS OTHERWISE SPECIFIED DIMENSIONS ARE IN INCHES AND INCLUDE CHEMICALLY APPLIED OR PLATED FINISHES | | FINAL APPROVAL | DATE |
| | | MECH. DES. | DATE |
| | | ELECT. DES. | DATE |
| | | CHECKED | DATE |
| | | DRAWN | DATE |

NOTICE TO PERSONS RECEIVING THIS DRAWING
 THE TECHNICAL MATERIEL CORPORATION claims proprietary right in the material disclosed hereon. This drawing is issued in confidence for engineering information only and may not be reproduced or used to manufacture anything shown hereon without permission from THE TECHNICAL MATERIEL CORPORATION to the user. This drawing is loaned for mutual assistance and is subject to recall at any time.

| | | | | | |
|----------|--|------|-----------------|---------|-------|
| MATERIAL | | SIZE | CODE IDENT. NO. | DWG NO. | ISSUE |
| FINISH | | B | 82679 | LD3076 | Ø |

| | | |
|-----------|-------|----|
| SCALE 1:1 | SHEET | OF |
|-----------|-------|----|

| REVISIONS | | | | | | | |
|------------|-------|------|------|-----|---------------------------------|--------|----------|
| E.M.N. NO. | DRAFT | CHKD | ZONE | LTR | DESCRIPTION | DATE | APPROVED |
| 1 | GDL | WJB | | Ø | ORIGINAL RELEASE FOR PRODUCTION | 6-6-78 | * |



MARKING PROCESS: AS PER TMC SPECIFICATION S727
 LETTERING: 3/32 HIGH BLACK GOTHIC, LOCATED AS SHOWN

REF: MS 6831

| QTY / UNIT | MODEL USED ON | ASS'Y NO. | REQ'D ITEM | PART NUMBER | DESCRIPTION | SYM. |
|---|---------------|-----------|--|-----------------|-------------|-------|
| | MMX () Z | | | | | |
| APPLICATION | | | LIST OF MATERIAL | | | |
| CODE | | | THE TECHNICAL MATERIEL CORP. MAMARONECK, NEW YORK | | | |
| NOTICE TO PERSONS RECEIVING THIS DRAWING THE TECHNICAL MATERIEL CORPORATION claims proprietary right in the material disclosed hereon. This drawing is issued in confidence for engineering information only and may not be reproduced or used to manufacture anything shown hereon without permission from THE TECHNICAL MATERIEL CORPORATION to the user. This drawing is loaned for mutual assistance and is subject to recall at any time. | | | MARKING, PLATE ADAPTER | | | |
| FINISH | | | FINAL APPROVAL | DATE | | |
| | | | MECH. DES. | DATE | | |
| | | | ELECT. DES. | DATE | | |
| | | | CHECKED | DATE | | |
| | | | DRAWN | DATE | | |
| | | | G.D.L. | 8-16-77 | | |
| | | | SIZE | CODE IDENT. NO. | DWG NO. | ISSUE |
| | | | B | 82679 | LD3078 | Ø |
| | | | SCALE | SHEET | | OF |

5

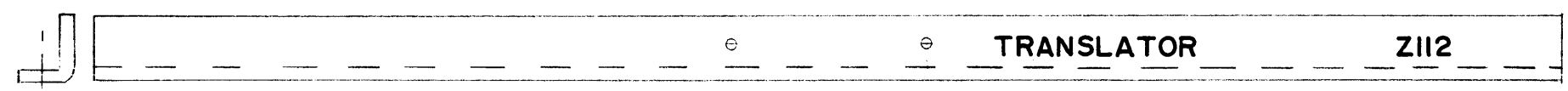
4

3

2

1

| REVISIONS | | | | | | | |
|--------------|-------|------|------|-----|---------------------------------|--------|----------|
| E.M.N. NO. | DRAFT | CHKD | ZONE | LTR | DESCRIPTION | DATE | APPROVED |
| 1 | PH | WB | | Ø | ORIGINAL RELEASE FOR PRODUCTION | 6-6-78 | * |



MARKING PROCESS: AS PER TMC SPECIFICATION S727
 LETTERING: 1/8 HIGH BLACK GOTHIC, LOCATED AS SHOWN

REF: MS5395

| | | |
|-------------|---------------|-----------|
| I | CHG | |
| I | MMX | |
| QTY / UNIT | MODEL USED ON | ASS'Y NO. |
| APPLICATION | | |
| | CODE | |

NOTICE TO PERSONS RECEIVING THIS DRAWING
 THE TECHNICAL MATERIEL CORPORATION claims proprietary right in the material disclosed hereon. This drawing is issued in confidence for engineering information only and may not be reproduced or used to manufacture anything shown hereon without permission from THE TECHNICAL MATERIEL CORPORATION to the user. This drawing is loaned for mutual assistance and is subject to recall at any time.

| | |
|---|--|
| UNLESS OTHERWISE SPECIFIED DIMENSIONS ARE IN INCHES AND INCLUDE CHEMICALLY APPLIED OR PLATED FINISHES | |
| DECIMALS .X ± .05 .XX ± .01 .XXX ± .005 | FRACTIONS 1/64 ANGLES 0° -30' |
| MATERIAL | |
| FINISH | |

| REQ'D | ITEM | PART NUMBER | DESCRIPTION | SYM. |
|--|-----------------|-------------|-------------|------|
| LIST OF MATERIAL | | | | |
| FINAL APPROVAL * [Signature] DATE 6/2/77 | | | | |
| MECH. DES. DATE | | | | |
| ELECT. DES. DATE | | | | |
| CHECKED [Signature] DATE 7/29/78 | | | | |
| DRAWN PH DATE 12-1-77 | | | | |
| THE TECHNICAL MATERIEL CORP. MAMARONECK, NEW YORK | | | | |
| LETTERING PC STIFFENER | | | | |
| SIZE | CODE IDENT. NO. | DWG NO. | ISSUE | |
| B | 82679 | LD3080 | Ø | |
| SCALE FULL | | | SHEET | OF |

D

D

C

C

B

B

A

A

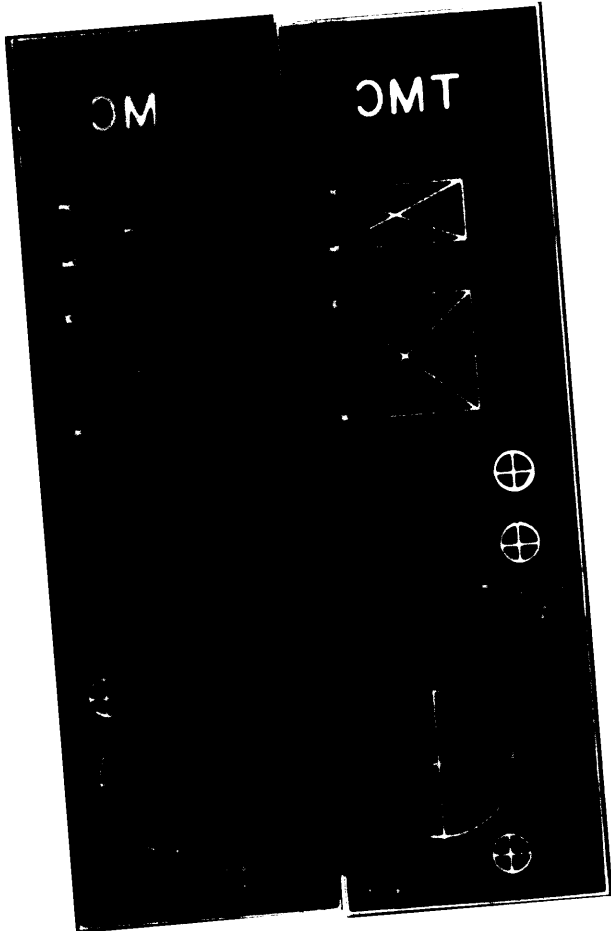
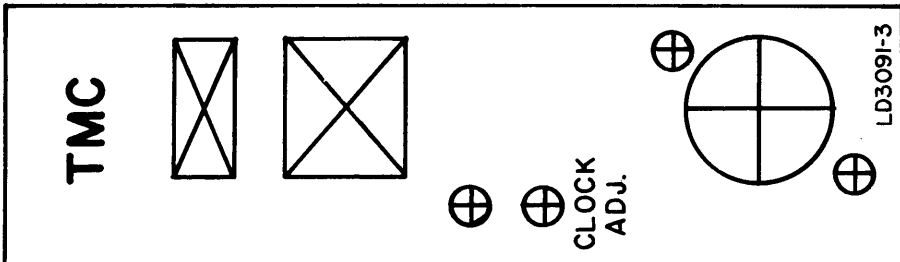
5

4

3

2

1



NOTE:
 1. ALL LETTERING AND ARTWORK TO BE BLACK ON ALUMINUM BACKGROUND WITH ADHESIVE BACKING.
 2. REPRODUCE AS PER TMC SPEC 51222.

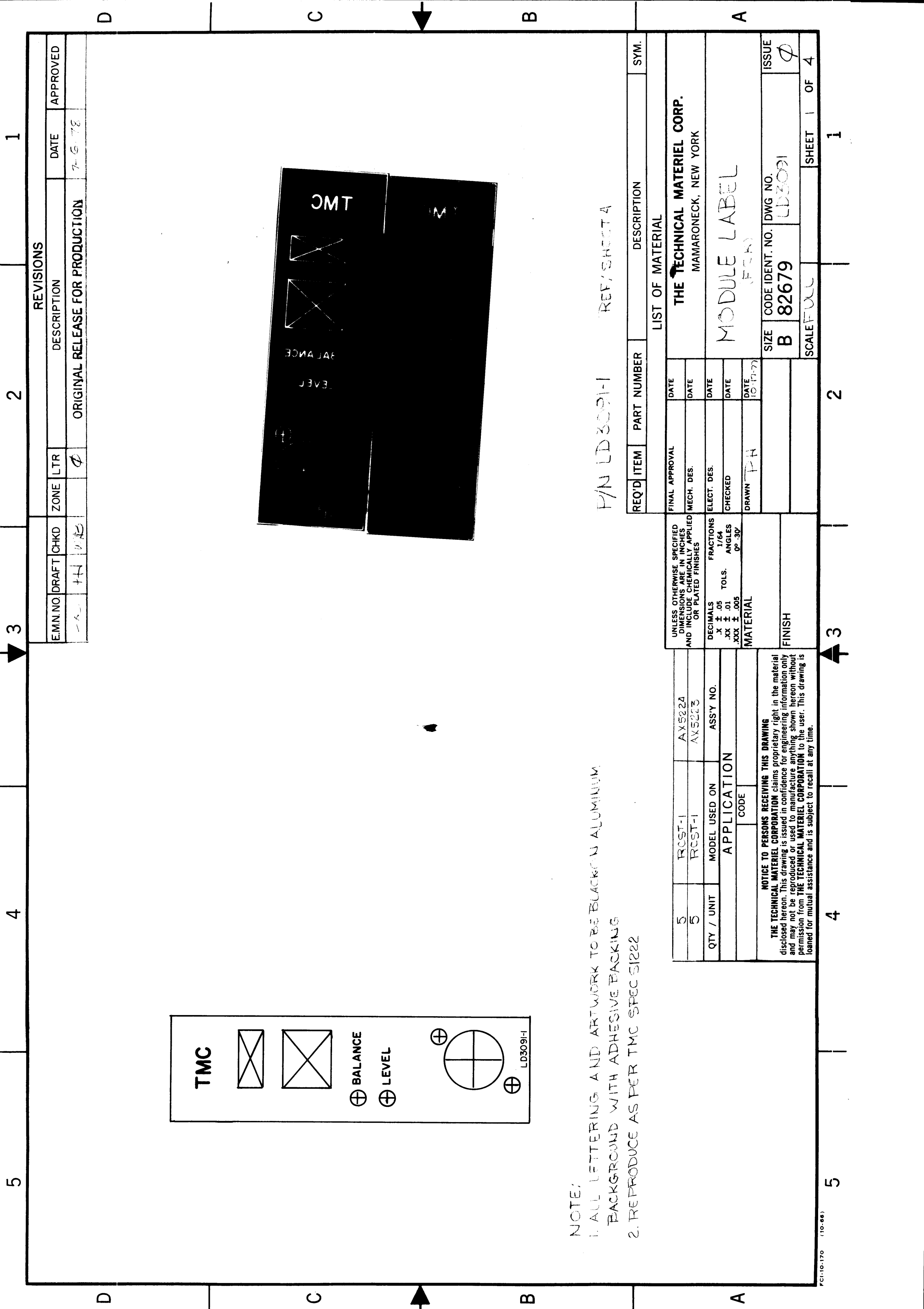
| EMN NO. | DRAFT | CHKD | ZONE | LTR | DESCRIPTION | DATE | APPROVED |
|---------|-------|------|------|-----|---------------------------------|--------|----------|
| | 7-4 | WJ | | | ORIGINAL RELEASE FOR PRODUCTION | 7-5-78 | |

P/N LD3091-3 REF: SHEET 4

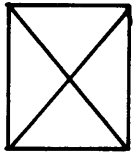
| REQ'D ITEM | PART NUMBER | DESCRIPTION | SYM. |
|------------------|---------------|------------------------------|--------------|
| LIST OF MATERIAL | | | |
| FINAL APPROVAL | DATE | THE TECHNICAL MATERIEL CORP. | |
| MECH. DES. | DATE | MAMARONECK, NEW YORK | |
| ELECT. DES. | DATE | MODULE LABEL | |
| CHECKED | DATE | SCAN COPY, R. R. R. | |
| DRAWN PH | DATE 10-11-77 | SIZE | ISSUE |
| | | B | Ø |
| | | SCALE FULL | SHEET 3 OF 4 |

| | |
|---|----------|
| UNLESS OTHERWISE SPECIFIED DIMENSIONS ARE IN INCHES AND INCLUDE CHEMICALLY APPLIED OR PLATED FINISHES | AX5224 |
| DECIMALS X ± .05 | AX5223 |
| .XX ± .01 | ASSY NO. |
| .XXX ± .005 | |
| FRACTIONS 1/64 | |
| TOLS. ANGLES | |
| °.30 | |
| MATERIAL | |
| FINISH | |

NOTICE TO PERSONS RECEIVING THIS DRAWING
 THE TECHNICAL MATERIEL CORPORATION claims proprietary right in the material disclosed hereon. This drawing is issued in confidence for engineering information only and may not be reproduced or used to manufacture anything shown hereon without permission from THE TECHNICAL MATERIEL CORPORATION to the user. This drawing is loaned for mutual assistance and is subject to recall at any time.

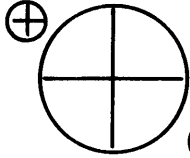


TMC



⊕ BALANCE

⊕ LEVEL



LD3091-H

NOTE:

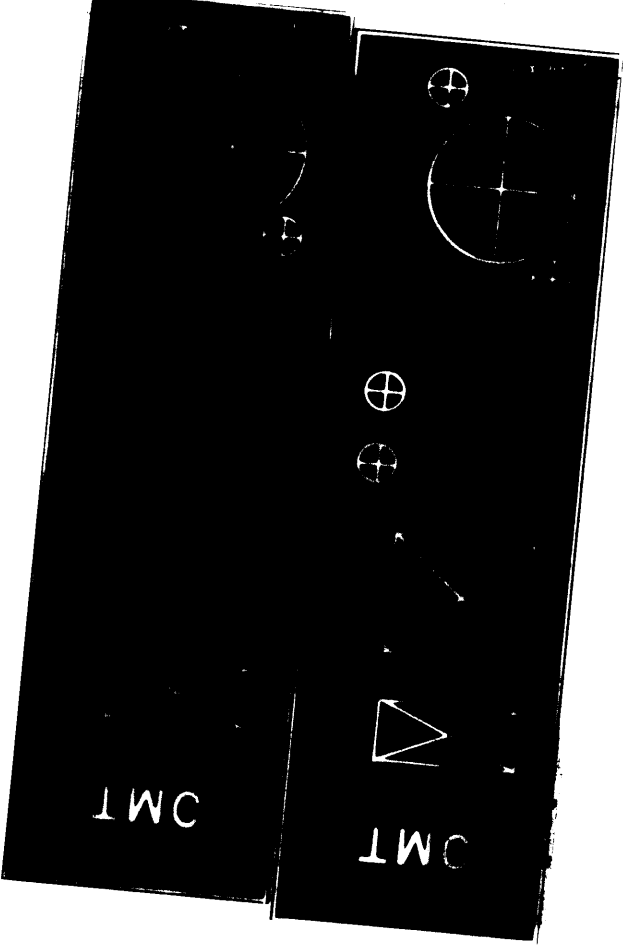
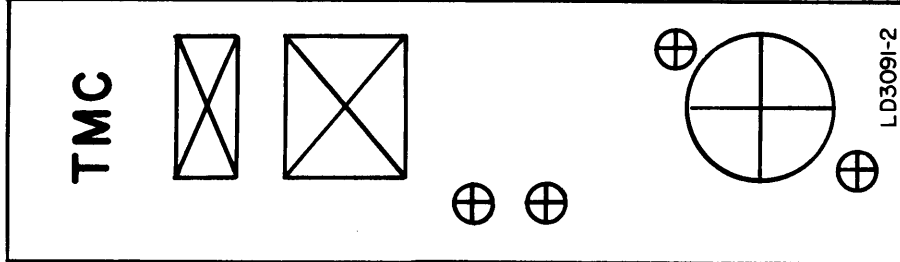
1. ALL LETTERING AND ARTWORK TO BE BLACK ON ALUMINUM BACKGROUND WITH ADHESIVE BACKING
2. REPRODUCE AS PER TMC SPEC 51222

| REVISIONS | | DATE | | APPROVED | |
|-----------|-------|------|------|----------|---------------------------------|
| EM.N NO. | DRAFT | CHKD | ZONE | LTR | DESCRIPTION |
| 1-1 | 11 | 11 | | 1 | ORIGINAL RELEASE FOR PRODUCTION |
| | | | | | 7-6-78 |

| REQ'D ITEM | PART NUMBER | DESCRIPTION | SYM. |
|---|-----------------|----------------------|-------|
| LIST OF MATERIAL | | | |
| FINAL APPROVAL | | DATE | |
| MECH. DES. | | DATE | |
| ELECT. DES. | | DATE | |
| CHECKED | | DATE | |
| DRAWN PH | | DATE 10-11-77 | |
| UNLESS OTHERWISE SPECIFIED DIMENSIONS ARE IN INCHES AND INCLUDE CHEMICALLY APPLIED OR PLATED FINISHES | | | |
| DECIMALS .X ± .05 .XX ± .01 .XXX ± .005 | | | |
| FRACTIONS 1/64 | | | |
| TOLS. ANGLES 0°-30' | | | |
| MATERIAL FINISH | | | |
| THE TECHNICAL MATERIEL CORPORATION claims proprietary right in the material disclosed hereon. This drawing is issued in confidence for engineering information only and may not be reproduced or used to manufacture anything shown hereon without permission from THE TECHNICAL MATERIEL CORPORATION to the user. This drawing is loaned for mutual assistance and is subject to recall at any time. | | | |
| 5 | RCST-1 | AX522A | |
| 5 | RCST-1 | AX5223 | |
| QTY / UNIT | MODEL USED ON | ASSY NO. | |
| APPLICATION | | | |
| CODE | | | |
| THE TECHNICAL MATERIEL CORP. | | MAMARONECK, NEW YORK | |
| MODULE LABEL | | (ECHO) | |
| SIZE | CODE IDENT. NO. | DWG NO. | ISSUE |
| B | 82679 | LD3091 | 1 |
| SCALE FULL | | SHEET 1 OF 4 | |

P/N LD3091-H REF. SHEET A

| | | | | | | | |
|---------|-------|------|------|-----|---------------------------------|--------|----------|
| EM.N.O. | DRAFT | CHKD | ZONE | LTR | DESCRIPTION | DATE | APPROVED |
| 1 | PH | WJ | | Ø | ORIGINAL RELEASE FOR PRODUCTION | 7-6-77 | |



NOTE:
 1. ALL LETTERING AND ART WORK TO BE BLACK ON ALUMINUM
 BACKGROUND WITH ADHESIVE BACKING
 2. REPRODUCE AS PER TMC SPEC S1222.

P/N LD3091-2 REF: SHEET 4

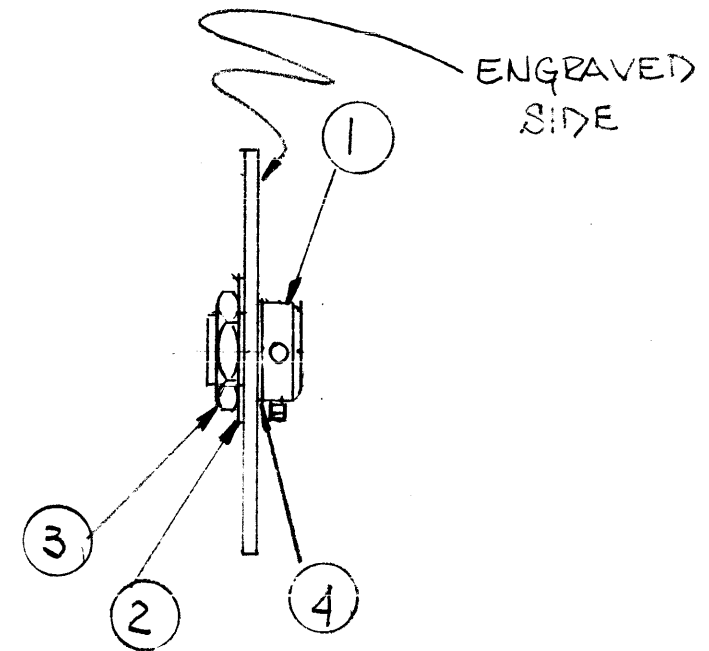
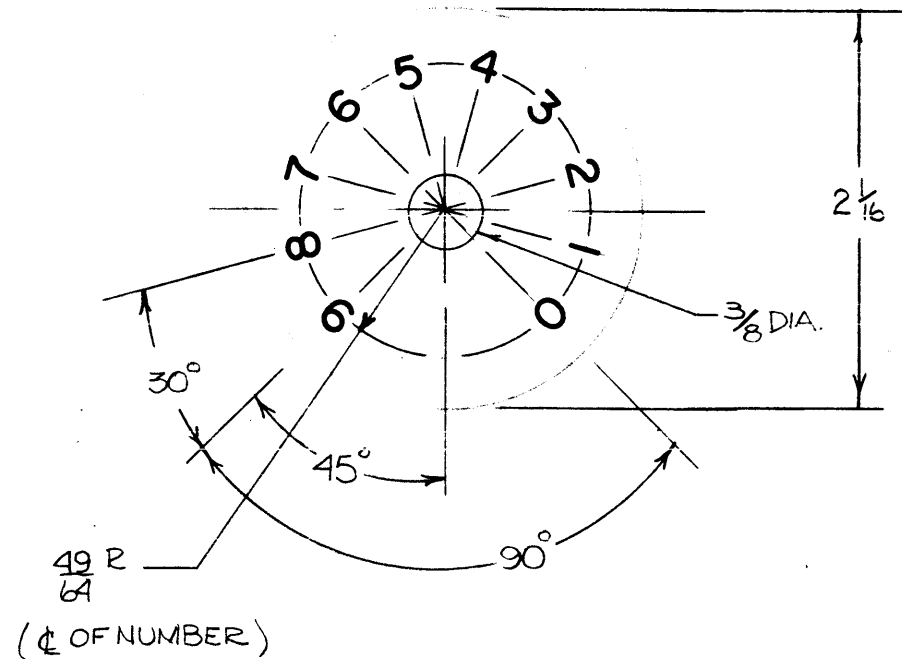
| REQ'D | ITEM | PART NUMBER | DESCRIPTION | SYM. |
|-------|------|-------------|--|-----------------|
| | | | LIST OF MATERIAL | |
| | | | THE TECHNICAL MATERIEL CORP. MAMARONECK, NEW YORK | |
| | | | MODULE LABEL (POWER SUPPLY) | |
| | | | SIZE | CODE IDENT. NO. |
| | | | B | 82679 |
| | | | DWG NO. | LD3091 |
| | | | ISSUE | Ø |
| | | | SCALE FULL | SHEET 2 OF 4 |

| | |
|----------------|---------------|
| FINAL APPROVAL | DATE |
| MECH. DES. | DATE |
| ELECT. DES. | DATE |
| CHECKED | DATE |
| DRAWN PH | DATE 10-17-77 |

| | |
|---|-----------|
| UNLESS OTHERWISE SPECIFIED DIMENSIONS ARE IN INCHES AND INCLUDE CHEMICALLY APPLIED OR PLATED FINISHES | AX5223 |
| RCST-1 | AX5224 |
| MODEL USED ON | ASS'Y NO. |
| APPLICATION | |
| QTY / UNIT | |
| CODE | |
| NOTICE TO PERSONS RECEIVING THIS DRAWING THE TECHNICAL MATERIEL CORPORATION claims proprietary right in the material disclosed hereon. This drawing is issued in confidence for engineering information only and may not be reproduced or used to manufacture anything shown hereon without permission from THE TECHNICAL MATERIEL CORPORATION to the user. This drawing is loaned for mutual assistance and is subject to recall at any time. | |

| | | |
|------------------|-----------------|-----------------|
| HEIGHT OF LETTER | DEPTH OF STROKE | WIDTH OF STROKE |
| 3/16 | SEE NOTE 2 | .025 |

| REVISIONS | | | | | | | |
|------------|-------|------|------|----------------|---------------------------------|---------|----------|
| E.M.N. NO. | DRAFT | CHKD | ZONE | LTR | DESCRIPTION | DATE | APPROVED |
| | RWS | | | X ₁ | COMPLETELY REDRAWN | 2/17/78 | |
| | CLL | WT | | Ø | ORIGINAL RELEASE FOR PRODUCTION | 6-5-78 | * |



| REQ'D | ITEM | PART NUMBER | DESCRIPTION | SYM. |
|-------|------|--------------|-------------|------|
| 1 | 4 | LWI 37MRN | LOCK WASHER | |
| 1 | 3 | NTH 3732BN16 | NUT HEX | |
| 1 | 2 | FW 37 HB | FLAT WASHER | |
| 1 | 1 | PM 1597 | HUB, DIAL | |

| REQ'D | ITEM | PART NUMBER | DESCRIPTION | SYM. |
|------------------|------|-------------|-------------|------|
| LIST OF MATERIAL | | | | |

| | | |
|----------------|------|---|
| FINAL APPROVAL | DATE | THE TECHNICAL MATERIEL CORP. MAMARONECK, NEW YORK |
| MECH. DES. | DATE | |
| ELECT. DES. | DATE | |
| CHECKED | DATE | |

| | | | |
|-------|---------|----------------------|-------|
| DRAWN | DATE | MARKING, DIAL | |
| RWS | 2/17/78 | SIZE | ISSUE |

| | | |
|-----------------|---------|-------|
| CODE IDENT. NO. | DWG NO. | ISSUE |
| 82679 | LD 3092 | Ø |

| | | |
|-------|-------|----|
| SCALE | SHEET | OF |
| 1:1 | | |

NOTES
 1- MATERIAL 1/16 THK LAMINATED LAMICOID #8000 BLACK FACING OVER WHITE CORE
 2- ENGRAVE FROM BLK SIDE THRU BLK FACING TO WHITE CORE
 3- ENGRAVING PER TMC SPEC 3566

| | | |
|-------------|---------------|-----------|
| 6 | CHG | |
| 6 | MMXR-ZB | BMA535 |
| QTY / UNIT | MODEL USED ON | ASS'Y NO. |
| APPLICATION | | |
| | CODE | |

UNLESS OTHERWISE SPECIFIED DIMENSIONS ARE IN INCHES AND INCLUDE CHEMICALLY APPLIED OR PLATED FINISHES

DECIMALS .X ± .05 .XX ± .01 .XXX ± .005

FRACTIONS 1/64

TOLS. ANGLES 0° -30'

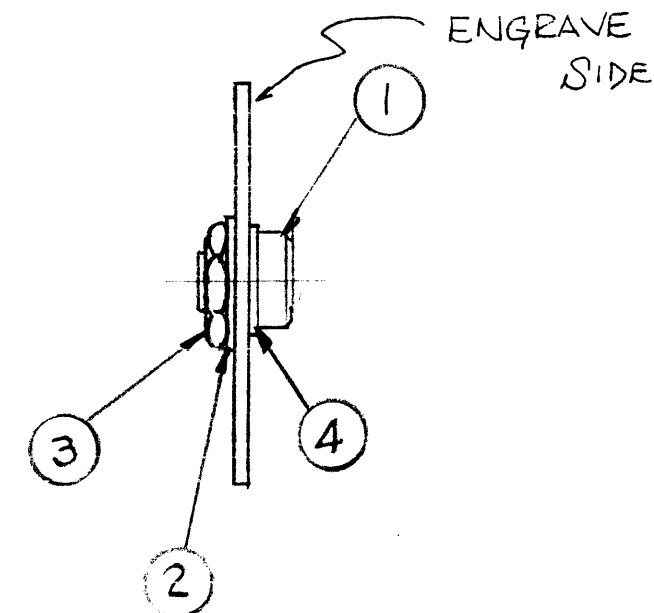
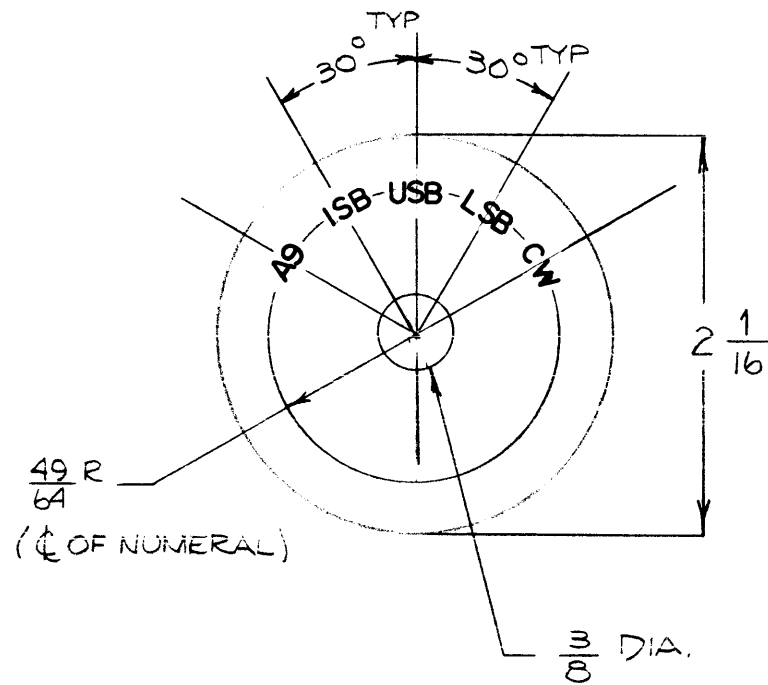
MATERIAL SEE Note

FINISH

NOTICE TO PERSONS RECEIVING THIS DRAWING
 THE TECHNICAL MATERIEL CORPORATION claims proprietary right in the material disclosed hereon. This drawing is issued in confidence for engineering information only and may not be reproduced or used to manufacture anything shown hereon without permission from THE TECHNICAL MATERIEL CORPORATION to the user. This drawing is loaned for mutual assistance and is subject to recall at any time.

| | | |
|------------------|-----------------|-----------------|
| HEIGHT OF LETTER | DEPTH OF STROKE | WIDTH OF STROKE |
| 1/8 | SEE NOTE 2 | .020 |

| REVISIONS | | | | | | | |
|------------|-------|------|------|-----|---------------------------------|---------|----------|
| E.M.N. NO. | DRAFT | CHKD | ZONE | LTR | DESCRIPTION | DATE | APPROVED |
| | RS | | | X1 | COMPLCTY REVISED | 2-21-78 | |
| | RS | W/S | | ① | ORIGINAL RELEASE FOR PRODUCTION | 6-5-78 | * |



NOTE:
 1- MATERIAL: 1/16 THK. LAMINATED LAMICOID #8000 BLACK FACING OVER----- WHITE CORE.
 2- ENGRAVE FROM BLK SIDE THUR BLK FACING TO WHITE CORE
 3- ENGRAVING PER TMC SPEC. S566

| REQ'D | ITEM | PART NUMBER | DESCRIPTION | SYM. |
|-------|------|---------------|-------------|------|
| 1 | 4 | LW137MRN | LOCK WASHER | |
| 1 | 3 | NTH 37 32RN16 | NUT, HEX | |
| 1 | 2 | FW 37 HB | FLAT WASHER | |
| 1 | 1 | PM 1597 | HUB, DIAL | |

LIST OF MATERIAL
THE TECHNICAL MATERIEL CORP.
 MAMARONECK, NEW YORK

| 1 | (CHG) AX5228 | |
|-------------|---------------|-----------|
| QTY / UNIT | MODEL USED ON | ASS'Y NO. |
| APPLICATION | | |
| CODE | | |

NOTICE TO PERSONS RECEIVING THIS DRAWING
 THE TECHNICAL MATERIEL CORPORATION claims proprietary right in the material disclosed hereon. This drawing is issued in confidence for engineering information only and may not be reproduced or used to manufacture anything shown hereon without permission from THE TECHNICAL MATERIEL CORPORATION to the user. This drawing is loaned for mutual assistance and is subject to recall at any time.

UNLESS OTHERWISE SPECIFIED DIMENSIONS ARE IN INCHES AND INCLUDE CHEMICALLY APPLIED OR PLATED FINISHES

| | |
|-------------|--------------|
| DECIMALS | FRACTIONS |
| .X ± .05 | 1/64 |
| .XX ± .01 | TOLS. ANGLES |
| .XXX ± .005 | 0° - 30' |

MATERIAL
 FINISH

| | |
|----------------|---------|
| FINAL APPROVAL | DATE |
| * O/S | 8/2/78 |
| MECH. DES. | DATE |
| ELECT. DES. | DATE |
| CHECKED | DATE |
| DRAWN | DATE |
| RS | 2-21-78 |

| | | | |
|-----------|-----------------|----------|-------|
| SIZE | CODE IDENT. NO. | DWG NO. | ISSUE |
| B | 82679 | LD 3093 | ① |
| SCALE 1:1 | | SHEET OF | |

5

4

3

2

1

| REVISIONS | | | | | | | |
|------------|-------|------|------|-----|---------------------------------|--------|----------|
| E.M.N. NO. | DRAFT | CHKD | ZONE | LTR | DESCRIPTION | DATE | APPROVED |
| 1 | PH | WJB | | Ø | ORIGINAL RELEASE FOR PRODUCTION | 6-5-78 | * |



MARKING PROCESS: AS PER TMC SPECIFICATION S727
 LETTERING: 1/8 HIGH BLACK GOTHIC, LOCATED AS SHOWN

REF: MS6005

| | | |
|-------------|---------------|-----------|
| I | CHG | |
| I | MMX | |
| QTY / UNIT | MODEL USED ON | ASS'Y NO. |
| APPLICATION | | |
| | CODE | |

NOTICE TO PERSONS RECEIVING THIS DRAWING
 THE TECHNICAL MATERIEL CORPORATION claims proprietary right in the material disclosed hereon. This drawing is issued in confidence for engineering information only and may not be reproduced or used to manufacture anything shown hereon without permission from THE TECHNICAL MATERIEL CORPORATION to the user. This drawing is loaned for mutual assistance and is subject to recall at any time.

UNLESS OTHERWISE SPECIFIED
 DIMENSIONS ARE IN INCHES
 AND INCLUDE CHEMICALLY APPLIED
 OR PLATED FINISHES

DECIMALS FRACTIONS
 .X ± .05 1/64
 .XX ± .01 TOLS. ANGLES
 .XXX ± .005 0° -30'

MATERIAL

 FINISH

| REQ'D | ITEM | PART NUMBER | DESCRIPTION | SYM. |
|--|-----------------|-------------|-------------|------|
| LIST OF MATERIAL | | | | |
| FINAL APPROVAL * <i>DB</i> DATE 6/5/78 | | | | |
| MECH. DES. <i>PH</i> DATE 11-29-77 | | | | |
| ELECT. DES. DATE | | | | |
| CHECKED <i>DB</i> DATE 11/3/77 | | | | |
| DRAWN PH DATE 11-3-77 | | | | |
| THE TECHNICAL MATERIEL CORP. MAMARONECK, NEW YORK | | | | |
| LETTERING, P.C. STIFFENER | | | | |
| SIZE | CODE IDENT. NO. | DWG NO. | ISSUE | |
| B | 82679 | LD3095 | Ø | |
| SCALE: FULL | | | SHEET | OF |

5

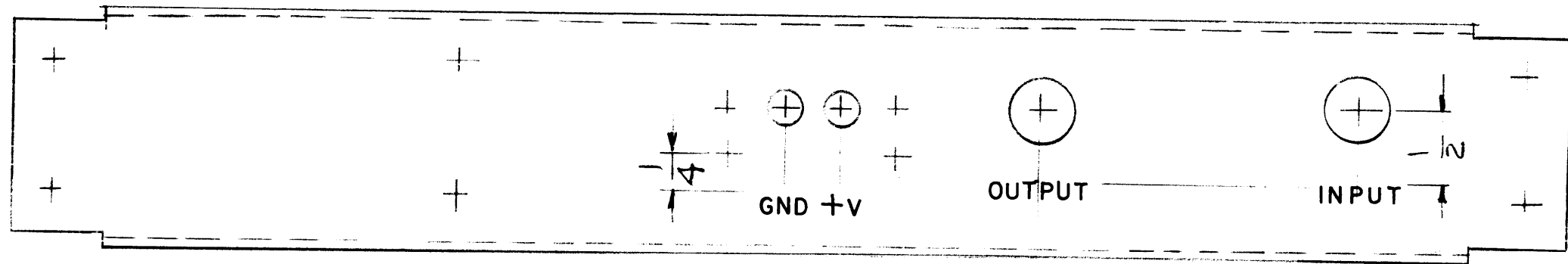
4

3

2

1

| REVISIONS | | | | | | | |
|------------|-------|------|------|-----|---------------------------------|---------|----------|
| E.M.N. NO. | DRAFT | CHKD | ZONE | LTR | DESCRIPTION | DATE | APPROVED |
| 2 | WAC | | | Ø | ORIGINAL RELEASE FOR PRODUCTION | 2-11-00 | JB |



MARKING PROCESS: AS PER TMC SPECIFICATION S727
 LETTERING: 1/8 HIGH BLACK GOTHIC, LOCATED AS SHOWN

REF: MS 6799

| REQ'D | ITEM | PART NUMBER | DESCRIPTION | SYM. |
|---|-----------------|----------------|-------------|------|
| LIST OF MATERIAL | | | | |
| THE TECHNICAL MATERIEL CORP. MAMARONECK, NEW YORK | | | | |
| MARKING REEL PLATE | | | | |
| UNLESS OTHERWISE SPECIFIED DIMENSIONS ARE IN INCHES AND INCLUDE CHEMICALLY APPLIED OR PLATED FINISHES | | FINAL APPROVAL | DATE | |
| DECIMALS .X ± .05 .XX ± .01 .XXX ± .005 | | MECH. DES. | DATE | |
| FRACTIONS 1/64 ANGLES 0°-30' | | ELECT. DES. | DATE | |
| MATERIAL | | CHECKED | DATE | |
| FINISH | | DRAWN | DATE | |
| | | G.D.L. | 7-8-77 | |
| SIZE | CODE IDENT. NO. | DWG NO. | ISSUE | |
| B | 82679 | LD3118 | Ø | |
| SCALE | 1:1 | | SHEET | OF |

| QTY / UNIT | MODEL USED ON | ASS'Y NO. |
|---|---------------|-----------|
| | | REF-1 |
| APPLICATION | | |
| | CODE | |
| <p>NOTICE TO PERSONS RECEIVING THIS DRAWING THE TECHNICAL MATERIEL CORPORATION claims proprietary right in the material disclosed hereon. This drawing is issued in confidence for engineering information only and may not be reproduced or used to manufacture anything shown hereon without permission from THE TECHNICAL MATERIEL CORPORATION to the user. This drawing is loaned for mutual assistance and is subject to recall at any time.</p> | | |

5

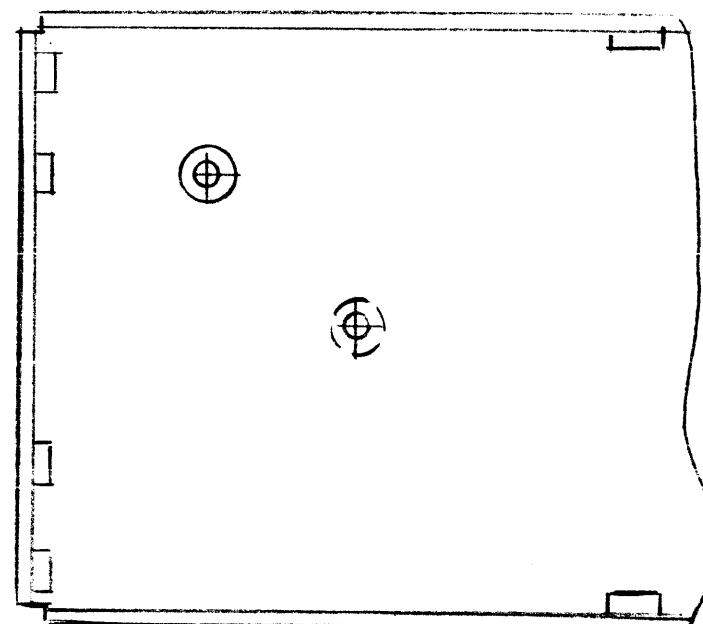
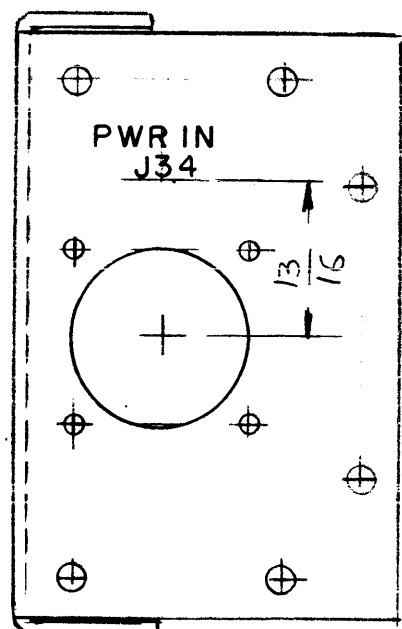
4

3

2

1

| REVISIONS | | | | | | |
|------------|-------|------|------|-----|---------------------------------|--------|
| E.M.N. NO. | DRAFT | CHKD | ZONE | LTR | DESCRIPTION | DATE |
| | | | | Ø | ORIGINAL RELEASE FOR PRODUCTION | 226 80 |



MARKING PROCESS: AS PER TMC SPECIFICATION S727
 LETTERING: 1/8 HIGH BLACK GOTHIC, LOCATED AS SHOWN

REF: MS 6971

| REQ'D | ITEM | PART NUMBER | DESCRIPTION | SYM. |
|---|------|----------------|-------------|---|
| LIST OF MATERIAL | | | | |
| UNLESS OTHERWISE SPECIFIED DIMENSIONS ARE IN INCHES AND INCLUDE CHEMICALLY APPLIED OR PLATED FINISHES | | FINAL APPROVAL | DATE | THE TECHNICAL MATERIEL CORP. MAMARONECK, NEW YORK MARKING, RIGHT SIDE PLATE |
| DECIMALS .X ± .05 .XX ± .01 .XXX ± .005 | | MECH. DES. | DATE | |
| FRACTIONS 1/64 ANGLES 0° .30' | | ELECT. DES. | DATE | |
| MATERIAL | | CHECKED | DATE | |
| FINISH | | DRAWN | DATE | SIZE B CODE IDENT. NO. 82679 DWG NO. LD 3119 ISSUE Ø |
| NOTICE TO PERSONS RECEIVING THIS DRAWING THE TECHNICAL MATERIEL CORPORATION claims proprietary right in the material disclosed hereon. This drawing is issued in confidence for engineering information only and may not be reproduced or used to manufacture anything shown hereon without permission from THE TECHNICAL MATERIEL CORPORATION to the user. This drawing is loaned for mutual assistance and is subject to recall at any time. | | SCALE 1:1 | | SHEET OF |

5

4

3

2

1

5

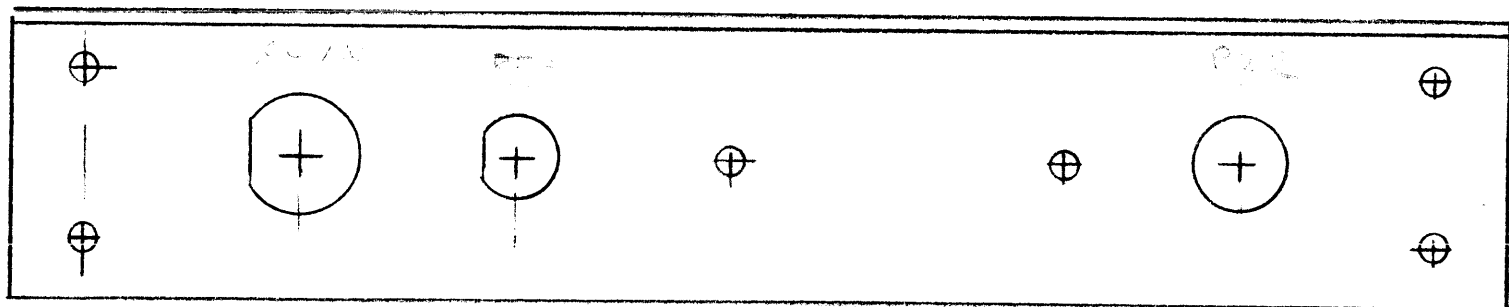
4

3

2

1

| REVISIONS | | | | | | | |
|------------|-------|------|------|-----|-------------|------|----------|
| E.M.N. NO. | DRAFT | CHKD | ZONE | LTR | DESCRIPTION | DATE | APPROVED |



MARKING PROCESS: AS PER TMC SPECIFICATION S727
 LETTERING: 1/8 HIGH BLACK GOTHIC, LOCATED AS SHOWN

REF: MS 7011

| | | |
|-------------|---------------|-----------|
| 1 | FCU-1 | |
| QTY / UNIT | MODEL USED ON | ASS'Y NO. |
| APPLICATION | | |
| | CODE | |

NOTICE TO PERSONS RECEIVING THIS DRAWING
 THE TECHNICAL MATERIEL CORPORATION claims proprietary right in the material disclosed hereon. This drawing is issued in confidence for engineering information only and may not be reproduced or used to manufacture anything shown hereon without permission from THE TECHNICAL MATERIEL CORPORATION to the user. This drawing is loaned for mutual assistance and is subject to recall at any time.

| | |
|---|--|
| UNLESS OTHERWISE SPECIFIED DIMENSIONS ARE IN INCHES AND INCLUDE CHEMICALLY APPLIED OR PLATED FINISHES | |
| DECIMALS .X ± .05 .XX ± .01 .XXX ± .005 | FRACTIONS 1/64 ANGLES 0° .30' |
| MATERIAL | |
| FINISH | |

| REQ'D | ITEM | PART NUMBER | DESCRIPTION | SYM. |
|--|-----------------|-------------|-------------|------|
| LIST OF MATERIAL | | | | |
| THE TECHNICAL MATERIEL CORP. MAMARONECK, NEW YORK | | | | |
| MARKING REAR PLATE | | | | |
| SIZE | CODE IDENT. NO. | DWG NO. | ISSUE | |
| B | 82679 | LD3122 | X | |
| SCALE | 1:1 | SHEET | OF | |

D

D

C

C

B

B

A

A

5

4

3

2

1

5

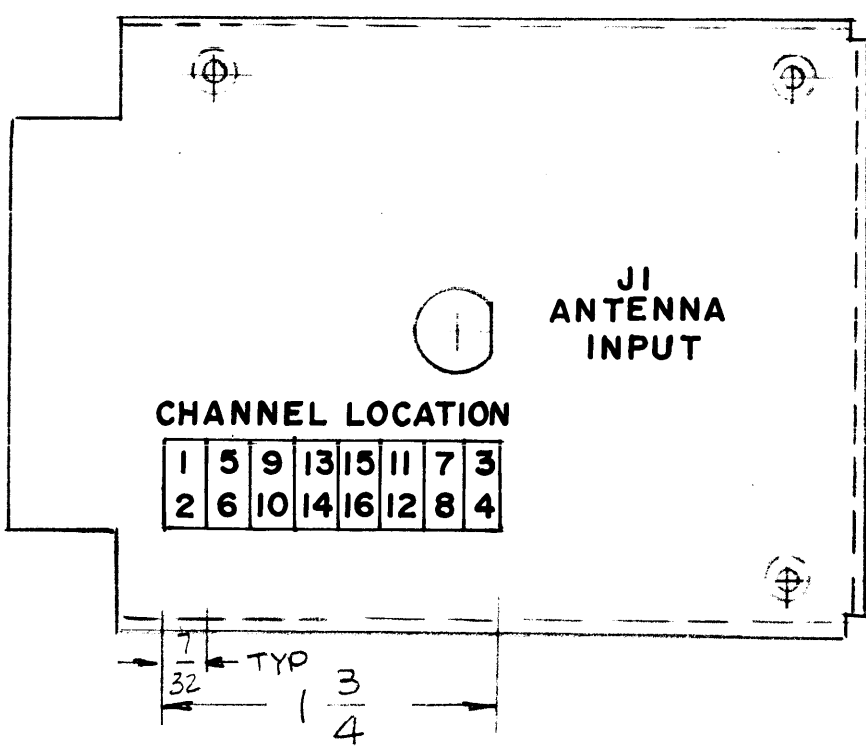
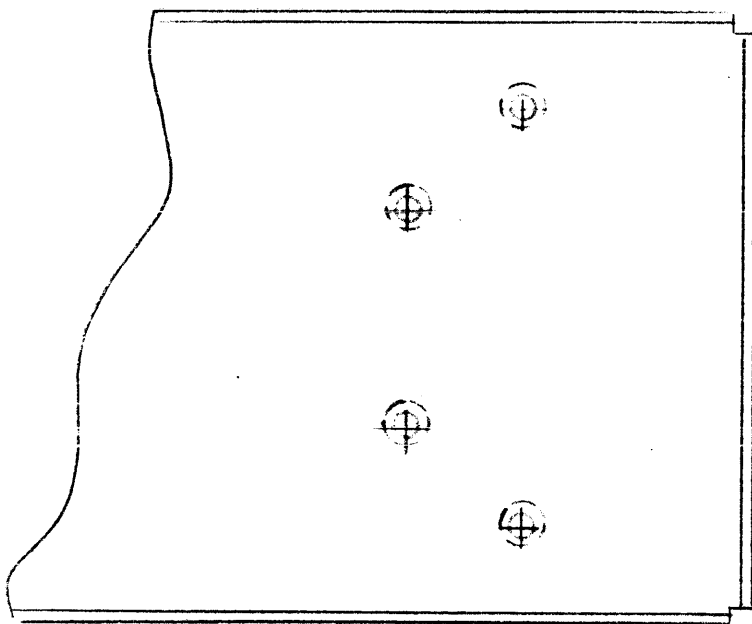
4

3

2

1

| REVISIONS | | | | | | |
|------------|-------|------|------|-----|------------------|--------|
| E.M.N. NO. | DRAFT | CHKD | ZONE | LTR | DESCRIPTION | DATE |
| | | DU | | R | ORIGINAL RELEASE | 5-8-80 |



MARKING PROCESS: AS PER TMC SPECIFICATION S727
 LETTERING: 1/8 HIGH BLACK GOTHIC, LOCATED AS SHOWN

REF MS7018

| REQ'D | ITEM | PART NUMBER | DESCRIPTION | SYM. | |
|---|------|--|---------------------------------|---------------------------|-------------------|
| LIST OF MATERIAL | | | | | |
| THE TECHNICAL MATERIEL CORP. MAMARONECK, NEW YORK | | | | | |
| MARKING, LEFT SIDE PLATE | | | | | |
| UNLESS OTHERWISE SPECIFIED DIMENSIONS ARE IN INCHES AND INCLUDE CHEMICALLY APPLIED OR PLATED FINISHES | | FINAL APPROVAL <i>EDB</i> | DATE <i>7/1/80</i> | | |
| DECIMALS .X ± .05 .XX ± .01 .XXX ± .005 | | FRACTIONS 1/64 ANGLES 0° -30' | ELECT. DES. | DATE | |
| MATERIAL | | CHECKED | DATE | | |
| FINISH | | DRAWN <i>G.D.L</i> | DATE <i>1-12-80</i> | | |
| NOTICE TO PERSONS RECEIVING THIS DRAWING THE TECHNICAL MATERIEL CORPORATION claims proprietary right in the material disclosed hereon. This drawing is issued in confidence for engineering information only and may not be reproduced or used to manufacture anything shown hereon without permission from THE TECHNICAL MATERIEL CORPORATION to the user. This drawing is loaned for mutual assistance and is subject to recall at any time. | | SIZE B | CODE IDENT. NO. 82679 | DWG NO. LD 3124 | ISSUE <i>1</i> |
| SCALE 1:1 | | | SHEET | OF | |

| | | |
|--------------------|---------------|-----------|
| AMC-21C | | |
| QTY / UNIT | MODEL USED ON | ASS'Y NO. |
| APPLICATION | | |
| CODE | | |

5

4

3

2

1

5

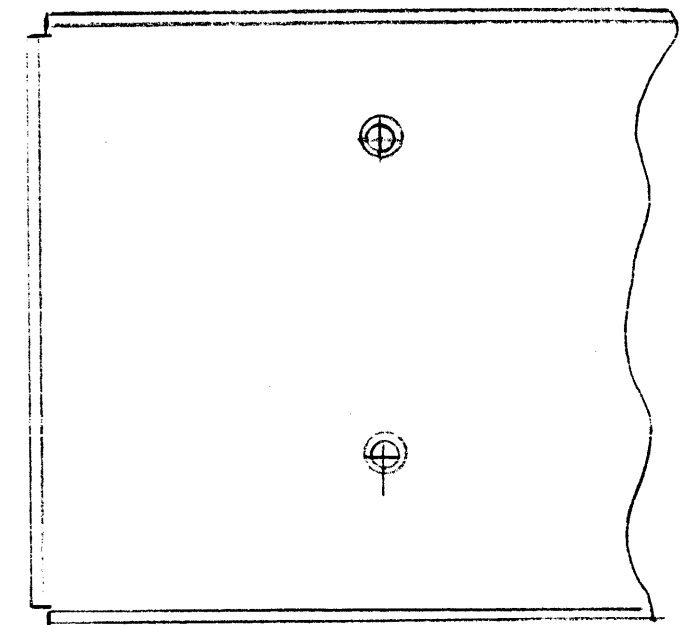
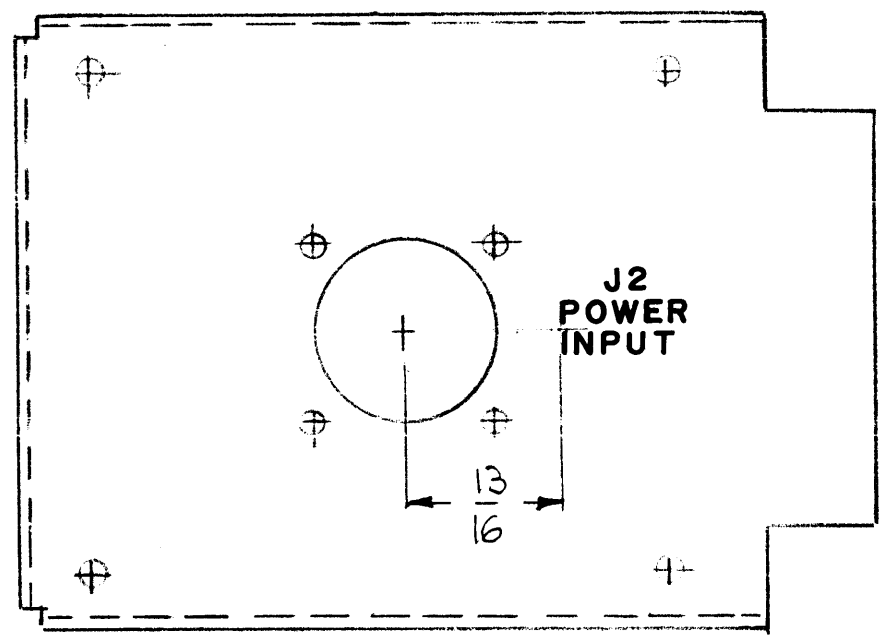
4

3

2

1

| REVISIONS | | | | | | | |
|------------|-------|-----------|------|----------|------------------|--------|----------|
| E.M.N. NO. | DRAFT | CHKD | ZONE | LTR | DESCRIPTION | DATE | APPROVED |
| | | <i>dw</i> | | <i>Ø</i> | ORIGINAL RELEASE | 5-6-80 | |



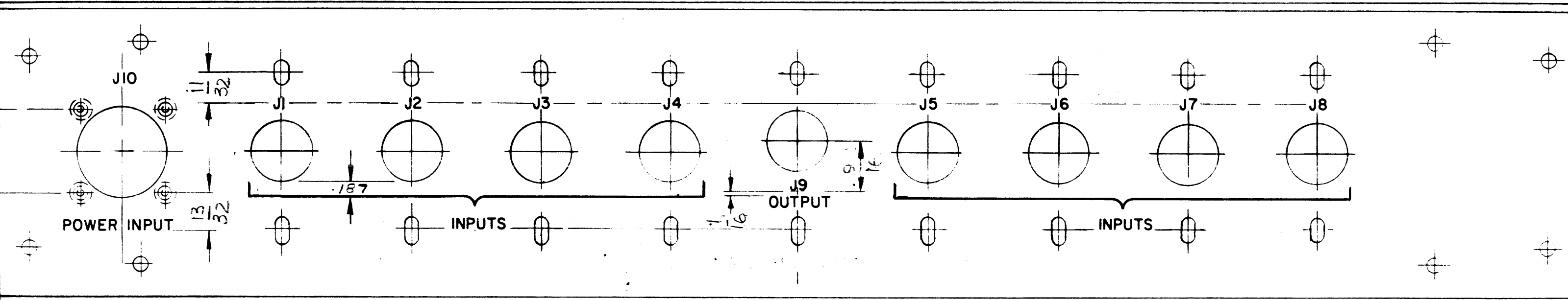
MARKING PROCESS: AS PER TMC SPECIFICATION S727
 LETTERING: 1/8 HIGH BLACK GOTHIC, LOCATED AS SHOWN

| | | |
|---|---------------|-----------|
| 1 | AMC-21C | |
| QTY / UNIT | MODEL USED ON | ASS'Y NO. |
| APPLICATION | | |
| | CODE | |
| NOTICE TO PERSONS RECEIVING THIS DRAWING THE TECHNICAL MATERIEL CORPORATION claims proprietary right in the material disclosed hereon. This drawing is issued in confidence for engineering information only and may not be reproduced or used to manufacture anything shown hereon without permission from THE TECHNICAL MATERIEL CORPORATION to the user. This drawing is loaned for mutual assistance and is subject to recall at any time. | | |

| | | | | | |
|---|--|--------------------------|---------------------|--|-----------------|
| UNLESS OTHERWISE SPECIFIED DIMENSIONS ARE IN INCHES AND INCLUDE CHEMICALLY APPLIED OR PLATED FINISHES | | FINAL APPROVAL <i>DB</i> | DATE <i>7/9/80</i> | THE TECHNICAL MATERIEL CORP. MAMARONECK, NEW YORK | |
| DECIMALS .X ± .05 .XX ± .01 .XXX ± .005 | FRACTIONS 1/64 ANGLES 0° .30' | MECH. DES. | DATE | MARKING, RIGHT SIDE PLATE | |
| MATERIAL | | ELECT. DES. | DATE | SIZE B | |
| FINISH | | CHECKED | DATE | CODE IDENT. NO. 82679 | DWG NO. LD 3125 |
| | | DRAWN <i>G.D.L</i> | DATE <i>1-12-80</i> | ISSUE <i>Ø</i> | |
| | | SCALE 1:1 | | SHEET OF | |

REF: MS7020

| REVISIONS | | | | | | |
|-----------|-----|---------------------------------|---------|----------|-------|-----------|
| ZONE | LTR | DESCRIPTION | DATE | E.M.N.NO | DRAFT | CHKD APPD |
| | Ø | ORIGINAL RELEASE FOR PRODUCTION | 7/24/83 | | | |



NOTE :-
 MARKING PROCESS:
 AS PER TMC SPEC 727
 LETTERING 1/8 BLACK GOTHIC LOCATED AS SHOWN.

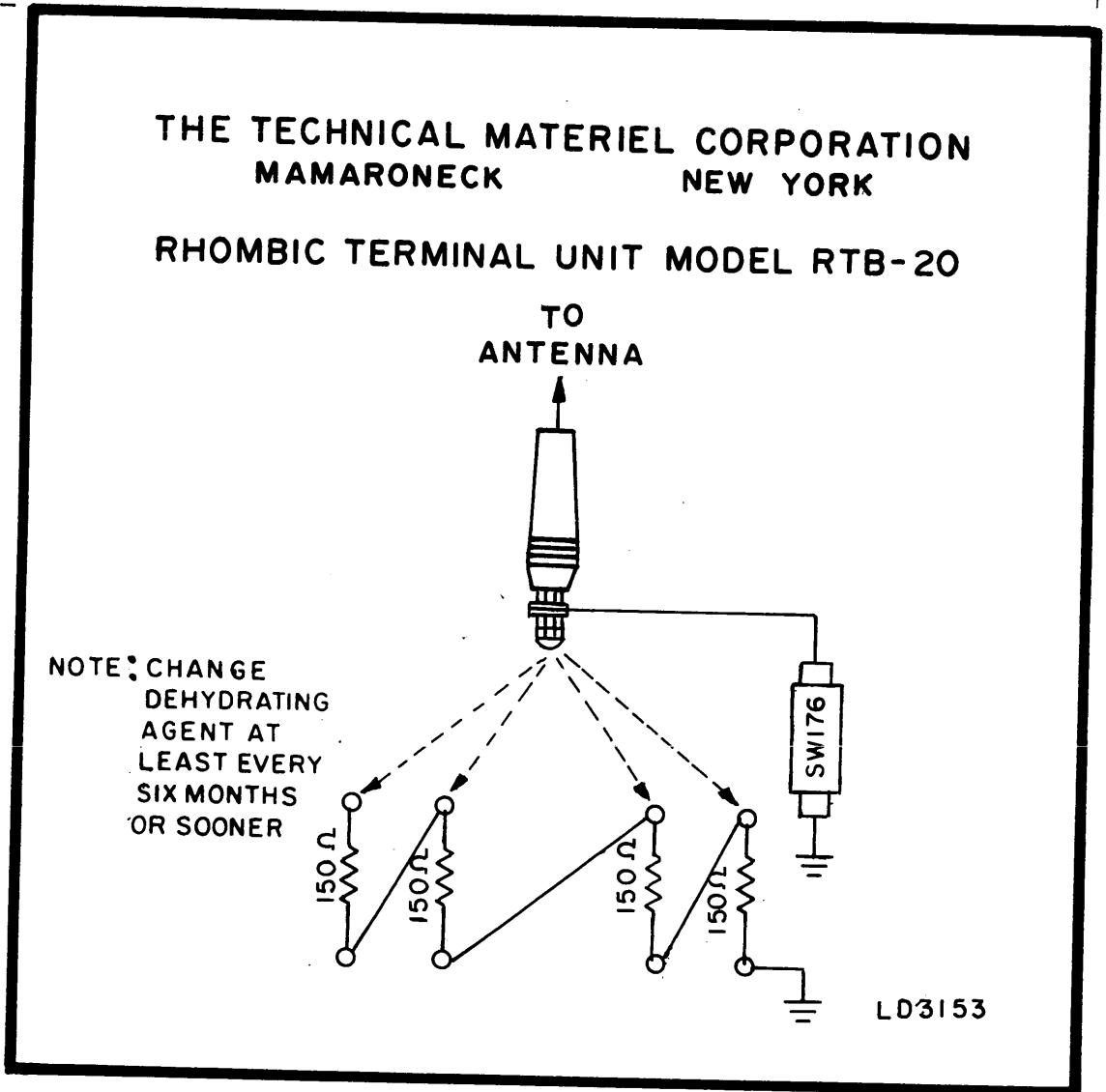
REF: MS7115

| | | |
|---|---------------|-----------|
| QTY / UNIT | MODEL USED ON | ASS'Y NO. |
| | MAC-2 | |
| APPLICATION | | |
| CODE | | |
| NOTICE TO PERSONS RECEIVING THIS DRAWING THE TECHNICAL MATERIEL CORPORATION claims proprietary right in the material disclosed hereon. This drawing is issued in confidence for engineering information only and may not be reproduced or used to manufacture anything shown hereon without permission from THE TECHNICAL MATERIEL CORPORATION to the user. This drawing is loaned for mutual assistance and is subject to recall at any time. | | |

| | | |
|---|----------------|---------|
| UNLESS OTHERWISE SPECIFIED DIMENSIONS ARE IN INCHES AND INCLUDE CHEMICALLY APPLIED OR PLATED FINISHES | FINAL APPROVAL | DATE |
| DECIMALS .X ± .05 .XX ± .01 .XXX ± .005 | MECH. DES. | DATE |
| FRACTIONS 1/64 ANGLES 0°-30' | ELECT. DES. | DATE |
| MATERIAL | CHECKED | DATE |
| FINISH | DRAWN | DATE |
| | G.D.L. | 6-24-83 |

| REQ'D | ITEM | PART NUMBER | DESCRIPTION | SYM. |
|--|-----------------|-------------|-------------|------|
| LIST OF MATERIAL | | | | |
| THE TECHNICAL MATERIEL CORP. MAMARONECK, NEW YORK | | | | |
| MARKING REAR PLATE | | | | |
| SIZE | CODE IDENT. NO. | DWG NO. | ISSUE | |
| B | 82679 | LD3149 | Ø | |
| SCALE | 1:1 | SHEET | 2 OF 2 | |

| REVISIONS | | | | | | | |
|------------|-------|------|------|-----|----------------------------------|---------|----------|
| E.M.N. NO. | DRAFT | CHKD | ZONE | LTR | DESCRIPTION | DATE | APPROVED |
| | GDL | | | 3 | ORIGINAL DESIGNED FOR PRODUCTION | 4-17-84 | |



NOTE: 1 - ALL LETTERING AND ARTWORK TO BE BLACK ON ALUMINUM BACKGROUND, WITH ADHESIVE BACKING
 2 - REPRODUCTION METHOD: AS PER TMC SPEC S1222

| | | | |
|---|---------------|-----------|--|
| 1 | | RTB -20 | |
| QTY / UNIT | MODEL USED ON | ASS'Y NO. | |
| APPLICATION | | | |
| | | CODE | |
| NOTICE TO PERSONS RECEIVING THIS DRAWING THE TECHNICAL MATERIEL CORPORATION claims proprietary right in the material disclosed hereon. This drawing is issued in confidence for engineering information only and may not be reproduced or used to manufacture anything shown hereon without permission from THE TECHNICAL MATERIEL CORPORATION to the user. This drawing is loaned for mutual assistance and is subject to recall at any time. | | | |

| | |
|---|--|
| UNLESS OTHERWISE SPECIFIED DIMENSIONS ARE IN INCHES AND INCLUDE CHEMICALLY APPLIED OR PLATED FINISHES | |
| DECIMALS .X ± .05 .XX ± .01 .XXX ± .005 | FRACTIONS 1/64 ANGLES 0° -30' |
| MATERIAL | |
| FINISH | |

| REQ'D | ITEM | PART NUMBER | DESCRIPTION | SYM. |
|---|-----------------|-------------|-------------|------|
| LIST OF MATERIAL | | | | |
| THE TECHNICAL MATERIEL CORP. MAMARONECK, NEW YORK | | | | |
| SCHEMATIC, DIAGRAM MODEL RTB-20 | | | | |
| SIZE | CODE IDENT. NO. | DWG NO. | ISSUE | |
| B | 82679 | LD 3153 | | |
| SCALE | SHEET | | | OF |
| | 1 | | | 1 |

5

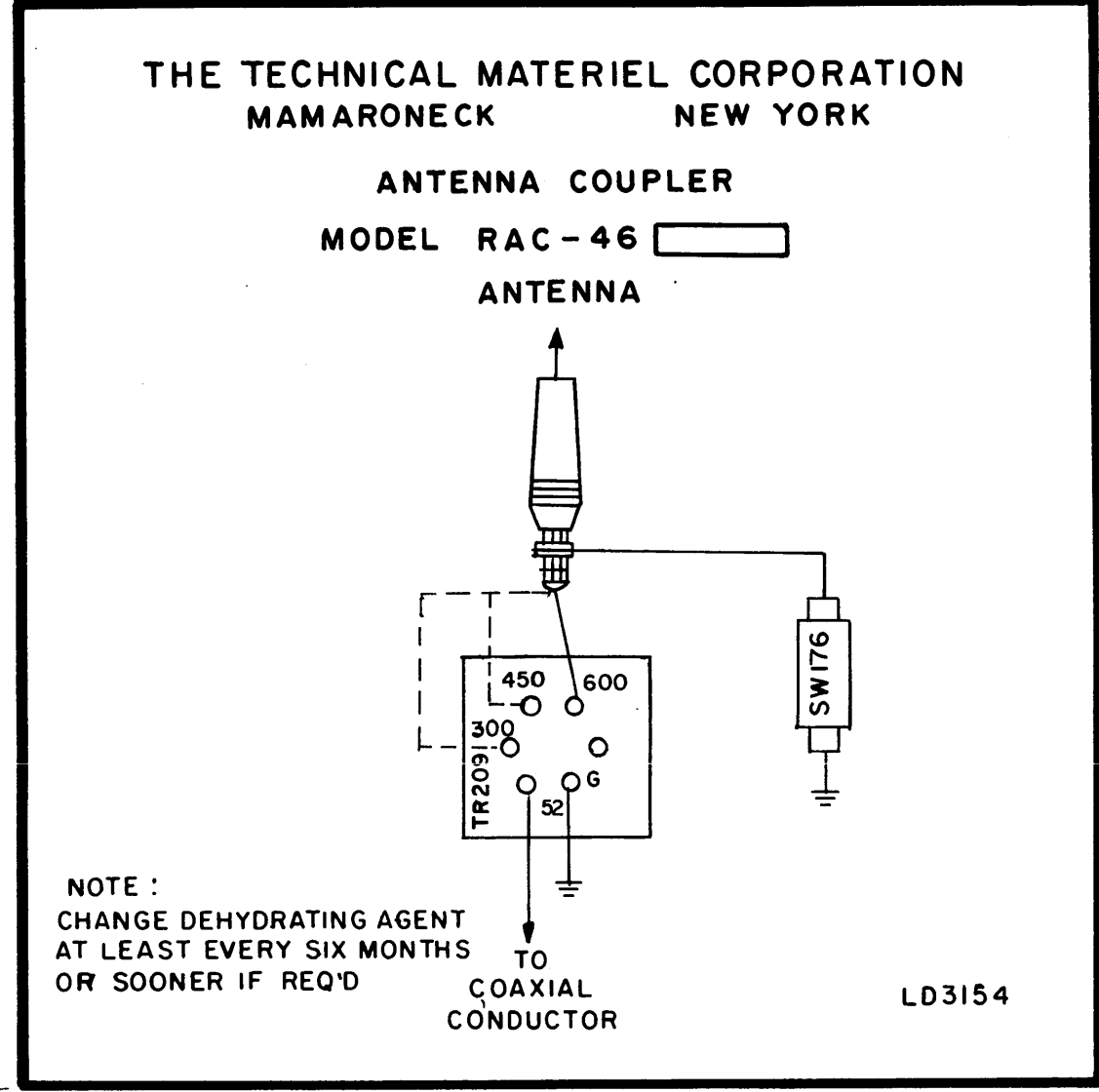
4

3

2

1

| REVISIONS | | | | | | | |
|------------|-------|------|------|-----|---------------------------------|---------|----------|
| E.M.N. NO. | DRAFT | CHKD | ZONE | LTR | DESCRIPTION | DATE | APPROVED |
| | | | | | ORIGINAL RELEASE FOR PRODUCTION | 4-17-84 | |



5 $\frac{3}{4}$

5 $\frac{3}{4}$

NOTE : 1 - ALL LETTERING AND ARTWORK TO BE BLACK ON AL ALUMINIUM BACKGROUND, WITH ADHESIVE BACKING
 2 - REPRODUCTION METHOD AS PER TMC SPEC S1222

| | |
|---|---------------|
| RAC-46 | |
| QTY / UNIT | MODEL USED ON |
| APPLICATION | |
| | CODE |
| NOTICE TO PERSONS RECEIVING THIS DRAWING THE TECHNICAL MATERIEL CORPORATION claims proprietary right in the material disclosed hereon. This drawing is issued in confidence for engineering information only and may not be reproduced or used to manufacture anything shown hereon without permission from THE TECHNICAL MATERIEL CORPORATION to the user. This drawing is loaned for mutual assistance and is subject to recall at any time. | |

UNLESS OTHERWISE SPECIFIED DIMENSIONS ARE IN INCHES AND INCLUDE CHEMICALLY APPLIED OR PLATED FINISHES

| | |
|-------------|--------------|
| DECIMALS | FRACTIONS |
| .X ± .05 | 1/64 |
| .XX ± .01 | TOLS. ANGLES |
| .XXX ± .005 | 0° -30' |

MATERIAL
SEE NOTE 2

FINISH

| REQ'D | ITEM | PART NUMBER | DESCRIPTION | SYM. |
|---|--------------------------|-------------------|-------------|------|
| LIST OF MATERIAL | | | | |
| THE TECHNICAL MATERIEL CORP. MAMARONECK, NEW YORK | | | | |
| DIAGRAM SCHEMATIC | | | | |
| FINAL APPROVAL <i>[Signature]</i> | | DATE 3-24 | | |
| MECH. DES. | | DATE | | |
| ELECT. DES. | | DATE | | |
| CHECKED | | DATE | | |
| DRAWN G.D.L. | | DATE 4-1-84 | | |
| SIZE B | CODE IDENT. NO. 82679 | DWG NO. LD3154 | ISSUE 1 | |
| SCALE | | | SHEET | OF |

D

C

B

A

D

C

B

A

5

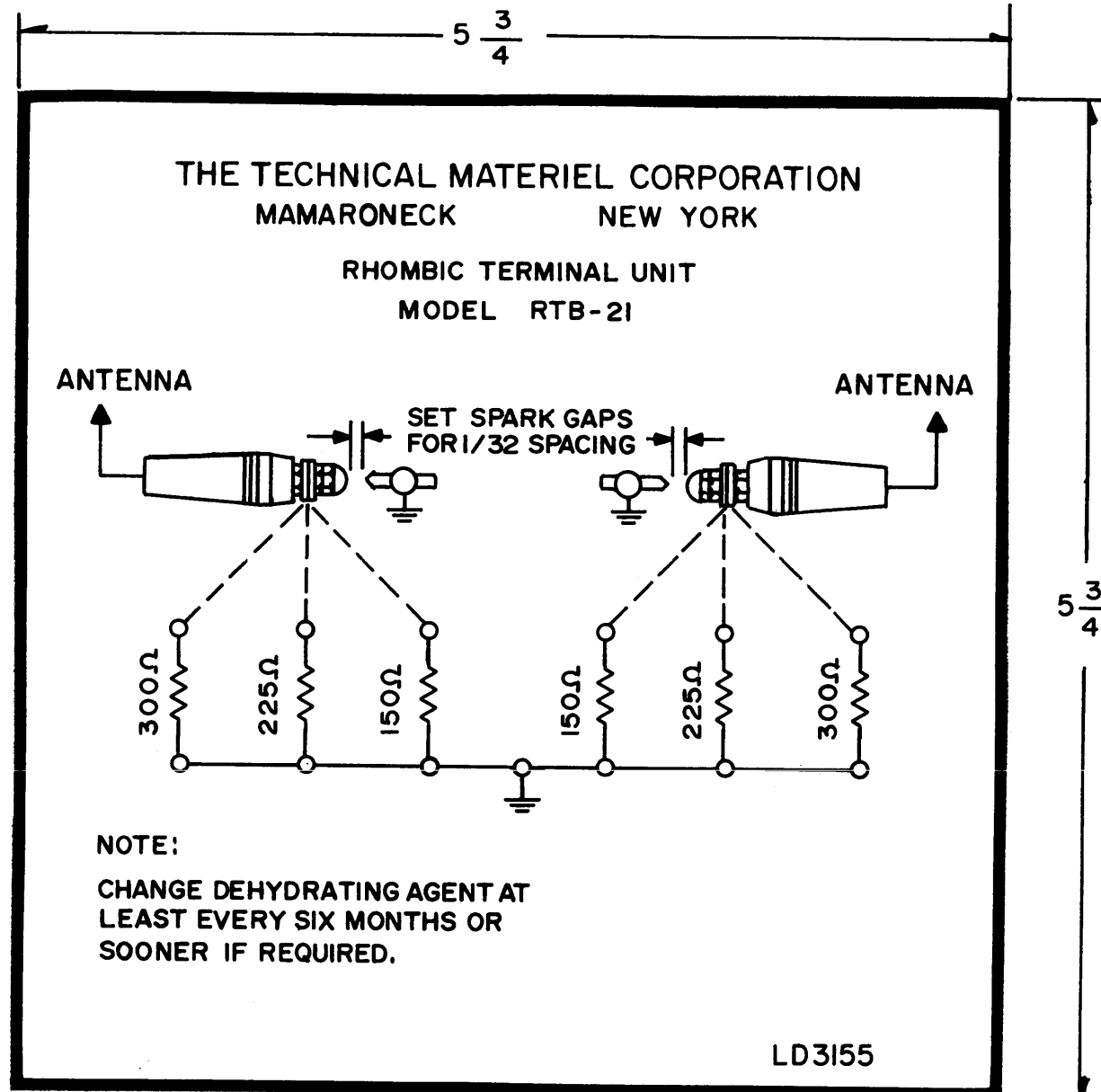
4

3

2

1

| REVISIONS | | | | | | | |
|------------|-------|------|------|-----|-------------|------|----------|
| E.M.N. NO. | DRAFT | CHKD | ZONE | LTR | DESCRIPTION | DATE | APPROVED |
| | | | | | | | |



NOTES:
 1. ALL LETTERING AND ARTWORK TO BE BLACK ON ALUMINIUM BACKGROUND WITH ADHESIVE BACKING.
 2. REPRODUCTION METHOD AS PER TMC SPECS 1222.

| RTB 21 | | |
|-------------|---------------|-----------|
| QTY / UNIT | MODEL USED ON | ASS'Y NO. |
| APPLICATION | | |
| | CODE | |

NOTICE TO PERSONS RECEIVING THIS DRAWING
 THE TECHNICAL MATERIEL CORPORATION claims proprietary right in the material disclosed hereon. This drawing is issued in confidence for engineering information only and may not be reproduced or used to manufacture anything shown hereon without permission from THE TECHNICAL MATERIEL CORPORATION to the user. This drawing is loaned for mutual assistance and is subject to recall at any time.

UNLESS OTHERWISE SPECIFIED DIMENSIONS ARE IN INCHES AND INCLUDE CHEMICALLY APPLIED OR PLATED FINISHES

| | |
|-------------|-----------|
| DECIMALS | FRACTIONS |
| .X ± .05 | 1/64 |
| .XX ± .01 | ANGLES |
| .XXX ± .005 | 0° .30' |

MATERIAL

FINISH

| REQ'D | ITEM | PART NUMBER | DESCRIPTION | SYM. |
|---|------|-------------|-----------------|----------|
| LIST OF MATERIAL | | | | |
| THE TECHNICAL MATERIEL CORP. MAMARONECK, NEW YORK | | | | |
| <i>Schematic Diagram</i> RTB 21 | | | | |
| | | | SIZE | ISSUE |
| | | | B | |
| | | | CODE IDENT. NO. | DWG NO. |
| | | | 82679 | LD3155 |
| | | | SCALE | SHEET OF |

5

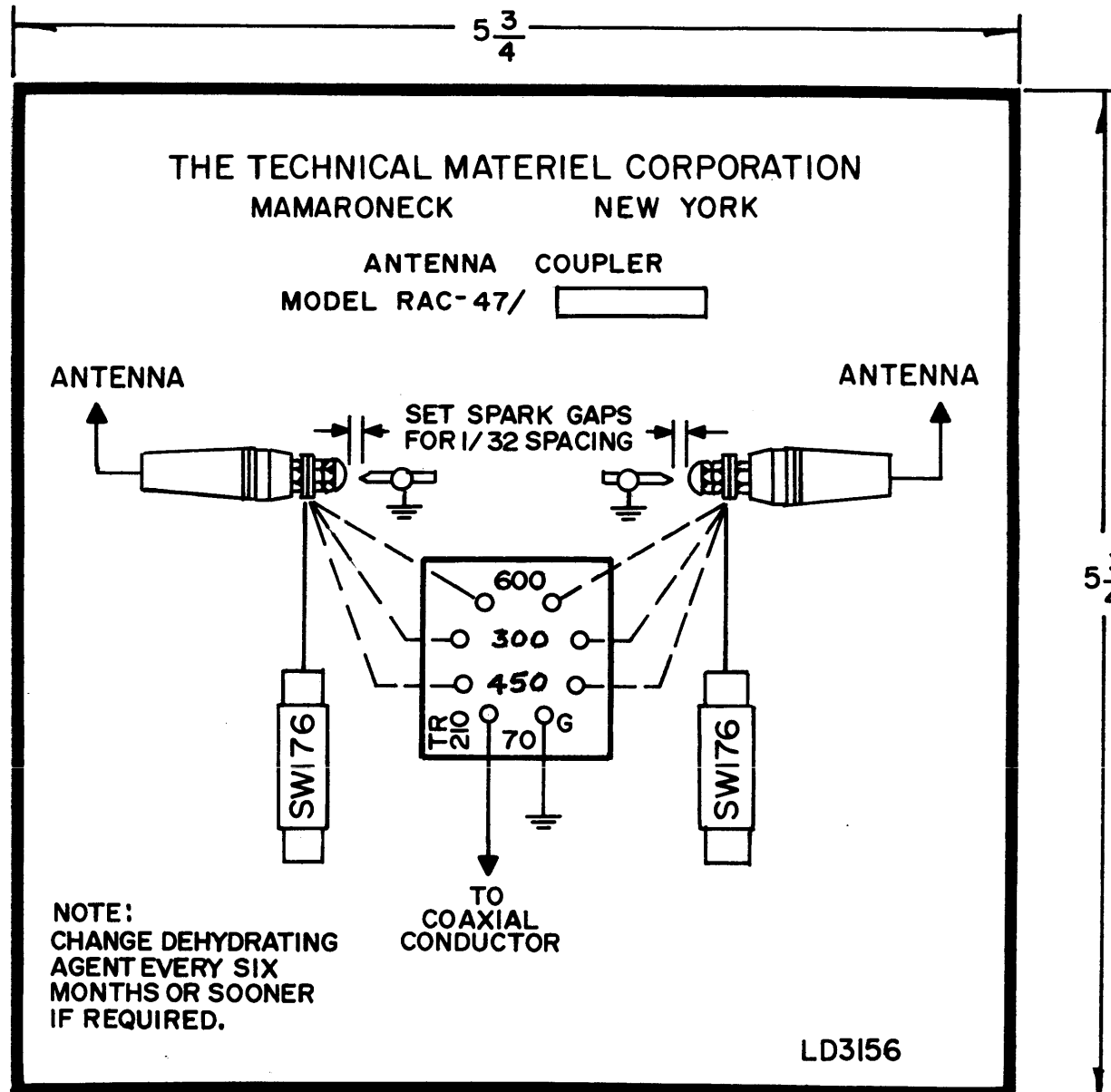
4

3

2

1

| REVISIONS | | | | | | | |
|------------|-------|------|------|-----|-------------|------|----------|
| E.M.N. NO. | DRAFT | CHKD | ZONE | LTR | DESCRIPTION | DATE | APPROVED |
| | | | | | | | |



NOTE:
 1) ALL LETTERING AND ARTWORK TO BE BLACK ON ALUMINUM BACKGROUND, WITH ADHESIVE BACKING.
 2) REPRODUCTION METHOD AS PER TMC SPEC S1222.

| RAC 47/ | | |
|-------------|---------------|-----------|
| QTY / UNIT | MODEL USED ON | ASS'Y NO. |
| APPLICATION | | |
| CODE | | |

NOTICE TO PERSONS RECEIVING THIS DRAWING
 THE TECHNICAL MATERIEL CORPORATION claims proprietary right in the material disclosed hereon. This drawing is issued in confidence for engineering information only and may not be reproduced or used to manufacture anything shown hereon without permission from THE TECHNICAL MATERIEL CORPORATION to the user. This drawing is loaned for mutual assistance and is subject to recall at any time.

UNLESS OTHERWISE SPECIFIED DIMENSIONS ARE IN INCHES AND INCLUDE CHEMICALLY APPLIED OR PLATED FINISHES

| DECIMALS | FRACTIONS |
|-------------|-----------|
| .X ± .05 | 1/64 |
| .XX ± .01 | ANGLES |
| .XXX ± .005 | 0° - 30' |

MATERIAL
 FINISH

| REQ'D | ITEM | PART NUMBER | DESCRIPTION | SYM. |
|--|-----------------|-------------|-------------|------|
| LIST OF MATERIAL | | | | |
| THE TECHNICAL MATERIEL CORP. MAMARONECK, NEW YORK | | | | |
| SCHEMATIC DIAGRAM RAC-47/ | | | | |
| SIZE | CODE IDENT. NO. | DWG NO. | ISSUE | |
| B | 82679 | LD3156 | | |
| SCALE | SHEET | | | OF |

| FINAL APPROVAL | DATE |
|--------------------|---------|
| <i>[Signature]</i> | 8/21/84 |
| MECH. DES. | DATE |
| | |
| ELECT. DES. | DATE |
| | |
| CHECKED | DATE |
| | |
| DRAWN | DATE |
| | |

5

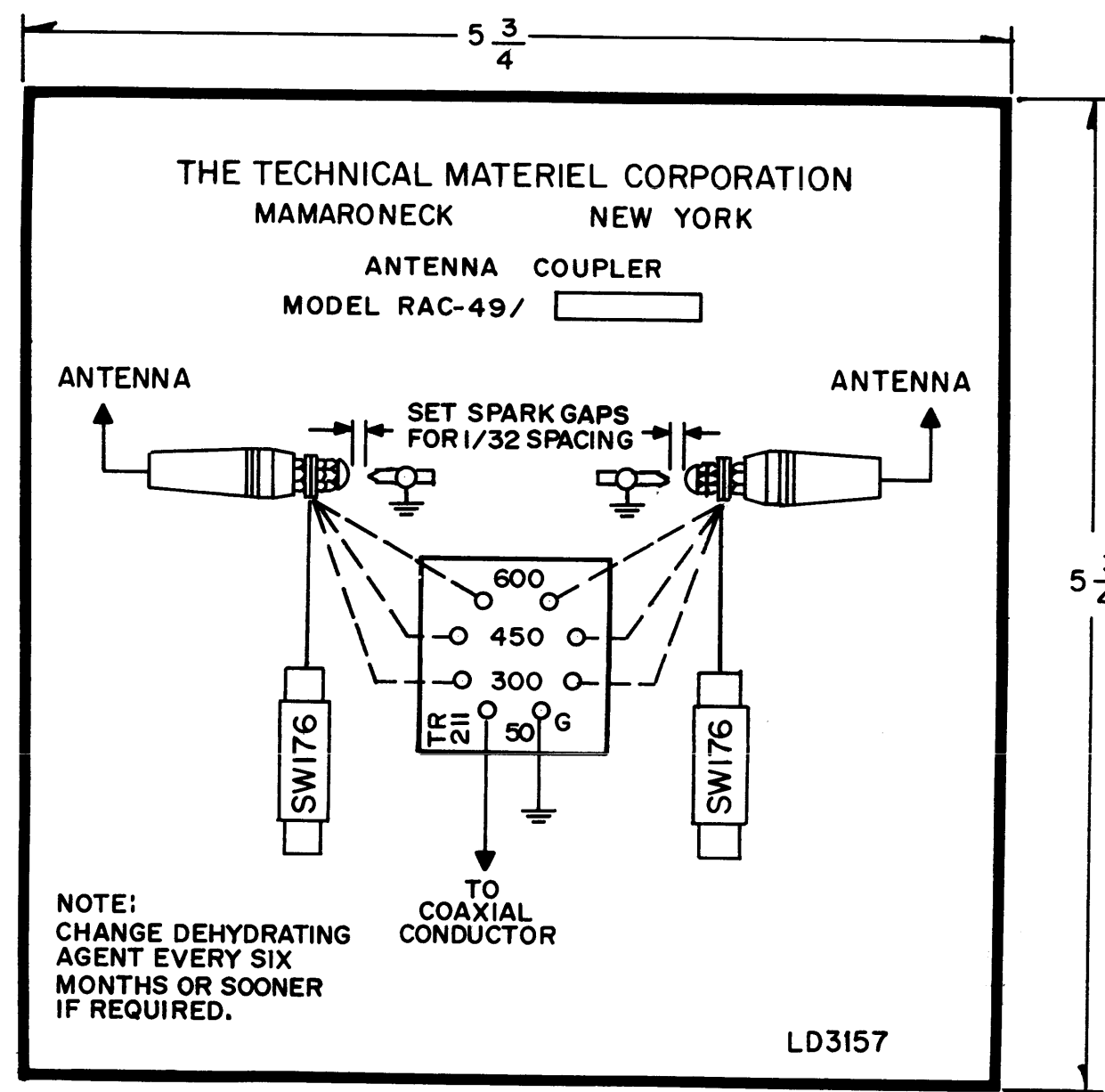
4

3

2

1

| REVISIONS | | | | | | | |
|------------|-------|------|------|-----|-------------|------|----------|
| E.M.N. NO. | DRAFT | CHKD | ZONE | LTR | DESCRIPTION | DATE | APPROVED |

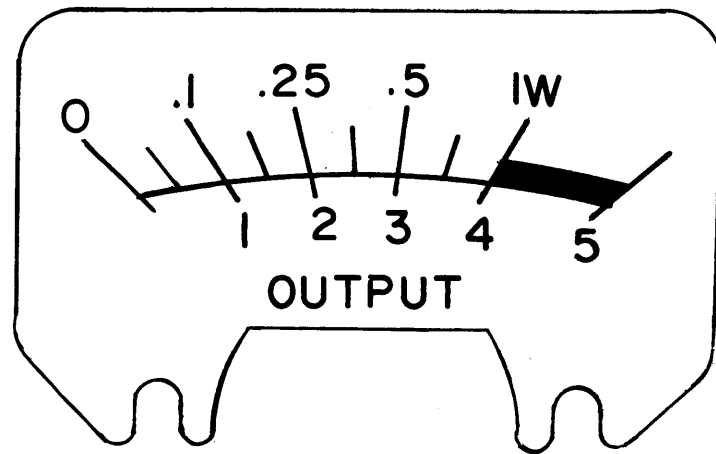


NOTE:
 1. ALL LETTERING AND ARTWORK TO BE BLACK ON ALUMINUM BACKGROUND, WITH ADHESIVE BACKING;
 2. REPRODUCTION METHOD AS PER TMC SPEC S1222.

NOTE:
 CHANGE DEHYDRATING AGENT EVERY SIX MONTHS OR SOONER IF REQUIRED.

| QTY / UNIT | MODEL USED ON | ASS'Y NO. | DECIMALS | FRACTIONS | FINAL APPROVAL | DATE | LIST OF MATERIAL | | | |
|---|---------------|-----------|-------------|--------------|----------------|------|--|-----------------|---------|-------|
| | RAC-49/ | | .X ± .05 | 1/64 | | | THE TECHNICAL MATERIEL CORP. MAMARONECK, NEW YORK | | | |
| | APPLICATION | | .XX ± .01 | TOLS. ANGLES | MECH. DES. | DATE | | | | |
| | CODE | | .XXX ± .005 | 0° .30' | ELECT. DES. | DATE | SCHEMATIC DIAGRAM RAC-49/ | | | |
| NOTICE TO PERSONS RECEIVING THIS DRAWING THE TECHNICAL MATERIEL CORPORATION claims proprietary right in the material disclosed hereon. This drawing is issued in confidence for engineering information only and may not be reproduced or used to manufacture anything shown hereon without permission from THE TECHNICAL MATERIEL CORPORATION to the user. This drawing is loaned for mutual assistance and is subject to recall at any time. | | | MATERIAL | | CHECKED | DATE | | | | |
| | | | FINISH | | DRAWN | DATE | SIZE | CODE IDENT. NO. | DWG NO. | ISSUE |
| | | | | | | | B | 82679 | LD3157 | |
| | | | | | | | SCALE | SHEET | | OF |

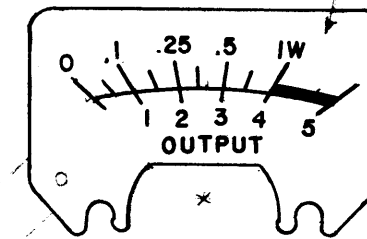
| REVISIONS | | | | | | | |
|------------|-------|------|------|-----|-------------|--------|----------|
| E.M.N. NO. | DRAFT | CHKD | ZONE | LTR | DESCRIPTION | DATE | APPROVED |
| | GDL | | | XI | UPDATED | 2-7-89 | |



SCALE = 2 : 1

NOTE: REDUCE ARTWORK TO 1:1 AS SHOW ON RIGHT

— WITE BACKGROUND



FULL SCALE

LETTERING
CALIBRATION MARKS
& NUMERALS TO BE
IN BLACK.

REF: MR 242

| QTY / UNIT | MODEL USED ON | ASS'Y NO. | DECIMALS | FRACTIONS | MECH. DES. | DATE | DESCRIPTION | SYM. |
|---|---------------|-----------|-------------|--------------|----------------|---------|---|----------|
| 1 | MMX-4 | | .X ± .05 | 1/64 | FINAL APPROVAL | DATE | THE TECHNICAL MATERIEL CORP. MAMARONECK, NEW YORK MARKING, DIAL METER | |
| APPLICATION | | | .XX ± .01 | TOLS. ANGLES | CHECKED | DATE | | |
| CODE | | | .XXX ± .005 | 0° .30' | DRAWN | DATE | | |
| MATERIAL | | | | | GDL | 2-28-89 | | |
| FINISH | | | | | | | SIZE | ISSUE |
| NOTICE TO PERSONS RECEIVING THIS DRAWING THE TECHNICAL MATERIEL CORPORATION claims proprietary right in the material disclosed hereon. This drawing is issued in confidence for engineering information only and may not be reproduced or used to manufacture anything shown hereon without permission from THE TECHNICAL MATERIEL CORPORATION to the user. This drawing is loaned for mutual assistance and is subject to recall at any time. | | | | | | | B | XI |
| | | | | | | | CODE IDENT. NO. | DWG NO. |
| | | | | | | | 82679 | LD 3160 |
| | | | | | | | SCALE | SHEET OF |
| | | | | | | | AS SHOWN | |

5

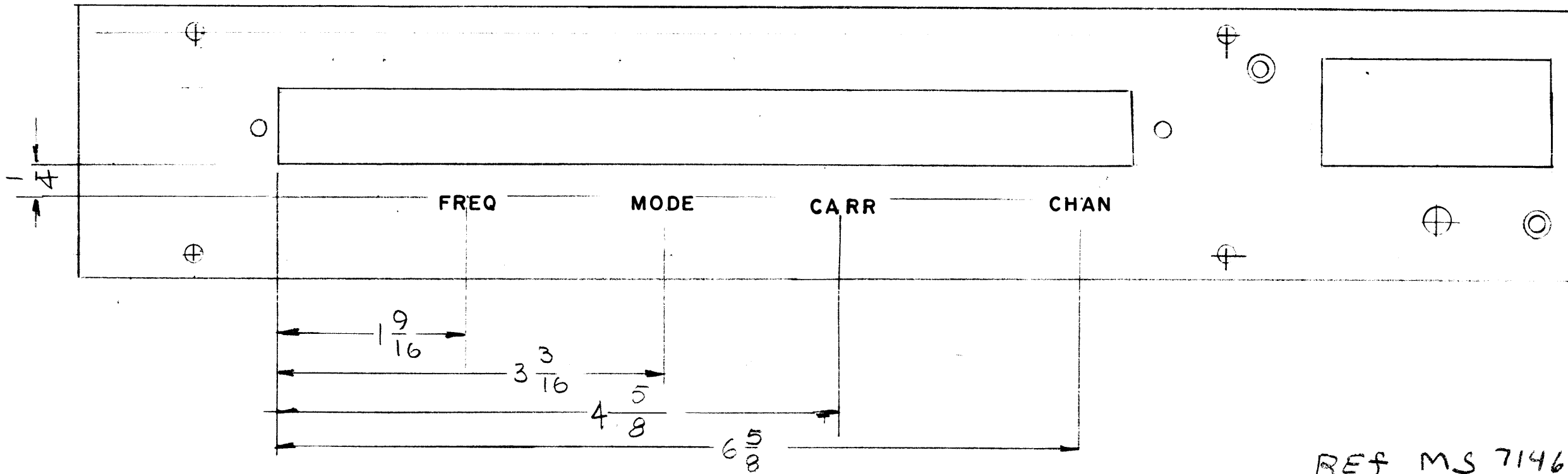
4

3

2

1

| REVISIONS | | | | | | | |
|------------|-------|------|------|-----|-------------|------|----------|
| E.M.N. NO. | DRAFT | CHKD | ZONE | LTR | DESCRIPTION | DATE | APPROVED |



REF MS 7146

| 1 | MMX-22 | |
|---|---------------|-----------|
| QTY / UNIT | MODEL USED ON | ASS'Y NO. |
| APPLICATION | | |
| | CODE | |
| <p>NOTICE TO PERSONS RECEIVING THIS DRAWING THE TECHNICAL MATERIEL CORPORATION claims proprietary right in the material disclosed hereon. This drawing is issued in confidence for engineering information only and may not be reproduced or used to manufacture anything shown hereon without permission from THE TECHNICAL MATERIEL CORPORATION to the user. This drawing is loaned for mutual assistance and is subject to recall at any time.</p> | | |

UNLESS OTHERWISE SPECIFIED DIMENSIONS ARE IN INCHES AND INCLUDE CHEMICALLY APPLIED OR PLATED FINISHES

| | |
|-------------|--------------|
| DECIMALS | FRACTIONS |
| .X ± .05 | 1/64 |
| .XX ± .01 | TOLS. ANGLES |
| .XXX ± .005 | 0° .30' |

MATERIAL

FINISH

| REQ'D | ITEM | PART NUMBER | DESCRIPTION | SYM. |
|---|------|-----------------|-------------|-------|
| LIST OF MATERIAL | | | | |
| <p>FINAL APPROVAL _____ DATE _____</p> <p>MECH. DES. _____ DATE _____</p> <p>ELECT. DES. _____ DATE _____</p> <p>CHECKED _____ DATE _____</p> <p>DRAWN <i>GDL</i> DATE <i>5-31-85</i></p> | | | | |
| <p>THE TECHNICAL MATERIEL CORP. MAMARONECK, NEW YORK</p> <p>MARKING, PLATE ESCUT.</p> | | | | |
| | SIZE | CODE IDENT. NO. | DWG NO. | ISSUE |
| | B | 82679 | LD 3164 | |
| SCALE 1:1 | | | SHEET | OF |

D

C

B

A

D

C

B

A

5

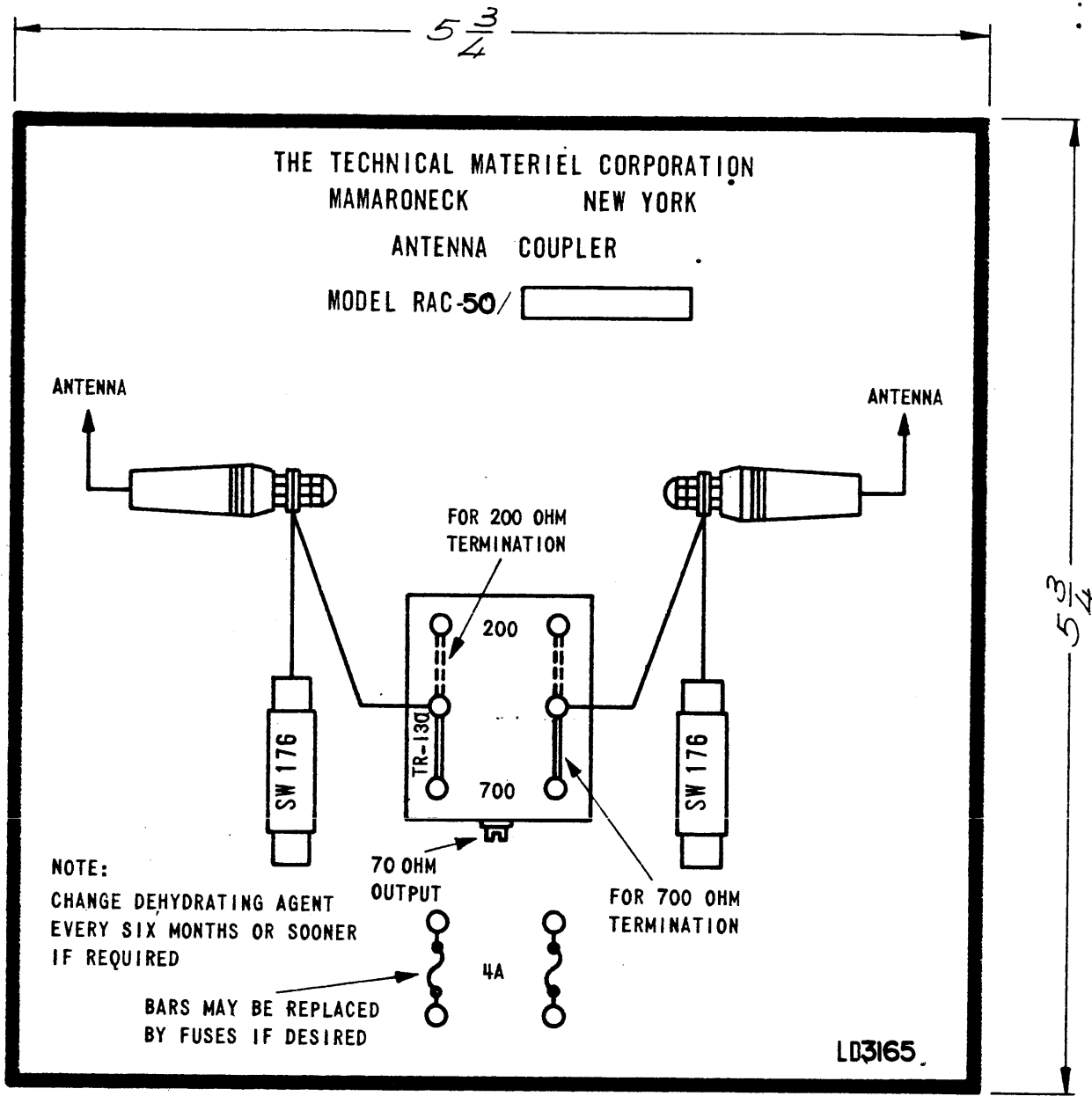
4

3

2

1

| REVISIONS | | | | | | |
|-----------|-----|-------------|------|----------|-------|-----------|
| ZONE | LTR | DESCRIPTION | DATE | E.M.N.NO | DRAFT | CHKD APPD |
| | | | | | | |



- NOTE:
1. ALL LETTERING AND ARTWORK TO BE BLACK ON ALUMINUM BACKGROUND, WITH ADHESIVE BACKING.
 2. REPRODUCTION METHOD: AS PER TMC SPEC S1222.

| REQ'D | ITEM | PART NUMBER | DESCRIPTION | SYM. |
|--|------|--------------------------|--------------------|----------------|
| LIST OF MATERIAL | | | | |
| THE TECHNICAL MATERIEL CORP. MAMARONECK, NEW YORK | | | | |
| DIAGRAM, SCHEMATIC | | | | |
| UNLESS OTHERWISE SPECIFIED DIMENSIONS ARE IN INCHES AND INCLUDE CHEMICALLY APPLIED OR PLATED FINISHES | | FINAL APPROVAL <i>BP</i> | DATE 7-30-62 | |
| DECIMALS .X ± .05 .XX ± .01 .XXX ± .005 | | MATERIAL | ELECT. DES. | DATE |
| FRACTIONS 1/64 ANGLES 0° -30' | | FINISH | CHECKED <i>FAO</i> | DATE 7-30-62 |
| QTY / UNIT | | MODEL USED ON | ASS'Y NO. | |
| RAC-50/ | | | | |
| APPLICATION | | CODE | | |
| <p>NOTICE TO PERSONS RECEIVING THIS DRAWING</p> <p>THE TECHNICAL MATERIEL CORPORATION claims proprietary right in the material disclosed hereon. This drawing is issued in confidence for engineering information only and may not be reproduced or used to manufacture anything shown hereon without permission from THE TECHNICAL MATERIEL CORPORATION to the user. This drawing is loaned for mutual assistance and is subject to recall at any time.</p> | | | | |
| SIZE B | | CODE IDENT. NO. 82679 | DWG NO. LD3165 | ISSUE <i>Q</i> |
| SCALE | | SHEET | | OF |

5

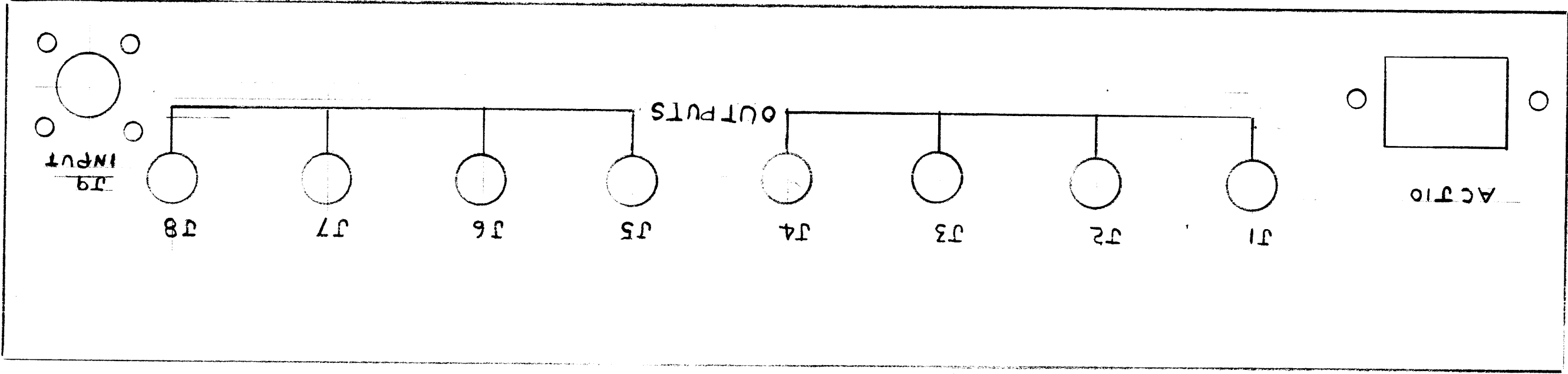
4

3

2

1

| REVISIONS | | | | | | | |
|------------|-------|------|------|-----|-------------|------|----------|
| E.M.N. NO. | DRAFT | CHKD | ZONE | LTR | DESCRIPTION | DATE | APPROVED |



REF. REAR OF M57299

| QTY / UNIT | MODEL USED ON | ASS'Y NO. |
|---|---------------|-----------|
| APPLICATION | | |
| | CODE | |
| <p>NOTICE TO PERSONS RECEIVING THIS DRAWING THE TECHNICAL MATERIEL CORPORATION claims proprietary right in the material disclosed hereon. This drawing is issued in confidence for engineering information only and may not be reproduced or used to manufacture anything shown hereon without permission from THE TECHNICAL MATERIEL CORPORATION to the user. This drawing is loaned for mutual assistance and is subject to recall at any time.</p> | | |

| | |
|---|--|
| UNLESS OTHERWISE SPECIFIED DIMENSIONS ARE IN INCHES AND INCLUDE CHEMICALLY APPLIED OR PLATED FINISHES | |
| DECIMALS .X ± .05 .XX ± .01 .XXX ± .005 | FRACTIONS 1/64 TOLS. ANGLES 0° .30' |
| MATERIAL | |
| FINISH | |

| REQ'D | ITEM | PART NUMBER | DESCRIPTION | SYM. |
|---|------|-------------|---|------|
| LIST OF MATERIAL | | | | |
| THE TECHNICAL MATERIEL CORP. MAMARONECK, NEW YORK | | | | |
| REAR PANEL UMC-B | | | | |
| FINAL APPROVAL | | DATE | SIZE B CODE IDENT. NO. 82679 DWG NO. LD 3182 ISSUE | |
| MECH. DES. | | DATE | | |
| ELECT. DES. | | DATE | | |
| CHECKED | | DATE | | |
| DRAWN | | DATE | | |
| SCALE | | SHEET | | OF |