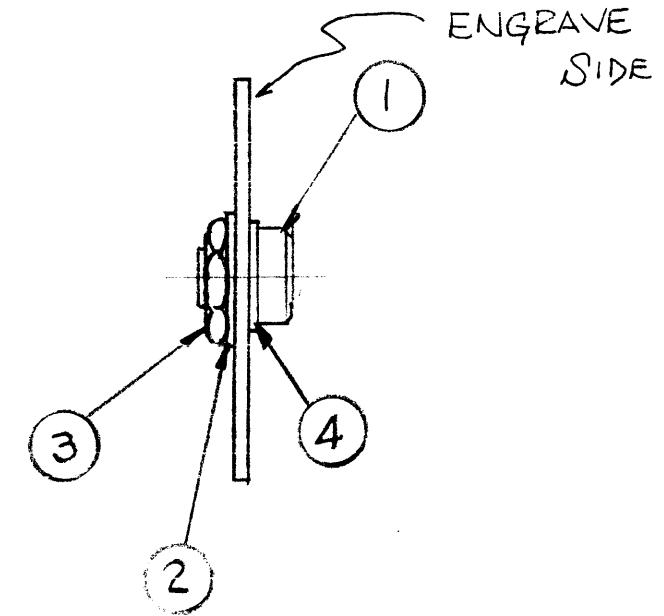
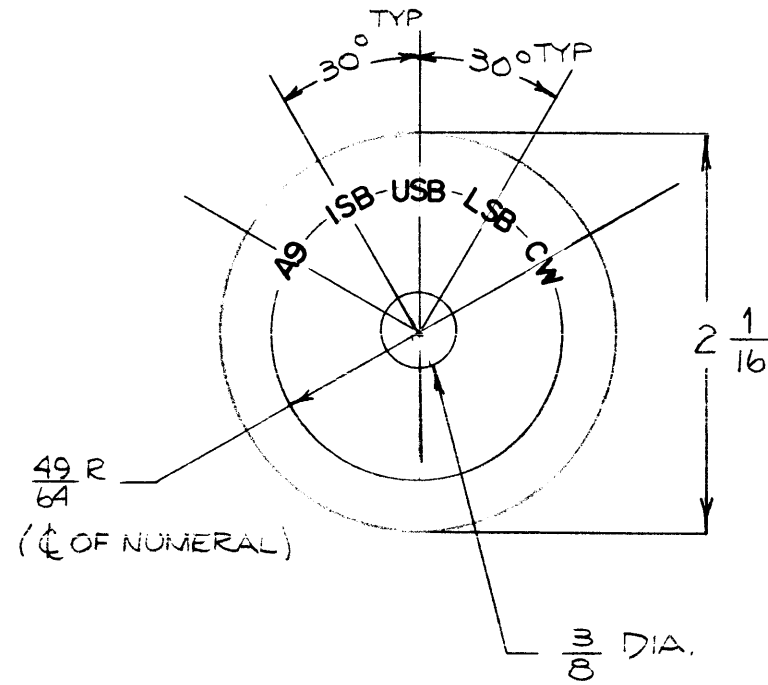


HEIGHT OF LETTER	DEPTH OF STROKE	WIDTH OF STROKE
1/8	SEE NOTE 2	.020

REVISIONS							
E.M.N. NO.	DRAFT	CHKD	ZONE	LTR	DESCRIPTION	DATE	APPROVED
	RS			X1	COMPLCTY REVISED	2-21-78	
	RS	W/S		①	ORIGINAL RELEASE FOR PRODUCTION	6-5-78	*



NOTE:
 1- MATERIAL: 1/16 THK. LAMINATED LAMICOID #8000 BLACK FACING OVER----- WHITE CORE.
 2- ENGRAVE FROM BLK SIDE THUR BLK FACING TO WHITE CORE
 3- ENGRAVING PER TMC SPEC. S566

REQ'D	ITEM	PART NUMBER	DESCRIPTION	SYM.
1	4	LW137MRN	LOCK WASHER	
1	3	NTH 37 32RN16	NUT, HEX	
1	2	FW 37 HB	FLAT WASHER	
1	1	PM 1597	HUB, DIAL	

LIST OF MATERIAL

1	(CHG) AX5228	
QTY / UNIT	MODEL USED ON	ASS'Y NO.
APPLICATION		
	CODE	

NOTICE TO PERSONS RECEIVING THIS DRAWING
 THE TECHNICAL MATERIEL CORPORATION claims proprietary right in the material disclosed hereon. This drawing is issued in confidence for engineering information only and may not be reproduced or used to manufacture anything shown hereon without permission from THE TECHNICAL MATERIEL CORPORATION to the user. This drawing is loaned for mutual assistance and is subject to recall at any time.

UNLESS OTHERWISE SPECIFIED DIMENSIONS ARE IN INCHES AND INCLUDE CHEMICALLY APPLIED OR PLATED FINISHES

DECIMALS .X ± .05 .XX ± .01 .XXX ± .005
 FRACTIONS 1/64 ANGLES 0° -30'

MATERIAL
 FINISH

FINAL APPROVAL	DATE
* O/S	8/2/78
MECH. DES.	DATE
ELECT. DES.	DATE
CHECKED	DATE
DRAWN	DATE
RS	2-21-78

THE TECHNICAL MATERIEL CORP.
 MAMARONECK, NEW YORK

MARKING, DIAL
 AX5228

SIZE	CODE IDENT. NO.	DWG NO.	ISSUE
B	82679	LD 3093	①
SCALE 1:1	SHEET		OF