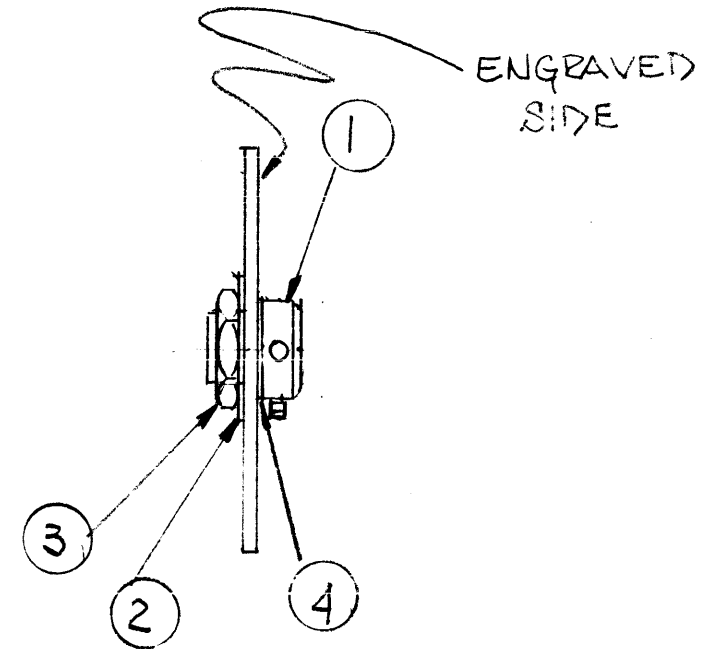
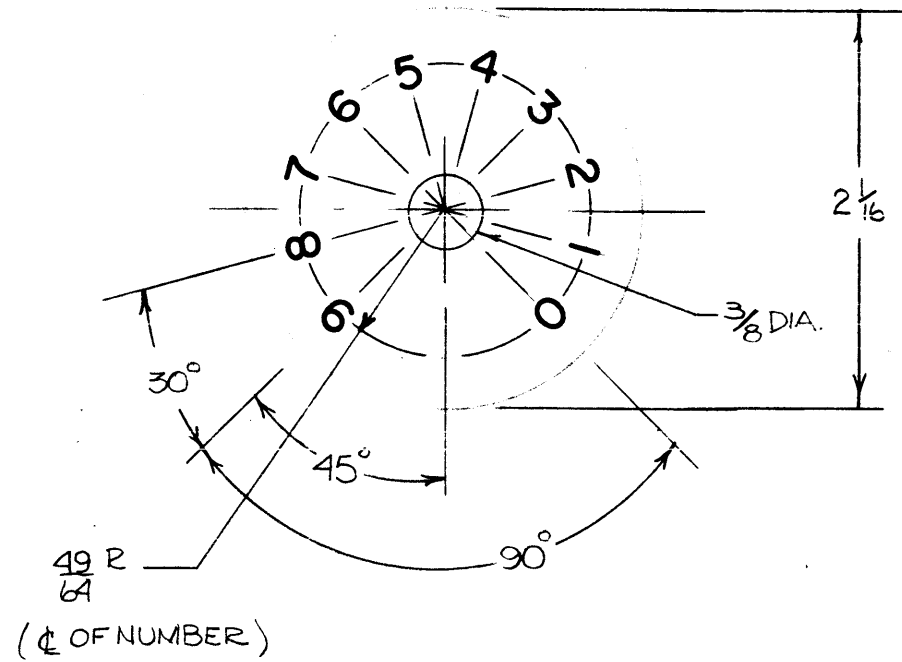


HEIGHT OF LETTER	DEPTH OF STROKE	WIDTH OF STROKE
3/16	SEE NOTE 2	.025

REVISIONS							
E.M.N. NO.	DRAFT	CHKD	ZONE	LTR	DESCRIPTION	DATE	APPROVED
	RWS			X ₁	COMPLETELY REDRAWN	2/17/78	
	CLL	WT		Ø	ORIGINAL RELEASE FOR PRODUCTION	6-5-78	*



NOTES
 1- MATERIAL 1/16 THK LAMINATED LAMICOID #8000 BLACK FACING OVER WHITE CORE
 2- ENGRAVE FROM BLK SIDE THRU BLK FACING TO WHITE CORE
 3- ENGRAVING PER TMC SPEC 3566

6	CHG	
6	MMXR-ZB	BMA535
QTY / UNIT	MODEL USED ON	ASS'Y NO.
APPLICATION		
	CODE	

NOTICE TO PERSONS RECEIVING THIS DRAWING
 THE TECHNICAL MATERIEL CORPORATION claims proprietary right in the material disclosed hereon. This drawing is issued in confidence for engineering information only and may not be reproduced or used to manufacture anything shown hereon without permission from THE TECHNICAL MATERIEL CORPORATION to the user. This drawing is loaned for mutual assistance and is subject to recall at any time.

UNLESS OTHERWISE SPECIFIED DIMENSIONS ARE IN INCHES AND INCLUDE CHEMICALLY APPLIED OR PLATED FINISHES

DECIMALS .X ± .05 .XX ± .01 .XXX ± .005
 FRACTIONS 1/64
 TOLS. ANGLES 0° -30'

MATERIAL SEE Note

FINISH

REQ'D	ITEM	PART NUMBER	DESCRIPTION	SYM.
1	4	LWI 37MRN	LOCK WASHER	
1	3	NTH 3732BN16	NUT HEX	
1	2	FW 37 HB	FLAT WASHER	
1	1	PM 1597	HUB, DIAL	

REQ'D	ITEM	PART NUMBER	DESCRIPTION	SYM.
-------	------	-------------	-------------	------

LIST OF MATERIAL

FINAL APPROVAL	DATE
MECH. DES.	DATE
ELECT. DES.	DATE
CHECKED	DATE
DRAWN	DATE

THE TECHNICAL MATERIEL CORP.
 MAMARONECK, NEW YORK

MARKING, DIAL

SIZE	CODE IDENT. NO.	DWG NO.	ISSUE
B	82679	LD 3092	Ø

SCALE 1:1 SHEET OF