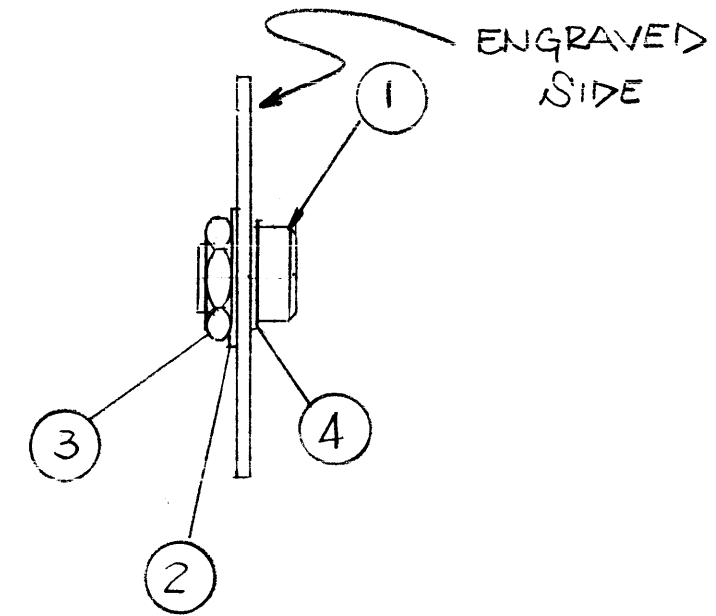
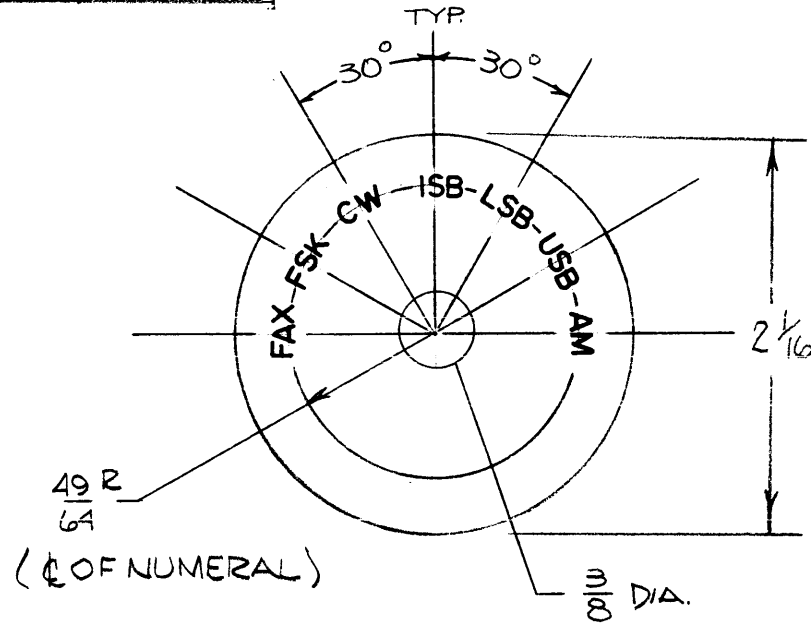


HEIGHT OF LETTER	DEPTS OF STROKE	WIDTH OF STROKE
1/8	SEE NOTE	.020



NOTE:
 1-MATERIAL: 1/16THK LAMINATED LAMICOID #8000 BLACK FACING OVER WHITE CORE
 2-ENGRAVE FROM BLK SIDE THRU BLK FACING, TO WHITE CORE.
 3-ENGRAVE PER TMC SPEC. S566

REVISIONS							
E.M.N. NO.	DRAFT	CHKD	ZONE	LTR	DESCRIPTION	DATE	APPROVED
	20			X ₁	COMPLETELY REVISED	2-21-78	
	GDL	WJ		Ø	ORIGINAL RELEASE FOR PRODUCTION	6-5-78	*

REQ'D	ITEM	PART NUMBER	DESCRIPTION	SYM.
1	4	LWI 37MRN	LOCK WASHER	
1	3	NTH3732BN16	NUT, HEX.	
1	2	FW 37 HB	FLAT WASHER	
1	1	PM 1597	HUB DIAL	

LIST OF MATERIAL

QTY / UNIT	MODEL USED ON	ASS'Y NO.
	MMXR-2B	BMA535
APPLICATION		
CODE		

UNLESS OTHERWISE SPECIFIED DIMENSIONS ARE IN INCHES AND INCLUDE CHEMICALLY APPLIED OR PLATED FINISHES		FINAL APPROVAL	DATE
		MECH. DES.	DATE
DECIMALS .X ± .05 FRACTIONS 1/64 TOLS. ANGLES 0°-30'		ELECT. DES.	DATE
		CHECKED	DATE
MATERIAL		DRAWN	DATE
FINISH			

THE TECHNICAL MATERIEL CORP.
 MAMARONECK, NEW YORK

MARKING, DIAL

NOTICE TO PERSONS RECEIVING THIS DRAWING
 THE TECHNICAL MATERIEL CORPORATION claims proprietary right in the material disclosed hereon. This drawing is issued in confidence for engineering information only and may not be reproduced or used to manufacture anything shown hereon without permission from THE TECHNICAL MATERIEL CORPORATION to the user. This drawing is loaned for mutual assistance and is subject to recall at any time.

SIZE	CODE IDENT. NO.	DWG NO.	ISSUE
B	82679	LD3076	Ø
SCALE 1:1		SHEET	OF