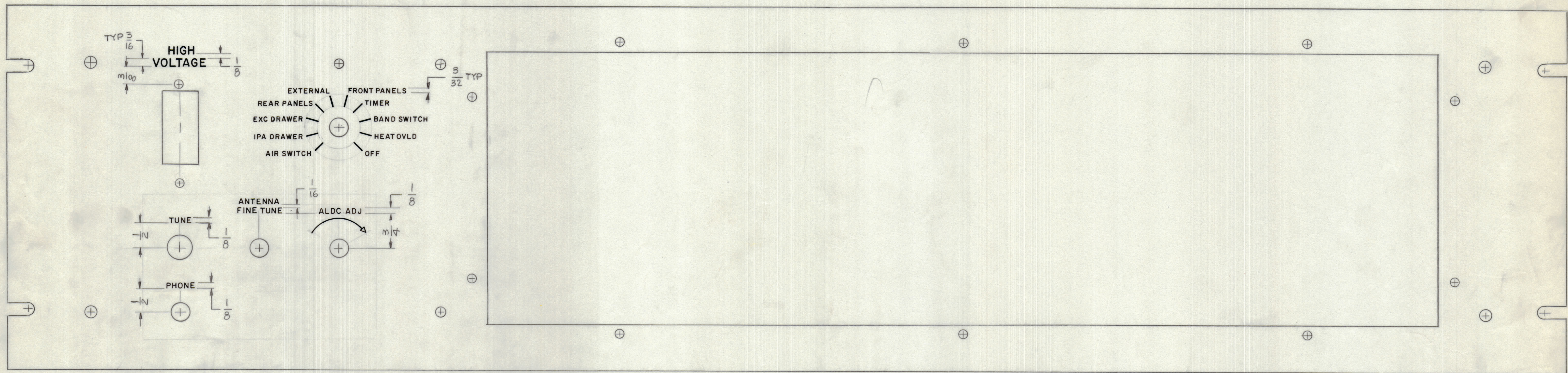
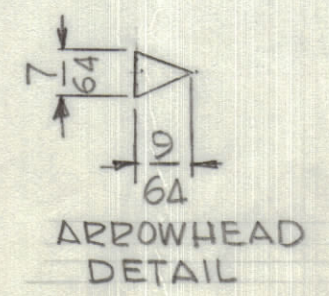
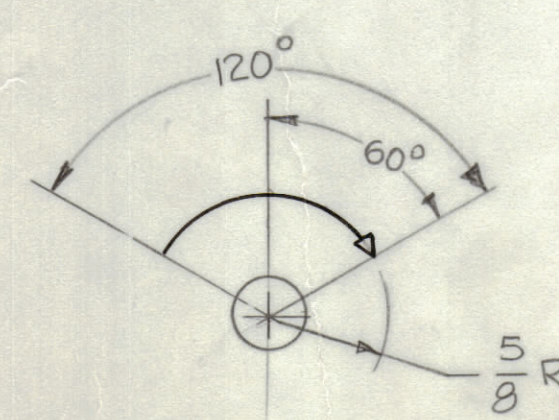
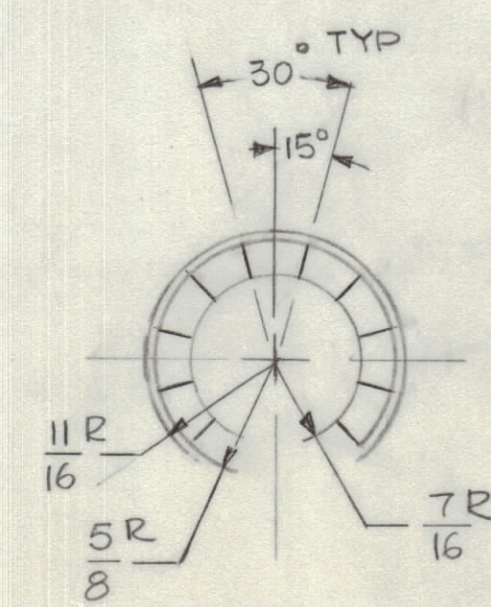


ORIGINAL RELEASE FOR
12/12/84 7B



LETTER HEIGHT	DEPTH OF STROKE	HEIGHT OF STROKE
3/32	.010	.015
1/8	.010	.020
3/16	.010	.025
LINES	.010	.015
ARROW	.010	SEE DETAIL

- UNLESS OTHERWISE SPECIFIED.
- 1-ENGRAVING TO BE WHITE FILLED GOTHIC.
 - 2-ALL LINES TO BE WHITE FILLED.
 - 3-ARROWHEAD TO BE WHITE OUTLINE FILLED.
 - 4-ALL LETTER GROUPS TO BE CENTERED ON HOLES



1	MFT2-10KE	
QTY / UNIT	MODEL USED ON	ASS'Y NO.
APPLICATION		
CODE		
MATERIAL		
FINISH		

NOTICE TO PERSONS RECEIVING THIS DRAWING
 THE TECHNICAL MATERIEL CORPORATION claims proprietary right in the material disclosed hereon. This drawing is issued in confidence for engineering information only and may not be reproduced or used to manufacture anything shown hereon without permission from THE TECHNICAL MATERIEL CORPORATION to the user. This drawing is loaned for mutual assistance and is subject to recall at any time.

REF:MS6796	QTY. REQ.	ITEM	PART NO.	DESCRIPTION	SYMBOL
				LIST OF MATERIAL	
				THE TECHNICAL MATERIEL CORP. MAMARONECK, NEW YORK	
				MARKING, FRONT PANEL	
				SIZE CODE IDENT NO. DWG NO.	ISSUE
				D 82679 LD 3070	0
				SCALE 1:1	SHEET OF

UNLESS OTHERWISE SPECIFIED DIMENSIONS ARE IN INCHES AND INCLUDE CHEMICALLY APPLIED OR PLATED FINISHES	FINAL APPROVAL	DATE
	<i>EDB</i>	9/20/77
TOLERANCES ON	ELECT. DES	DATE
DECIMALS .X ± .05		4-20-77
FRACTIONS ± 1/64	CHECKED	DATE
.XX ± .01		
ANGLES ± 0° -30'	DRAWN	DATE
	G.D.L.	4-20-77