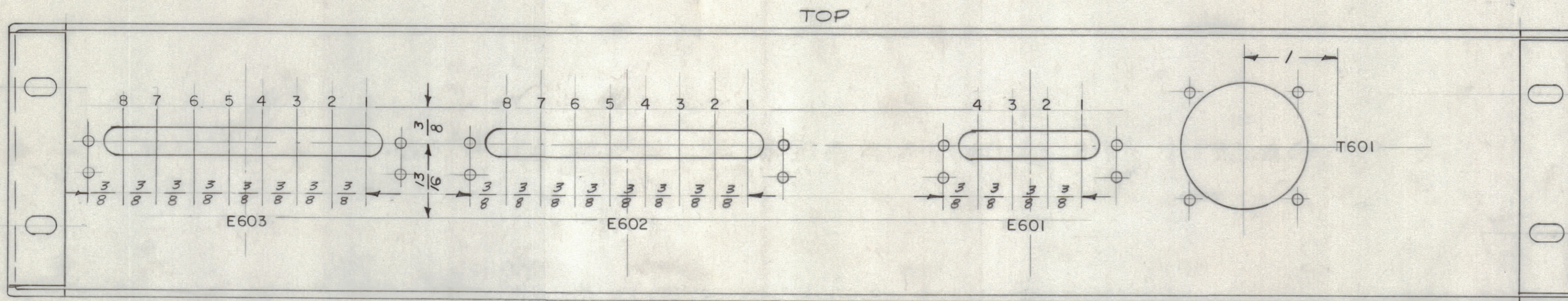
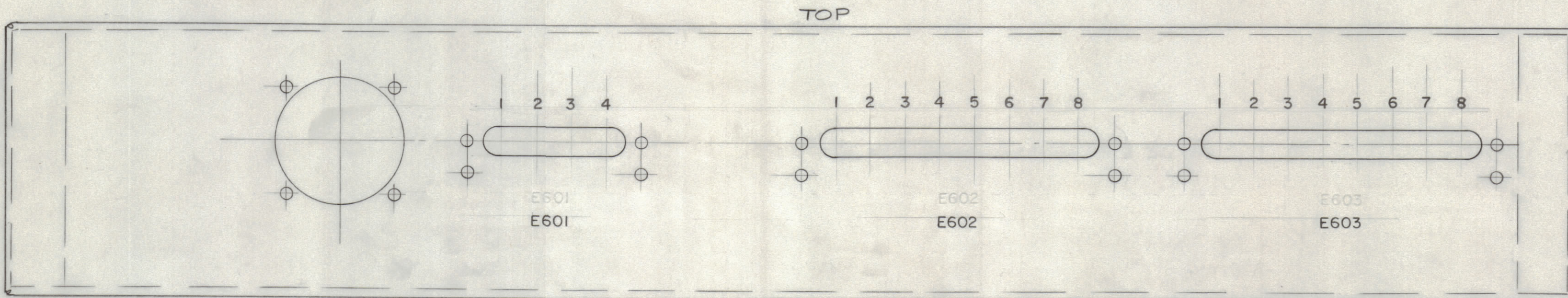


IF IT IS FOUND DESIRABLE TO CHANGE ANY TOLERANCE OR OTHER DETAIL SPECIFIED ON THIS DRAWING NOTIFY THE PURCHASER PROMPTLY.

MAXIMUM ALLOWABLE TOLERANCES HAVE BEEN DETERMINED AND DEVIATIONS WILL BE CAUSE FOR REJECTION. REMOVE ALL BURRS AND SHARP EDGES



Rear of Unit, Inside View



Rear of Unit, Rear View (Same Stamping Dimensions as Front View)

Note - All Lettering 1/8 high black Gothic.

LD-325

**NOTICE TO PERSONS RECEIVING THIS DRAWING**

THE TECHNICAL MATERIEL CORPORATION claims proprietary right in the material disclosed hereon. This drawing is issued in confidence for engineering information only and may not be reproduced or used to manufacture anything shown hereon without permission from THE TECHNICAL MATERIEL CORPORATION to the user. This drawing is loaned for mutual assistance and is subject to recall at any time.

Property of:  
THE TECHNICAL MATERIEL CORPORATION  
MAMARONECK, NEW YORK

Ref- MS-1010 (8 size)

REQ. ITEM	PART NO.	DESCRIPTION	SYMBOL
<b>THE TECHNICAL MATERIEL CORP.</b> MAMARONECK, NEW YORK			
STOCK SIZE			
WRAPAROUND STAMPING,			
MATERIAL WEIGHT PER PC. Model TRF			
TYPE & TEMPER		161-25-57	OK
HEAT TREAT. SPEC.		OK	OK
FINISH & SPEC. NO.		LD-325	

ISSUE	ITEM	CHANGED FROM	DATE	CN. NO.	DRAFTS	CHECKER	ENG. APP.
TOLERANCES		SCALE:					
ALL OTHERS	DEC. DIM. ± FRAC. DIM. ± ANGULAR DIM. ±	DRILL, PUNCH, COMMERCIAL STOCK SIZES AND MANUFACTURERS TOLERANCES ARE NOT INCLUDED.					

REQ PER UNIT	MODEL	PROJECT NO.	ASS'Y. NO.	DATE
1	TRF	638		1-25-57
USED ON				