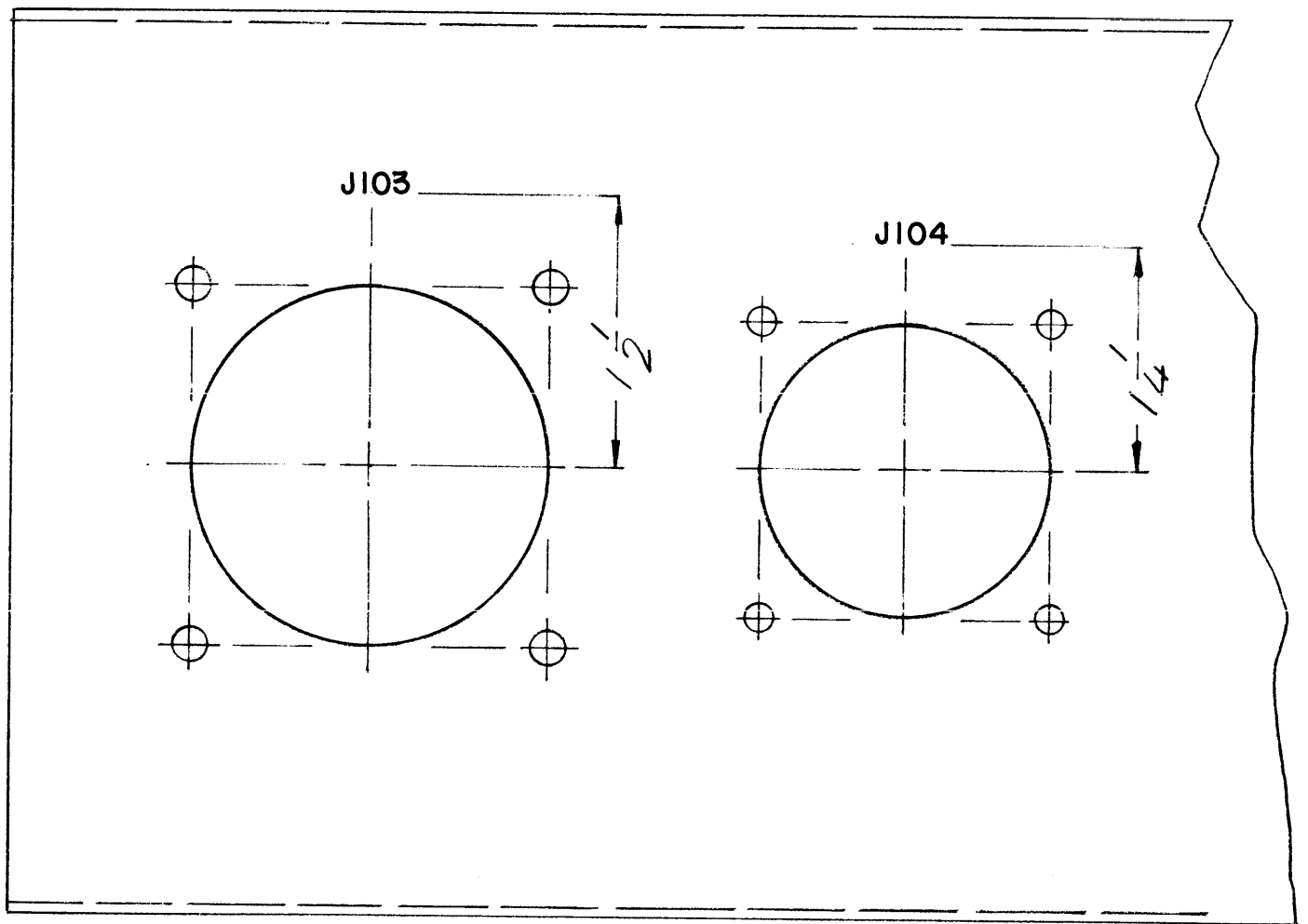


5 4 3 2 1

REVISIONS							
E.M.N. NO.	DRAFT	CHKD	ZONE	LTR	DESCRIPTION	DATE	APPROVED
	DV			Ø	ORIGINAL RELEASE FOR PRODUCTION	4-11-74	



MARKING PROCESS: AS PER TMC SPECIFICATION S727
 LETTERING: 1/8 HIGH BLACK GOTHIC, LOCATED AS SHOWN

D
C
B
A

D
C
B
A

QTY / UNIT		MODEL USED ON <i>ATSA-3</i>		ASS'Y NO.	REF <i>MS6448</i>	REQ'D	ITEM	PART NUMBER	DESCRIPTION	SYM.		
APPLICATION					UNLESS OTHERWISE SPECIFIED DIMENSIONS ARE IN INCHES AND INCLUDE CHEMICALLY APPLIED OR PLATED FINISHES	FINAL APPROVAL	<i>[Signature]</i>		DATE	THE TECHNICAL MATERIEL CORP. MAMARONECK, NEW YORK		
CODE						MECH. DES.	DATE	LIST OF MATERIAL				
MATERIAL						ELECT. DES.	DATE	MARKING PANEL REAR				
FINISH						CHECKED	DATE	DRAWN				
NOTICE TO PERSONS RECEIVING THIS DRAWING THE TECHNICAL MATERIEL CORPORATION claims proprietary right in the material disclosed hereon. This drawing is issued in confidence for engineering information only and may not be reproduced or used to manufacture anything shown hereon without permission from THE TECHNICAL MATERIEL CORPORATION to the user. This drawing is loaned for mutual assistance and is subject to recall at any time.					DECIMALS	FRACTIONS		DATE	SIZE	CODE IDENT. NO.	DWG NO.	ISSUE
					.X ± .05	1/64			B	82679	LD2544	Ø
					.XX ± .01	TOLS. ANGLES			SCALE 1:1		SHEET OF	
					.XXX ± .005	9°-30'						

5 4 3 2 1