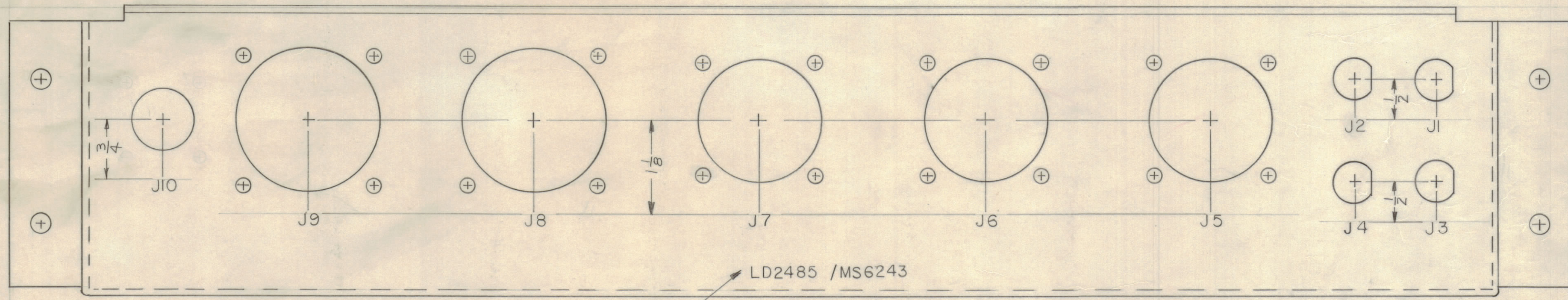
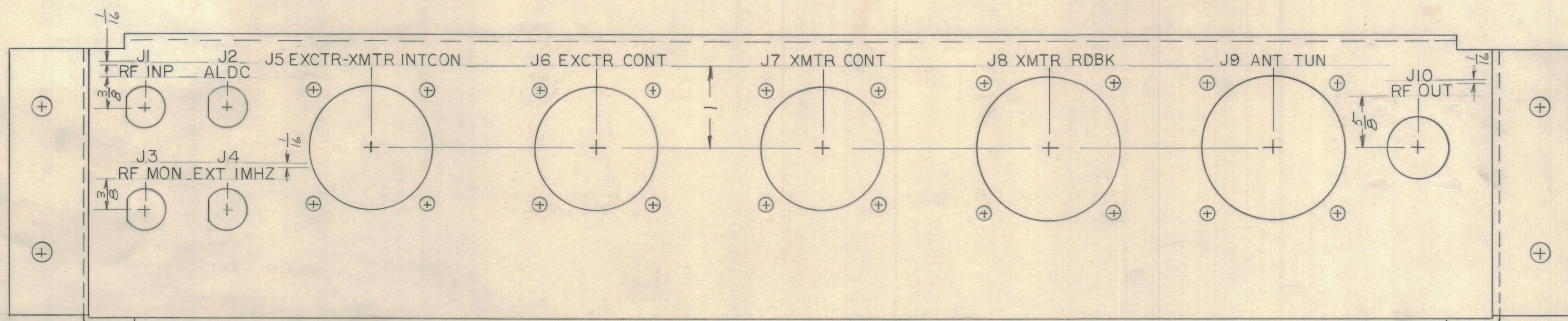


REVISIONS							
E.M.N.NO	DRAFT	CHKD	ZONE	LTR	DESCRIPTION	DATE	APPROVED
	W			Ø	ORIGINAL RELEASE FOR PRODUCTION	9/21/71	



MARK TMC PART NUMBER
1/8 HIGH GOTHIC WITH LATEST
REVISION LETTER

MARKING PROCESS: AS PER TMC SPECIFICATION S727
LETTERING: 1/8 HIGH BLACK GOTHIC, LOCATED AS SHOWN

REF:MS6243

1	HFTA-1KJ2	RAK 130-1
QTY / UNIT	MODEL USED ON	ASS'Y NO.
APPLICATION		
CODE		

NOTICE TO PERSONS RECEIVING THIS DRAWING
THE TECHNICAL MATERIEL CORPORATION claims proprietary right in the material disclosed hereon. This drawing is issued in confidence for engineering information only and may not be reproduced or used to manufacture anything shown hereon without permission from THE TECHNICAL MATERIEL CORPORATION to the user. This drawing is loaned for mutual assistance and is subject to recall at any time.

UNLESS OTHERWISE SPECIFIED
DIMENSIONS ARE IN INCHES
AND INCLUDE CHEMICALLY APPLIED
OR PLATED FINISHES

TOLERANCES ON

DECIMALS	FRACTIONS
.X ± .05	± 1/64
.XX ± .01	ANGLES
.XXX ± .005	± 0° -30'

QTY. REQ.	ITEM	PART NO.	DESCRIPTION	SYMBOL
LIST OF MATERIAL				
THE TECHNICAL MATERIEL CORP. MAMARONECK, NEW YORK				
MARKING, INTFC. CHAS.				
MATERIAL		SIZE CODE IDENT NO. DWG NO.		ISSUE
FINISH		C	82679 LD2485	Ø
SCALE			SHEET	OF

FINAL APPROVAL *[Signature]* DATE 18 Oct 71
MECH. DES. *[Signature]* DATE 18 Oct 71
ELECT. DES. DATE
CHECKED DATE
DRAWN *[Signature]* DATE 13 Sep 71

LD2485