

5

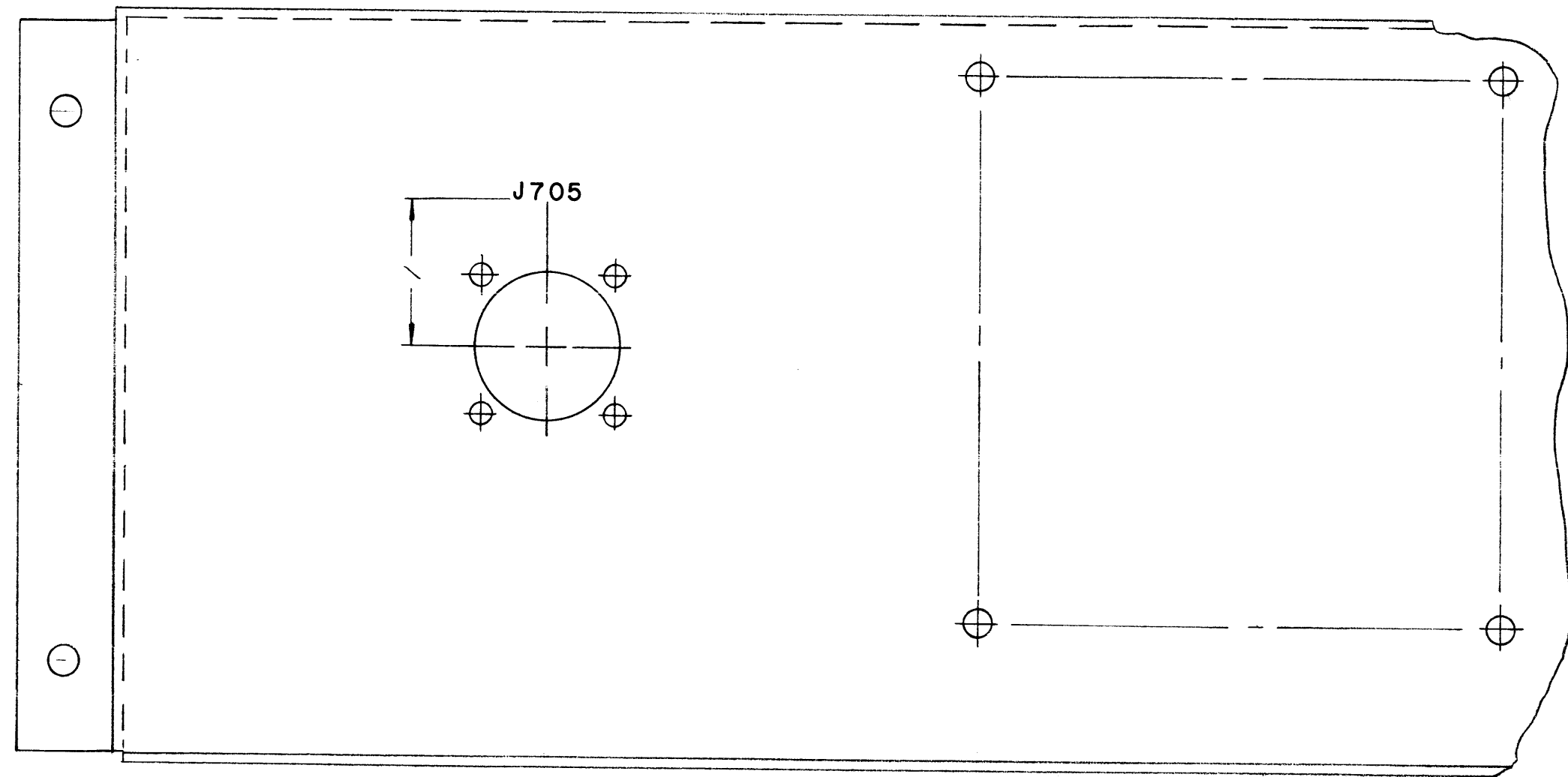
4

3

2

1

REVISIONS							
ZONE	LIR	DESCRIPTION	DATE	E.M.N.NO	DRAFT	CHKD	APPD
	X	EXP RELEASE	3/19/70		GE		
	Ø	ORIG RELEASE FOR PROD	1/21/70		CV		
	A	ADD. OBSOLETE NOTE	5/15/72	20692	GE	EJ	EJ



OBSOLETE
 USE FOR SPARE
 PARTS ONLY

MARKING PROCESS: AS PER TMC SPECIFICATION S-727.

LETTERING: 1/8 HIGH BLACK GOTHIC, LOCATED AS SHOWN.

1	HFTA-10KJB	HFLA-10K
QTY / UNIT	MODEL USED ON	ASS'Y NO.
APPLICATION		
	CODE	

NOTICE TO PERSONS RECEIVING THIS DRAWING
 THE TECHNICAL MATERIEL CORPORATION claims proprietary right in the material disclosed hereon. This drawing is issued in confidence for engineering information only and may not be reproduced or used to manufacture anything shown hereon without permission from THE TECHNICAL MATERIEL CORPORATION to the user. This drawing is loaned for mutual assistance and is subject to recall at any time.

UNLESS OTHERWISE SPECIFIED DIMENSIONS ARE IN INCHES AND INCLUDE CHEMICALLY APPLIED OR PLATED FINISHES

DECIMALS	FRACTIONS
.X ± .05	1/64
.XX ± .01	TOLS. ANGLES
.XXX ± .005	0° .30'

MATERIAL

FINISH

REF. MS 5523

REQ'D	ITEM	PART NUMBER	DESCRIPTION	SYM.
		BUDETTI	LIST OF MATERIAL	
FINAL APPROVAL		DATE	THE TECHNICAL MATERIEL CORP.	
MECH. DES.		DATE	MAMARONECK, NEW YORK	
ELECT. DES.		DATE	MARKING	
CHECKED		DATE	SHIELD CONT. PANEL	
DRAWN		DATE	SIZE	CODE IDENT. NO.
EVANGELIST		3/10/70	B	82679
			DWG NO.	ISSUE
			LD 2405	A
SCALE 1:1			SHEET	OF

D

C

B

A

D

C

B

A

5

4

3

2

1