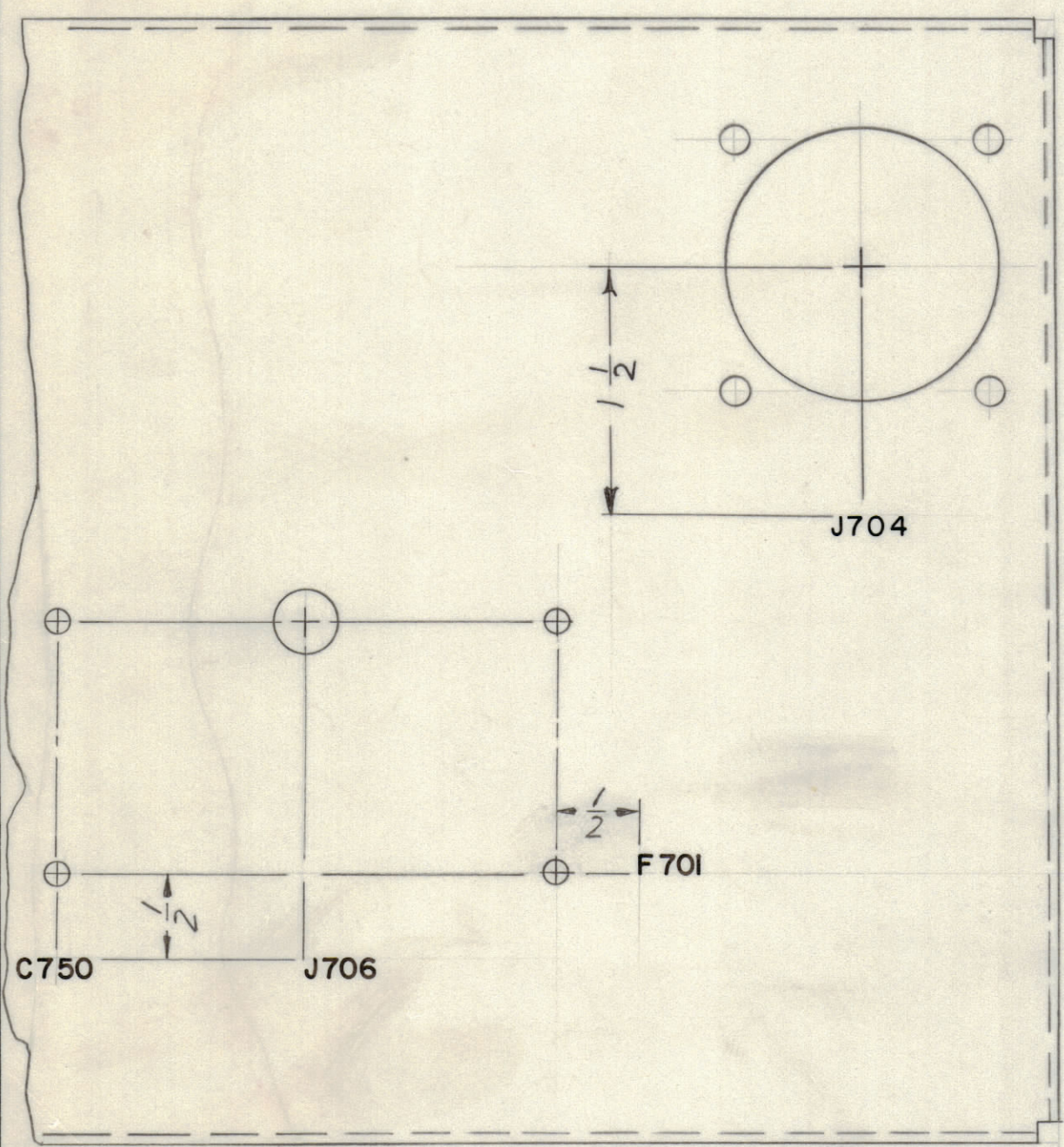
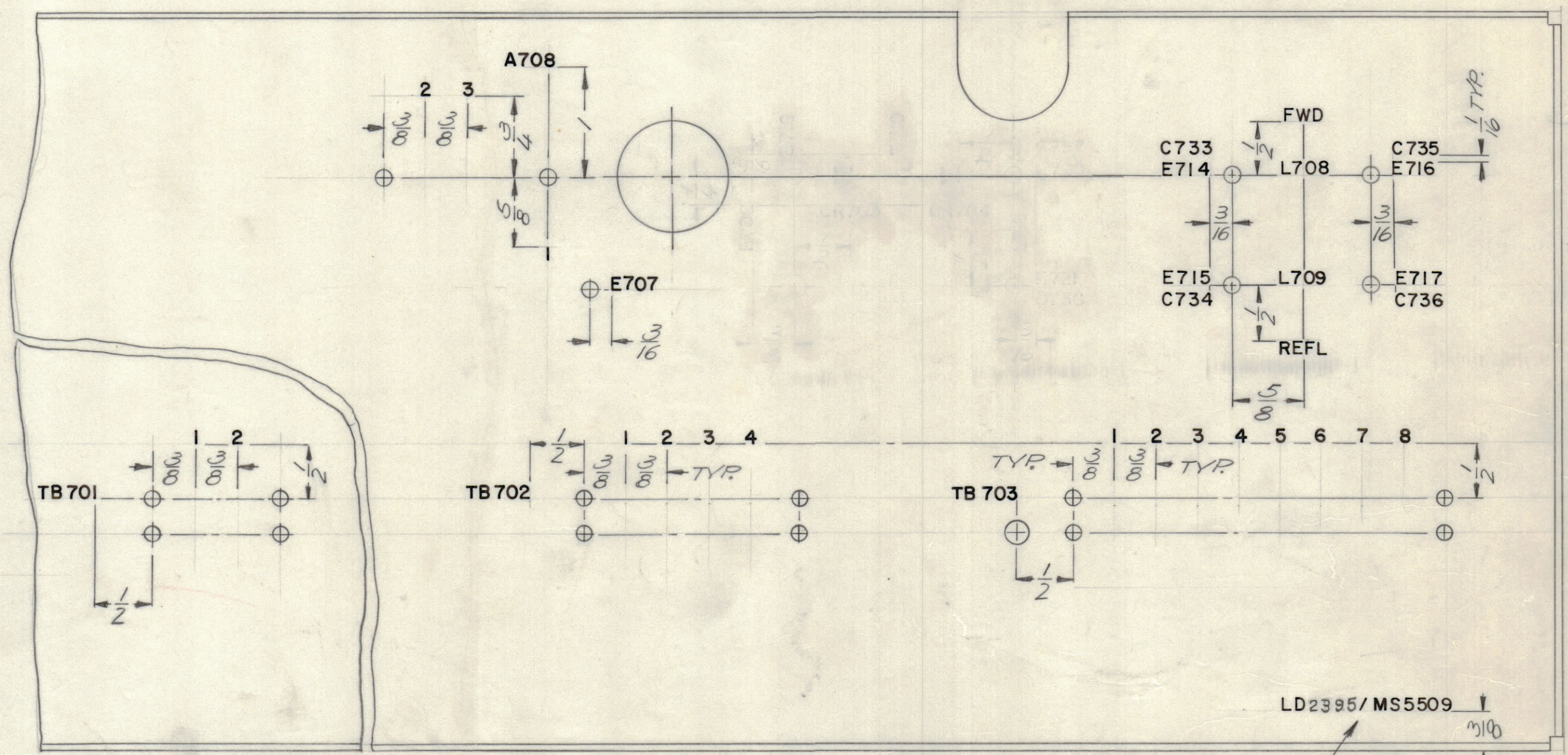


REVISIONS									
E.M.N.NO	DRAFT	CHKD	ZONE	LTR	DESCRIPTION	DATE	APPROVED		
	KH			X	EXP. RELEASE	10/30/69			
	KD			X1	REMOVE R702, CR703+704, L710, E718, 719, 721, 720, C737, 738	1/8/70			
	KD			X2	ADD J704	1-28-70			
	QJ			Ø	ORIGINAL RELEASE FOR PRODUCTION	1-30-70			
20706	GE	EJ		A	ADD MARKING FOR TB 701, 702, 703	5/23/72	EJ		



OUTSIDE VIEW



INSIDE VIEW

LD2395/MS5509
 MARK TMC PART NUMBER
 1/8 HIGH GOTHIC WITH LATEST
 REVISION LETTER ON

UNLESS OTHERWISE SPECIFIED:
 MARKING PROCESS: AS PER TMC SPECIFICATION S727
 LETTERING: 1/8 HIGH BLACK GOTHIC, LOCATED AS SHOWN

REF.: MS 5509

QTY / UNIT	MODEL USED ON	ASS'Y NO.
1	HFL (-) - 10K	AX5114
1	PALA - 10K	AX5084
APPLICATION		
	CODE	

NOTICE TO PERSONS RECEIVING THIS DRAWING
 THE TECHNICAL MATERIEL CORPORATION claims proprietary right in the material disclosed hereon. This drawing is issued in confidence for engineering information only and may not be reproduced or used to manufacture anything shown hereon without permission from THE TECHNICAL MATERIEL CORPORATION to the user. This drawing is loaned for mutual assistance and is subject to recall at any time.

UNLESS OTHERWISE SPECIFIED
 DIMENSIONS ARE IN INCHES
 AND INCLUDE CHEMICALLY APPLIED
 OR PLATED FINISHES

TOLERANCES ON

DECIMALS	FRACTIONS
.X ± .05	± 1/64
.XX ± .01	ANGLES
.XXX ± .005	± 0° -30'

MATERIAL

FINISH

QTY. REQ.	ITEM	PART NO.	DESCRIPTION	SYMBOL
BUDETTI LIST OF MATERIAL				
FINAL APPROVAL		DATE	THE TECHNICAL MATERIEL CORP. MAMARONECK, NEW YORK	
MECH. DES.		DATE		
ELECT. DES.		DATE		
CHECKED		DATE		
DRAWN		DATE	MARKING, MTR. PNL. SHIELD	
SIZE	CODE IDENT NO.	DWG NO.	ISSUE	
C	82679	LD 2395	A	
SCALE 1:1			SHEET	OF