

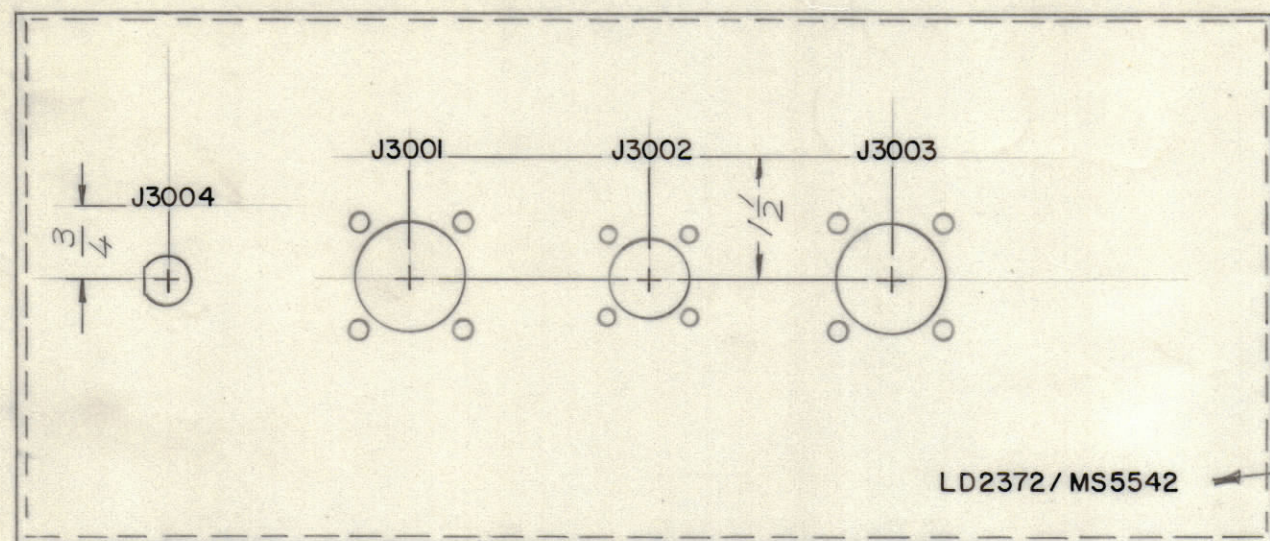
4

3

2

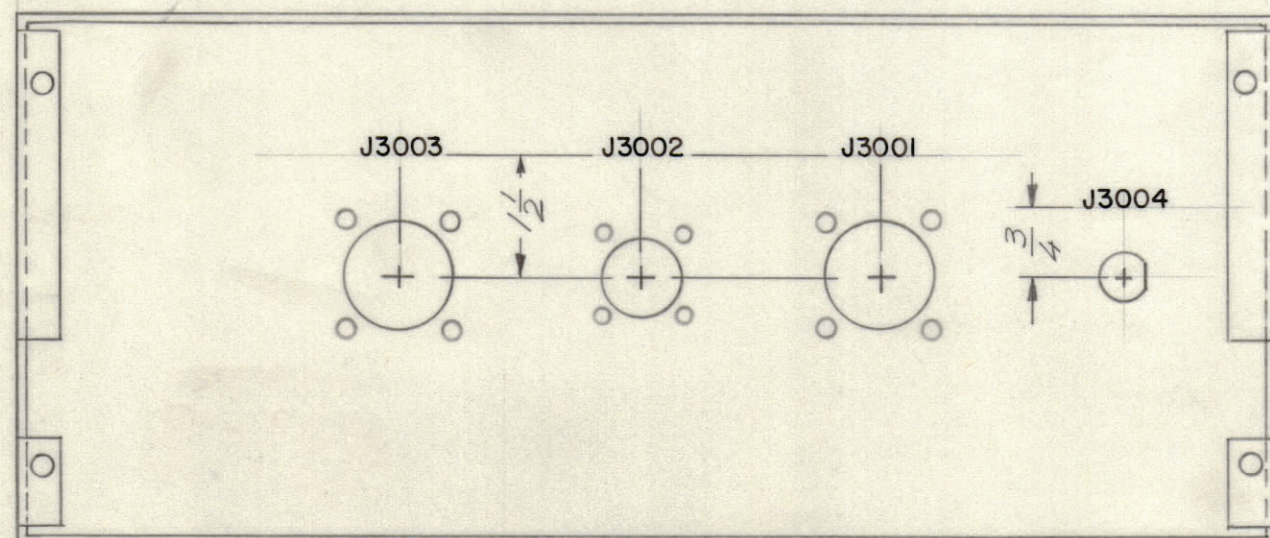
1

REVISIONS					DATE	APPROVED
E.M.N.NO	DRAFT	CHKD	ZONE	LTR	DESCRIPTION	
	0			0	ORIGINAL RELEASE FOR PRODUCTION	1/14/76

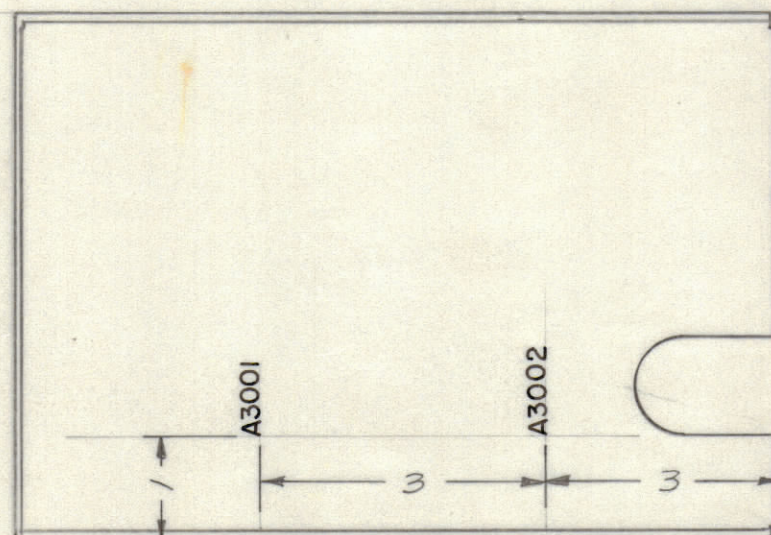


OUTSIDE

MARK TMC PART NUMBER
1/8 HIGH GOTHIC WITH LATEST
REVISION LETTER ON REAR OF PANEL



INSIDE



RIGHT INSIDE

MARKING PROCESS: AS PER TMC SPECIFICATION S727
LETTERING: 1/8 HIGH BLACK GOTHIC, LOCATED AS SHOWN

REF: MS5542

QTY / UNIT	MODEL USED ON	ASS'Y NO.
1	PALAIOK	AX5101
APPLICATION		
	CODE	

NOTICE TO PERSONS RECEIVING THIS DRAWING
THE TECHNICAL MATERIEL CORPORATION claims proprietary right in the material disclosed hereon. This drawing is issued in confidence for engineering information only and may not be reproduced or used to manufacture anything shown hereon without permission from THE TECHNICAL MATERIEL CORPORATION to the user. This drawing is loaned for mutual assistance and is subject to recall at any time.

UNLESS OTHERWISE SPECIFIED DIMENSIONS ARE IN INCHES AND INCLUDE CHEMICALLY APPLIED OR PLATED FINISHES	
TOLERANCES ON	
DECIMALS	FRACTIONS
.X ± .05	± 1/64
.XX ± .01	ANGLES
.XXX ± .005	± 0° -30°
MATERIAL	
FINISH	

QTY. REQ.	ITEM	PART NO.	DESCRIPTION	SYMBOL
BUDETTI LIST OF MATERIAL				
FINAL APPROVAL		DATE	THE TECHNICAL MATERIEL CORP. MAMARONECK, NEW YORK	
MECH. DES.		DATE		
ELECT. DES.		DATE		
CHECKED		DATE		
DRAWN		DATE	MARKING, AUDIO INP. CHAS.	
SIZE	CODE IDENT NO.	DWG NO.	ISSUE	
C	82679	LD2372	Ø	
SCALE 1:2			SHEET	OF

4

3

2

1

LD2372