

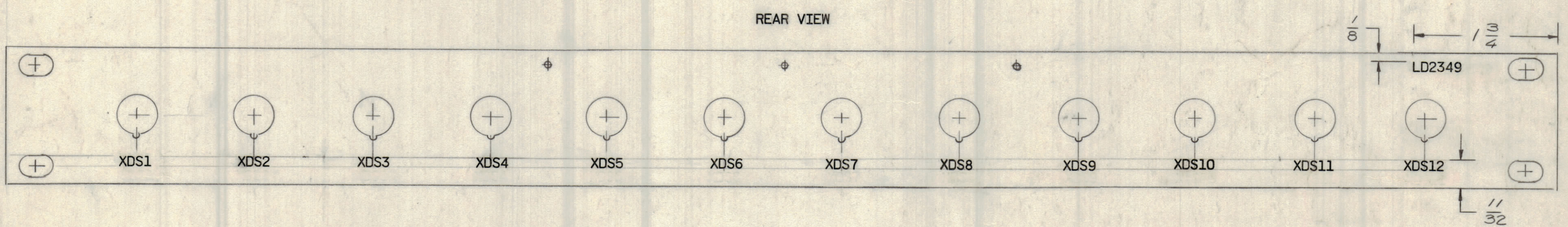
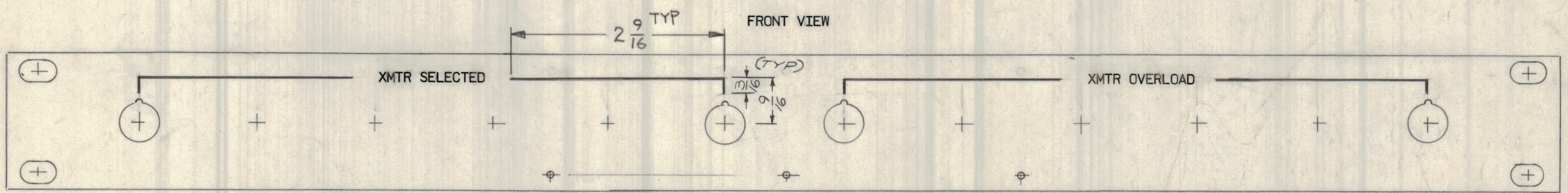
4

3

2

1

REVISIONS						
ZONE	LTR	DESCRIPTION	DATE	E.M.N.NO	DRAFT	CHKD
	X	EXPERIMENTAL RELEASE	3/14/69		CV	
		ORIGINAL RELEASE FOR PRODUCTION	4/1/69		RS	HDE



UNLESS OTHERWISE SPECIFIED:

1. ALL ENGRAVING TO BE 1/8 HIGH GOTHIC.
2. ALL LETTERING TO BE CENTERED ON HOLES, CUTOUTS OR INDICATING LINES.
3. ALL ENGRAVING TO BE AS PER TMC SPEC S566.
4. ALL ENGRAVING TO BE WHITE FILLED.

HEIGHT OF LETTER	DEPTH OF STROKE	WIDTH OF STROKE
1/8	.010	.020
LINES	.010	.015

REF: MS5460

QTY. REQ.	ITEM	PART NO.	DESCRIPTION	SYMBOL
	S. De MARCO LIST OF MATERIAL			
UNLESS OTHERWISE SPECIFIED DIMENSIONS ARE IN INCHES AND INCLUDE CHEMICALLY APPLIED OR PLATED FINISHES		FINAL APPROVAL S. De Marco g/m MECH. DES. R. Uzzo	DATE 4/1/69 DATE 3-31-69	THE TECHNICAL MATERIEL CORP. MAMARONECK, NEW YORK
TOLERANCES ON		ELECT. DES.	DATE	MARKING, FRONT PANEL
DECIMALS .X ± .05 .XX ± .01 .XXX ± .005	FRACTIONS ± 1/64 ANGLES ± 0° -30'	CHECKED HDE	DATE 3/15/69	
MATERIAL		DRAWN HDE	DATE 4/1/69	
FINISH		SIZE CODE IDENT.NO. DWG NO.		ISSUE
		C 82679 LD 2349		1
		SCALE		SHEET OF

QTY / UNIT	MODEL USED ON	ASS'Y NO.
1	RSSA-6YA	
APPLICATION		
CODE		
NOTICE TO PERSONS RECEIVING THIS DRAWING		
THE TECHNICAL MATERIEL CORPORATION claims proprietary right in the material disclosed hereon. This drawing is issued in confidence for engineering information only and may not be reproduced or used to manufacture anything shown hereon without permission from THE TECHNICAL MATERIEL CORPORATION to the user. This drawing is loaned for mutual assistance and is subject to recall at any time.		

4

3

2

1

LD 2349

B

A