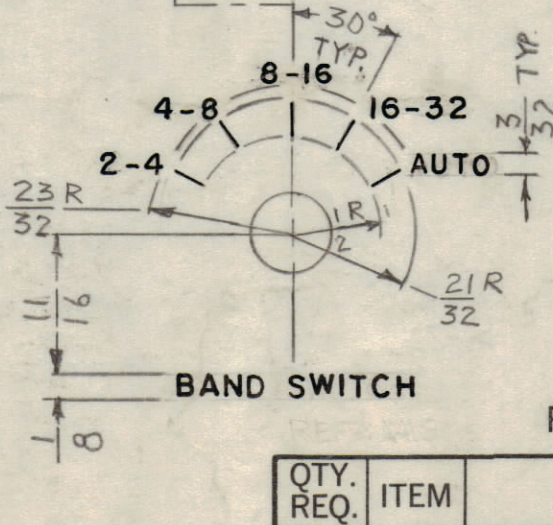
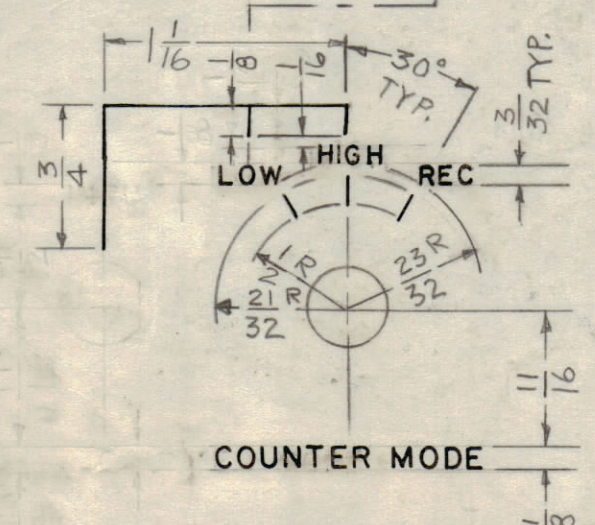
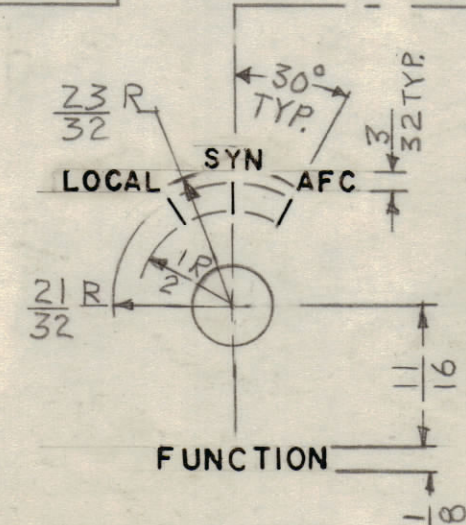
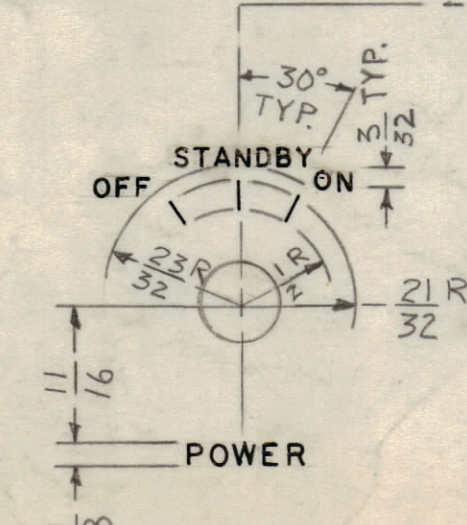
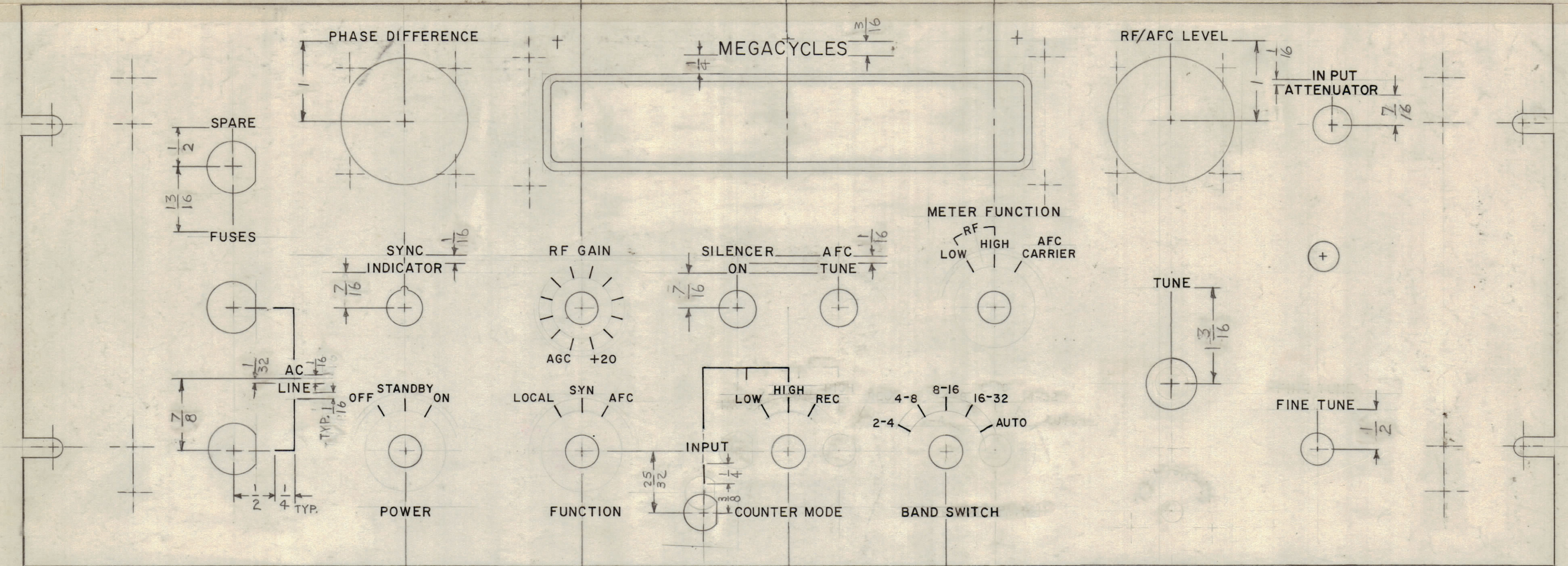
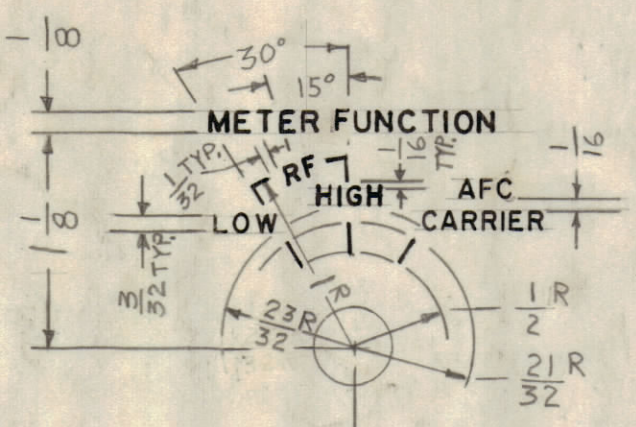
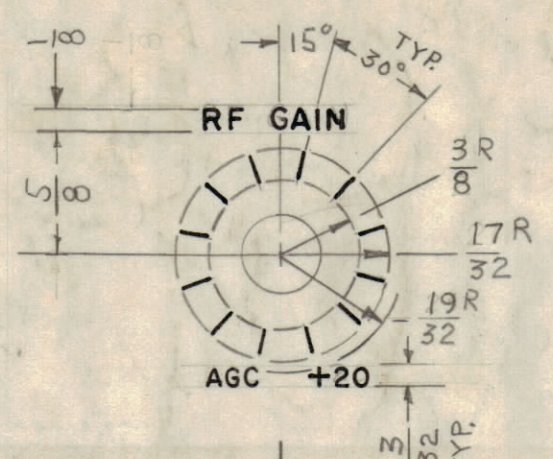


REVISIONS						
ZONE	LTR	DESCRIPTION	DATE	E.M.N.NO	DRAFT	CHKD APPD
	X	EXPERIMENTAL RELEASE	9/6/67	X	C.V.	
	X1	INPUT ADDED, COUNTER MODE & BAND SWITCH DIAL REL.	9-29-67		H.G.	
	X2	ADDED INPUT ATTENUATOR	7/3/68		H.G.	
	X3	SEE SHEET 2	11-6-68		H.G.	
	Ø	ORIGINAL RELEASE FOR PRODUCTION	11/8/68	Ø	H.G.	



MARKING BY N.L.D.  
1/32 HIGH GOTHIC LETTERING  
RV LETTER

REF: MS5280

HEIGHT OF LETTERS	DEPTH OF LETTERS	WIDTH OF STROKE
3/32	.010	.015
1/8	.010	.020
3/16	.010	.025
LINES	.010	.015

FRONT VIEW

1	HFRR-4	
QTY / UNIT	MODEL USED ON	ASS'Y NO.
APPLICATION		
	CODE C	S401-451
NOTICE TO PERSONS RECEIVING THIS DRAWING		
THE TECHNICAL MATERIEL CORPORATION claims proprietary right in the material disclosed hereon. This drawing is issued in confidence for engineering information only and may not be reproduced or used to manufacture anything shown hereon without permission from THE TECHNICAL MATERIEL CORPORATION to the user. This drawing is loaned for mutual assistance and is subject to recall at any time.		

UNLESS OTHERWISE SPECIFIED DIMENSIONS ARE IN INCHES AND INCLUDE CHEMICALLY APPLIED OR PLATED FINISHES	
TOLERANCES ON	
DECIMALS	FRACTIONS
.X ± .05	± 1/64
.XX ± .01	ANGLES
.XXX ± .005	± 0° -30'
MATERIAL	
FINISH	

QTY. REQ.	ITEM	PART NO.	DESCRIPTION	SYMBOL
R. HOGAN (ZETENA) LIST OF MATERIAL SK 3252-003-43				
THE TECHNICAL MATERIEL CORP. MAMARONECK, NEW YORK				
MARKING, PANEL FRONT MARKING PROCESS: ENGRAVING				
SIZE	CODE IDENT.NO.	DWG NO.	ISSUE	
C	82679	LD 2276	Ø	
SCALE 1:1			SHEET 1 OF 2	

- UNLESS OTHERWISE SPECIFIED:
- 1/8 HIGH GOTHIC LETTERING
  - ALL LETTERING & LINES TO BE WHITE FILLED
  - ALL LETTER GROUPS TO BE CENTERED ON HOLES OR CUTOUTS.

LD 2276