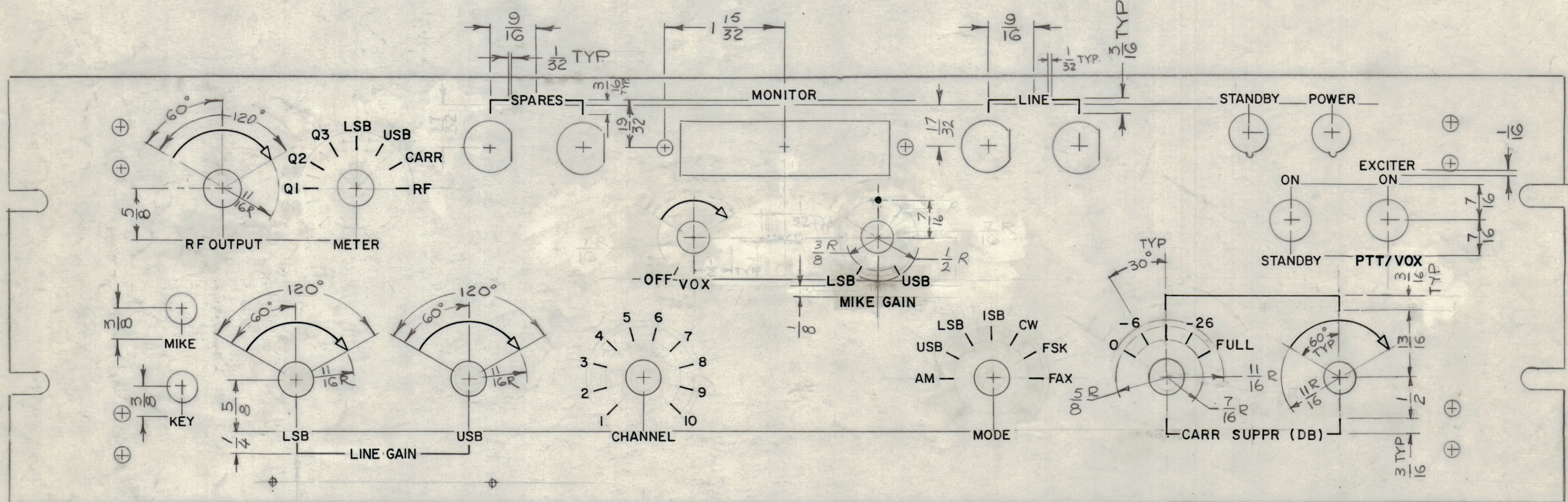
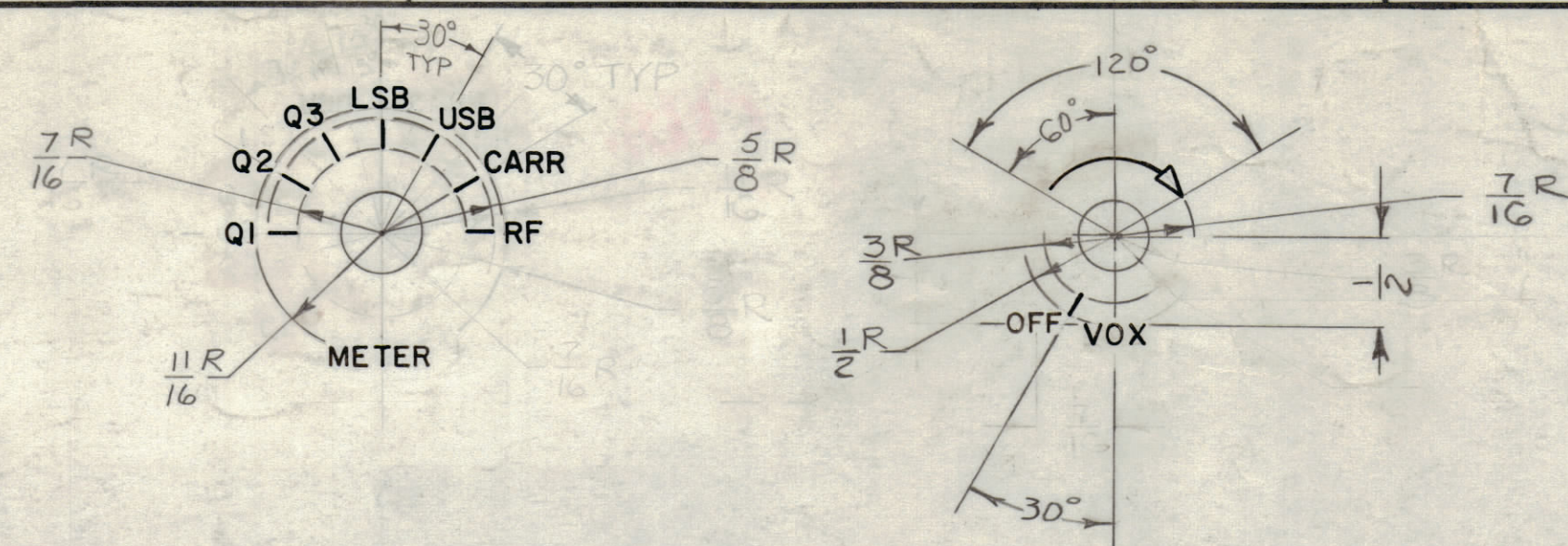
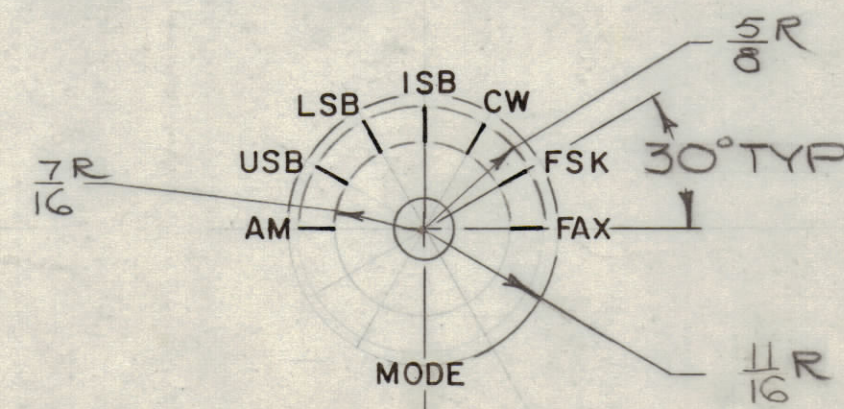
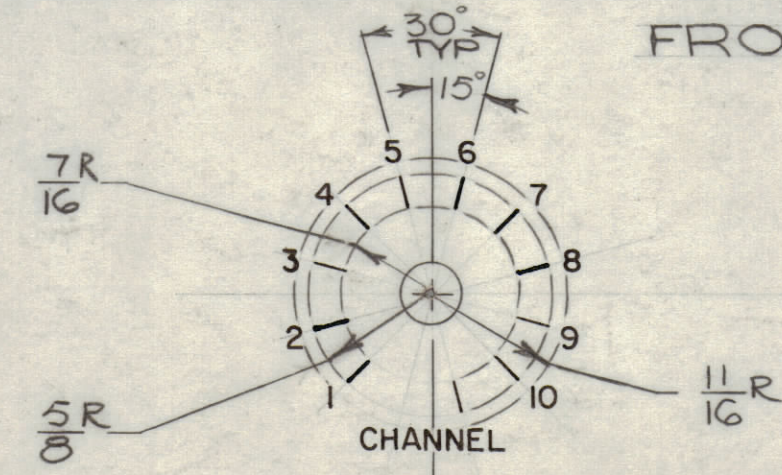
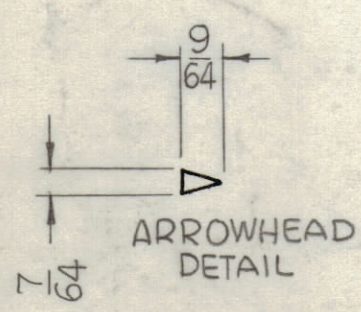


REVISIONS						
ZONE	LTR	DESCRIPTION	DATE	E.M.N.NO	DRAFT	CHKD APPD
	X	EXPERIMENTAL RELEASE	11-8-67			
	Q	ORIG. RELEASE FOR PROD.	11/10/67	Q	Engr	J. De
	A	"ENGRAVING" UPDATED	11-29-67	18646	EDL	OP
	B	Q1, 2, 3 ON METER ADDED & ADDED SHEET 2	5-8-68	18917	H.S.	EP
	C	VOX & MIKE GAIN ENGR. REV.	8-2-68	19010	H.S.	J. De
	D	"LINE GAIN" TO USB & LSB ADDED	12-30-68	19122	J. De	J. De



FRONT OF PANEL



HEIGHT OF LETTER	DEPTH OF STROKE	WIDTH OF STROKE
1/8	.010	.020
3/16	.010	.025
LINES	.010	.015
ARROWHEAD	.010	SEE DETAIL

- UNLESS OTHERWISE SPECIFIED:
1. ENGRAVING TO BE 1/8 HIGH GOTHIC, WHITE FILLED.
 2. ALL LINES TO BE WHITE FILLED.
 3. ALL ARROWHEADS TO BE WHITE OUTLINE FILL.
 4. ALL LETTER GROUPS TO BE CENTERED ON HOLES, CUTOUTS OR INDICATING LINES.
 5. ALL ENGRAVING AS PER TMC SPEC S566.

SMÉ-6		
QTY / UNIT	MODEL USED ON	ASS'Y NO.
APPLICATION		
CODE		
<small>NOTICE TO PERSONS RECEIVING THIS DRAWING</small> <small>THE TECHNICAL MATERIEL CORPORATION claims proprietary right in the material disclosed hereon. This drawing is issued in confidence for engineering information only and may not be reproduced or used to manufacture anything shown hereon without permission from THE TECHNICAL MATERIEL CORPORATION to the user. This drawing is loaned for mutual assistance and is subject to recall at any time.</small>		

REF: MS 5261

QTY. REQ.	ITEM	PART NO.	DESCRIPTION	SYMBOL
POSE LIST OF MATERIAL				
FINAL APPROVAL		DATE		
MECH. DES.		DATE		
ELECT. DES.		DATE		
CHECKED		DATE		
DRAWN		DATE		
MATERIAL		DATE		
FINISH		DATE		
THE TECHNICAL MATERIEL CORP.		MAMARONECK, NEW YORK		
MARKING, FRONT PANEL				
SIZE	CODE IDENT. NO.	DWG NO.	ISSUE	
C	82679	LD 2267	D	
SCALE 1:1		SHEET 1 OF 2		

LD 2267 D B