

5

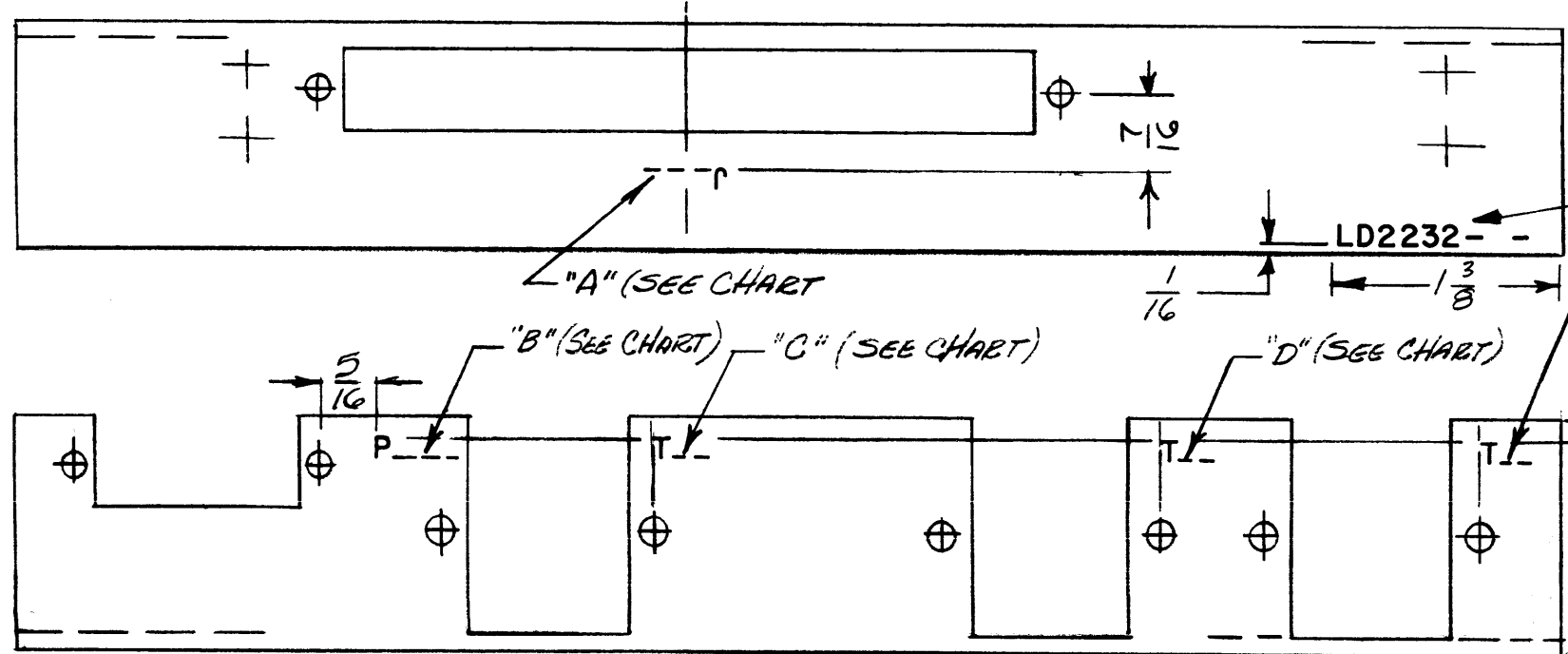
4

3

2

1

REVISIONS						
ZONE	LTR	DESCRIPTION	DATE	E.M.N.NO	DRAFT	CHKD APPD
	X	EXPERIMENTAL RELEASE	8-11-67	-	<i>ML</i>	
	Ø	ORIGINAL RELEASE FOR PROD.	8/16/67	Ø	C.V.	
	A	SYM. SERIES, NOTE ADD., CD, E. UPDATED	7-12-67	18502	ENJ	EFM



NOTE: MARK ONLY AS PER DESIGNATED COL.

TMC Pt. No.	BAND	A	B	C	D	E	SYMBOL SERIES
LD2232-1	1	J207	P212	T1	T2	T3	700
LD2232-2	2	J208	P214	T1	T2	T3	800
LD2232-3	3	J209	P215	T1	T2	T3	1000

MARKING PROCESS: AS PER TMC SPECIFICATION S-727.  
 LETTERING: 1/8 HIGH BLACK GOTHIC, LOCATED AS SHOWN.

3	VLRC-1	
QTY / UNIT	MODEL USED ON	ASS'Y NO.
APPLICATION		
	CODE	
	A	

**NOTICE TO PERSONS RECEIVING THIS DRAWING**  
 THE TECHNICAL MATERIEL CORPORATION claims proprietary right in the material disclosed hereon. This drawing is issued in confidence for engineering information only and may not be reproduced or used to manufacture anything shown hereon without permission from THE TECHNICAL MATERIEL CORPORATION to the user. This drawing is loaned for mutual assistance and is subject to recall at any time.

UNLESS OTHERWISE SPECIFIED DIMENSIONS ARE IN INCHES AND INCLUDE CHEMICALLY APPLIED OR PLATED FINISHES

DECIMALS	FRACTIONS
.X ± .05	1/64
.XX ± .01	TOLS. ANGLES
.XXX ± .005	0° .30'

MATERIAL

FINISH

REF. M155114

REQ'D	ITEM	PART NUMBER	DESCRIPTION	SYM.

MARTINENGO LIST OF MATERIAL

FINAL APPROVAL *SA* DATE 8/11/67  
 MECH. DES. DATE  
 ELECT. DES. DATE  
 CHECKED *ML* DATE 8-15-67  
 DRAWN *H. Austin* DATE 8-11-67

THE TECHNICAL MATERIEL CORP.  
 MAMARONECK, NEW YORK

MARKING, CHASSIS, TRANSFORMER  
 BAND 1, 2, 3

SIZE	CODE IDENT. NO.	DWG NO.	ISSUE
B	82679	LD2232	A

SCALE 1:1 SHEET OF

5

4

3

2

1