

APPLICATION

QTY 1
MODEL USED ON PSP-350C

ASS'Y NO.

LTR X
Ø

DESCRIPTION
EXPERIMENTAL RELEASE
ORIGINAL RELEASE FOR PRODUCTION

DATE
2.17.67
2-21-67

E.M.N.NO
--

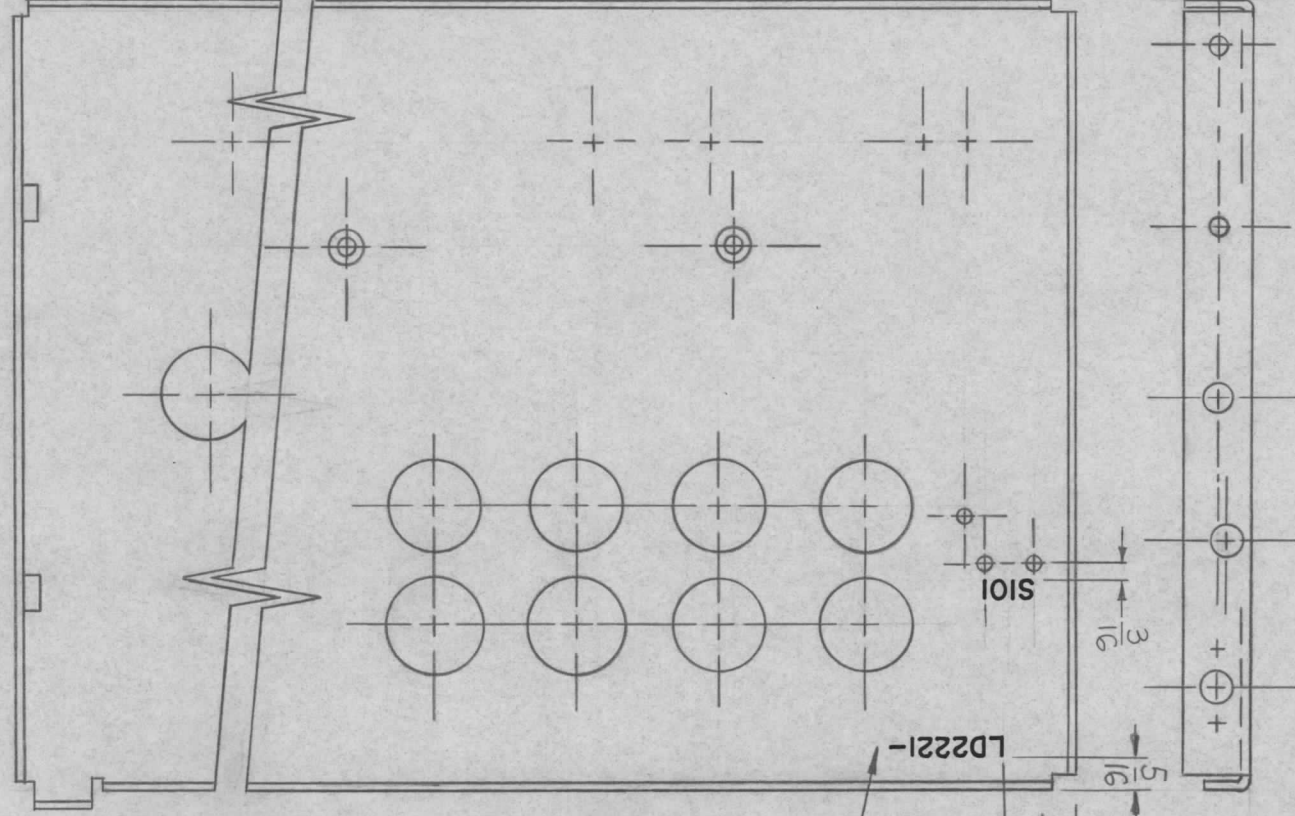
DRAFT
L.H.B.
L.P.K.

CHKD

APPD

REVISIONS

MARK TMC PART/No.
of HIGH GOTHIC W/LATEST REVISION LETTER
REAR VIEW SHOWN



UNLESS OTHERWISE SPECIFIED
1 - MARKING PROCESS: AS PER TMC SPECIFICATION S727
2 - LETTERING: 1/8 HIGH BLACK GOTHIC,
LOCATED AS SHOWN

REF: MS5073

REQ'D ITEM	PART NUMBER	DESCRIPTION	SYM.
L. BUTLER		LIST OF MATERIAL	
FINAL APPROV. <i>[Signature]</i>	DATE	THE TECHNICAL MATERIEL CORP.	
MECH. DES. <i>[Signature]</i>	DATE	MAMARONECK, NEW YORK	
ELECT. DES. <i>[Signature]</i>	DATE	MARKING-PLATE, RT SIDE	
CHECKED <i>[Signature]</i>	DATE		
DRAWN <i>[Signature]</i>	DATE 2.17.67		
MATERIAL A		SIZE A	CODE IDENT. NO. LD2221
FINISH 4		SCALE 1:2	ISSUE Ø
			SHEET 1 OF 1

NOTICE TO PERSONS RECEIVING THIS DRAWING
THE TECHNICAL MATERIEL CORPORATION claims proprietary right in the material disclosed hereon. This drawing is issued in confidence for engineering information only and may not be reproduced or used to manufacture anything shown hereon without permission from THE TECHNICAL MATERIEL CORPORATION to the user. This drawing is loaned for mutual assistance and is subject to recall at any time.