

5

4

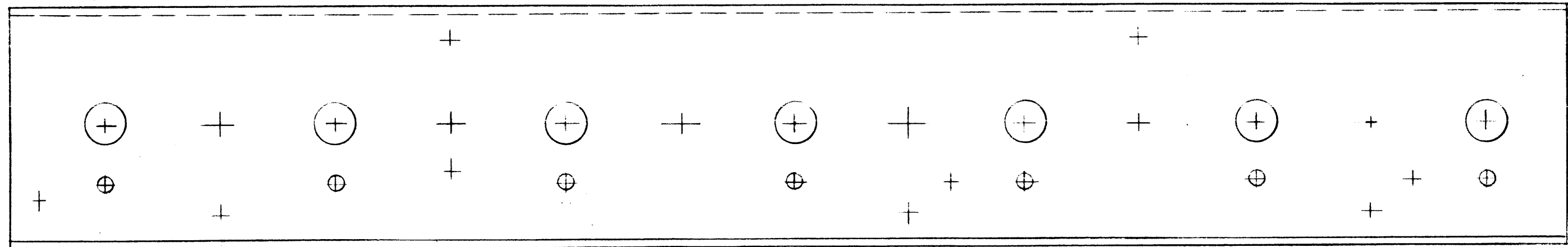
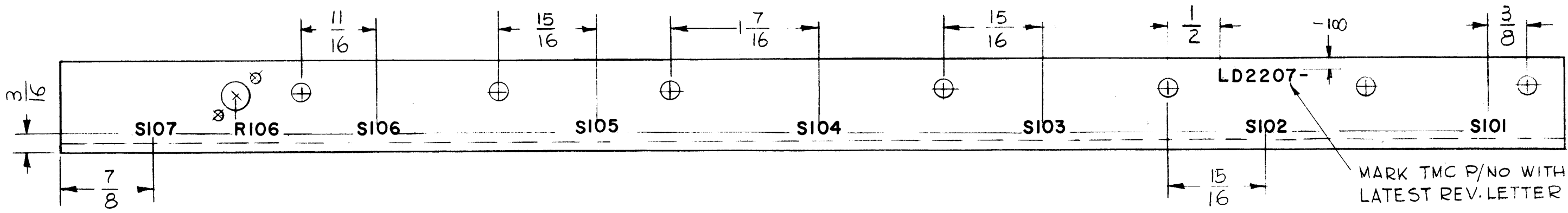
3

2

1

REVISIONS

ZONE	LTR	DESCRIPTION	DATE	E.M.N.NO	DRAFT	CHKD	APPL
	X	EXP. RELEASE	1-26-67		G.D.L		
	XI	REV. & UPDATED	4-4-68		G.D.L		
		ORIG. RELEASE FOR UNCL. SOURCE					



MARKING PROCESS: AS PER TMC SPECIFICATION S-727.

LETTERING: 1/8 HIGH BLACK GOTHIC, LOCATED AS SHOWN.

REF: MS6007

1	VOX-7	BMA-III
QTY / UNIT	MODEL USED ON	ASS'Y NO.
APPLICATION		
S401-451	CODE A	
NOTICE TO PERSONS RECEIVING THIS DRAWING THE TECHNICAL MATERIEL CORPORATION claims proprietary right in the material disclosed hereon. This drawing is issued in confidence for engineering information only and may not be reproduced or used to manufacture anything shown hereon without permission from THE TECHNICAL MATERIEL CORPORATION to the user. This drawing is loaned for mutual assistance and is subject to recall at any time.		

UNLESS OTHERWISE SPECIFIED DIMENSIONS ARE IN INCHES AND INCLUDE CHEMICALLY APPLIED OR PLATED FINISHES	
DECIMALS .X ± .05 .XX ± .01 .XXX ± .005	FRACTIONS TOLS. 1/64 ANGLES 0° -30'
MATERIAL	
FINISH	

REQ'D	ITEM	PART NUMBER	DESCRIPTION	SYM.
			LIST OF MATERIAL	
FINAL APPROVAL		DATE	THE TECHNICAL MATERIEL CORP.	
MECH. DES.		5-2-68	MAMARONECK, NEW YORK	
ELECT. DES.		DATE	MARKING, BRACKET, SWITCH MTG.	
CHECKED		4/21/68		
DRAWN		DATE		
		1-25-67		
SIZE	CODE IDENT. NO.	DWG NO.	ISSUE	
B	82679	LD 2207	Ø	
SCALE	SHEET		OF	

5

4

3

2

1