

5

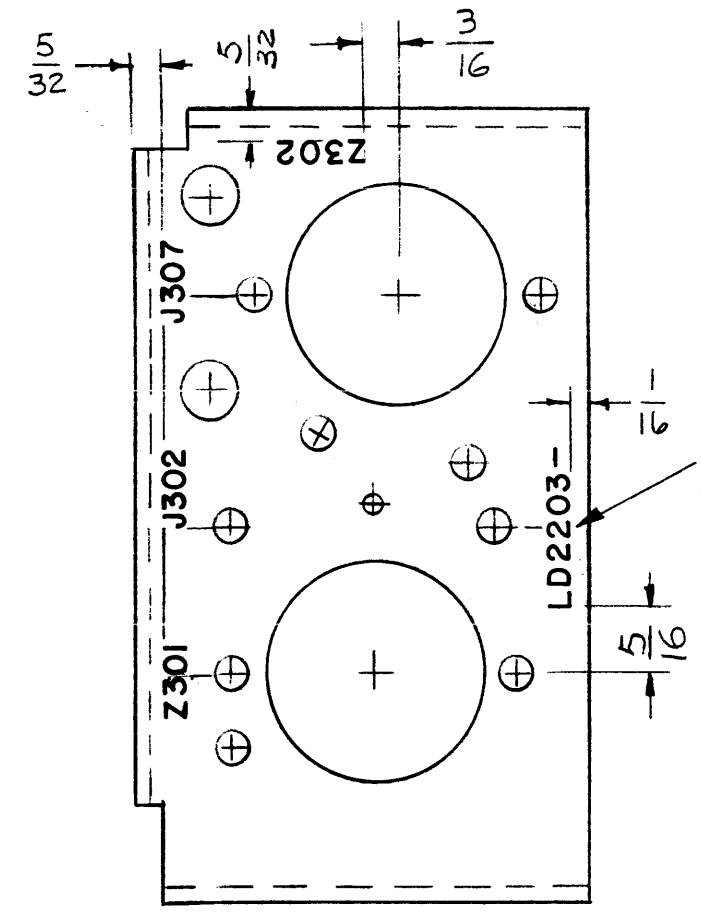
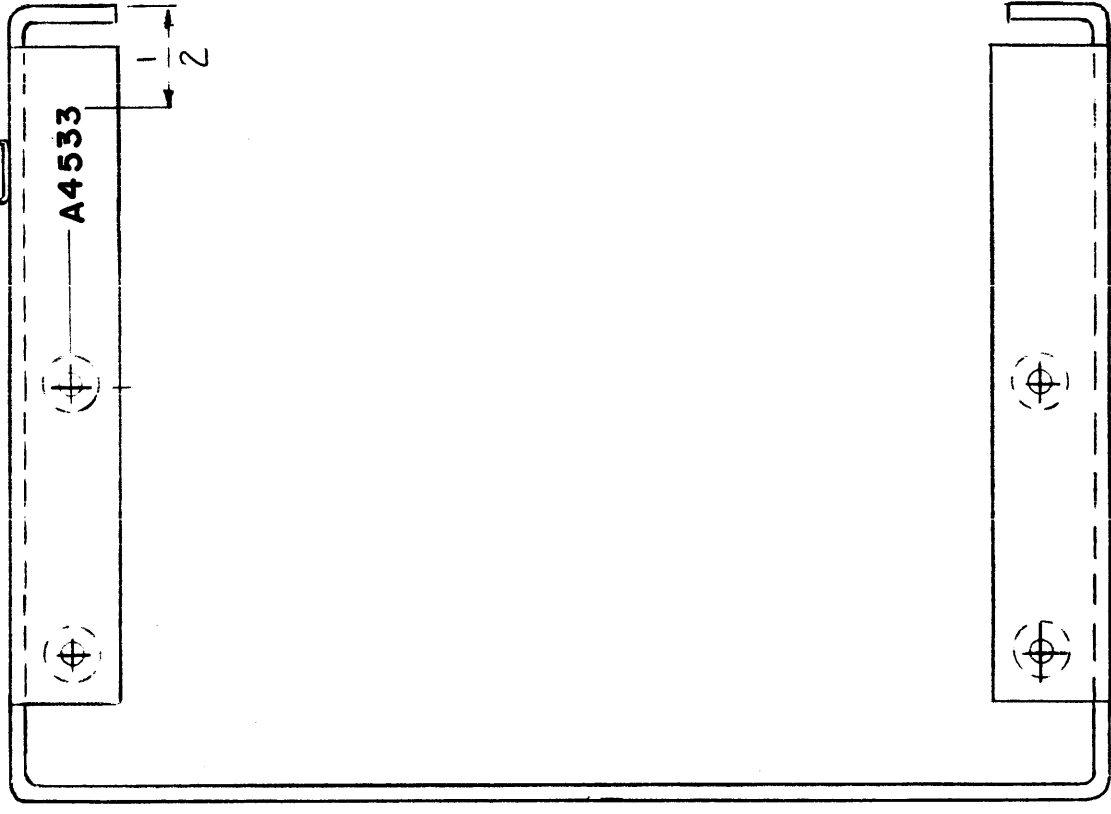
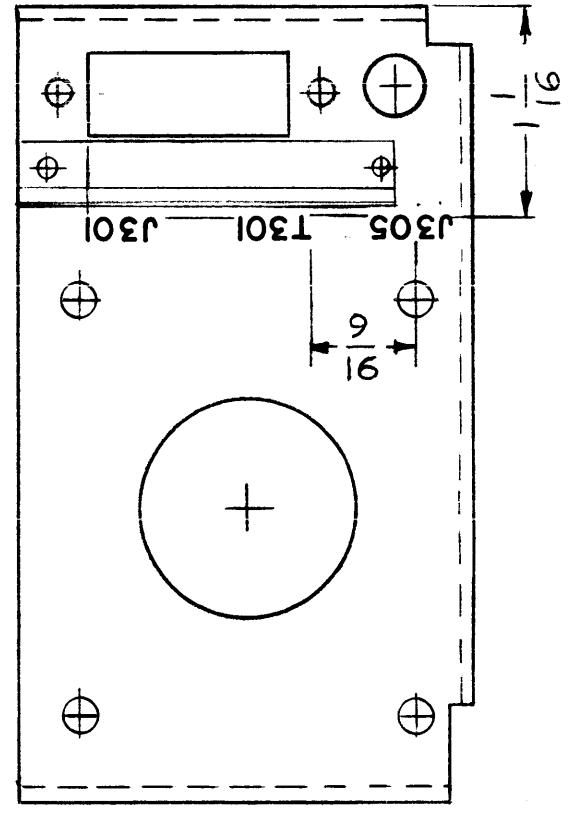
4

3

2

1

| REVISIONS |     |  |          |          |                    |                    |
|-----------|-----|--|----------|----------|--------------------|--------------------|
| ZONE      | LTR | DESCRIPTION                                    | DATE     | E.M.N.NO | DRAFT              | CHKD APPD          |
|           | X   | EXP. RELEASE                                   | 1-24-67  |          | G.D.L              | <i>[Signature]</i> |
|           | Ø   | ORIG RELEASE FOR PROD                          | 6-26-67  | Ø        | RG                 | <i>[Signature]</i> |
|           | A   | MODEL HFSR-4 DELETED<br>MOD. MMX-( ) WAS MMX-1 | 10/29/67 | CC.      | <i>[Signature]</i> | <i>[Signature]</i> |



MARK TMC P/No.  
WITH LATEST REV.  
LETTER.

MARKING PROCESS: AS PER TMC SPECIFICATION S-727.  
LETTERING: 1/8 HIGH BLACK GOTHIC, LOCATED AS SHOWN.

REF: MS6012

|   |               |           |
|---|---------------|-----------|
| 1   | VOX-7         | AX 651    |
| 1   | MMX-( )       | AX 652    |
| QTY / UNIT  | MODEL USED ON | ASS'Y NO. |
| APPLICATION   |               |           |
| S401-451  | CODE<br>A     |           |
| <p>NOTICE TO PERSONS RECEIVING THIS DRAWING<br/>THE TECHNICAL MATERIEL CORPORATION claims proprietary right in the material disclosed hereon. This drawing is issued in confidence for engineering information only and may not be reproduced or used to manufacture anything shown hereon without permission from THE TECHNICAL MATERIEL CORPORATION to the user. This drawing is loaned for mutual assistance and is subject to recall at any time.</p> |               |           |

|   |  |  |
|---|--|--|
| UNLESS OTHERWISE SPECIFIED DIMENSIONS ARE IN INCHES AND INCLUDE CHEMICALLY APPLIED OR PLATED FINISHES | DECIMALS<br>.X ± .05<br>.XX ± .01<br>.XXX ± .005 | FRACTIONS<br>1/64<br>ANGLES<br>0° -30' |
| MATERIAL  | FINISH   |  |

|                                     |                 |             |  |      |
|-------------------------------------|-----------------|-------------|--|------|
| REQ'D                               | ITEM            | PART NUMBER | DESCRIPTION  | SYM. |
|                                     |                 |             | LIST OF MATERIAL                                     |      |
| O. POSE                             |                 |             | THE TECHNICAL MATERIEL CORP.<br>MAMARONECK, NEW YORK |      |
| MARKING, BRACKET, MTG. POWER SUPPLY |                 |             |  |      |
| SIZE                                | CODE IDENT. NO. | DWG NO.     | ISSUE  |      |
| B                                   | 82679           | LD 2203     | A  |      |
| SCALE 1:1                           |                 | SHEET OF    |  |      |

D

C

B

A

C

B

A