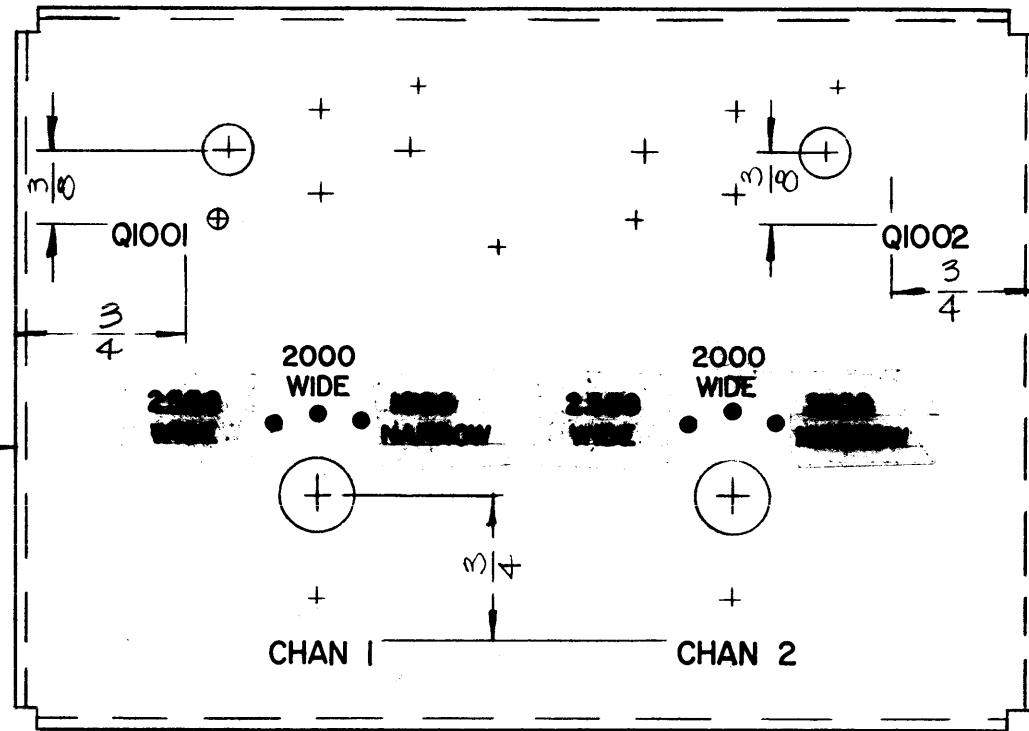
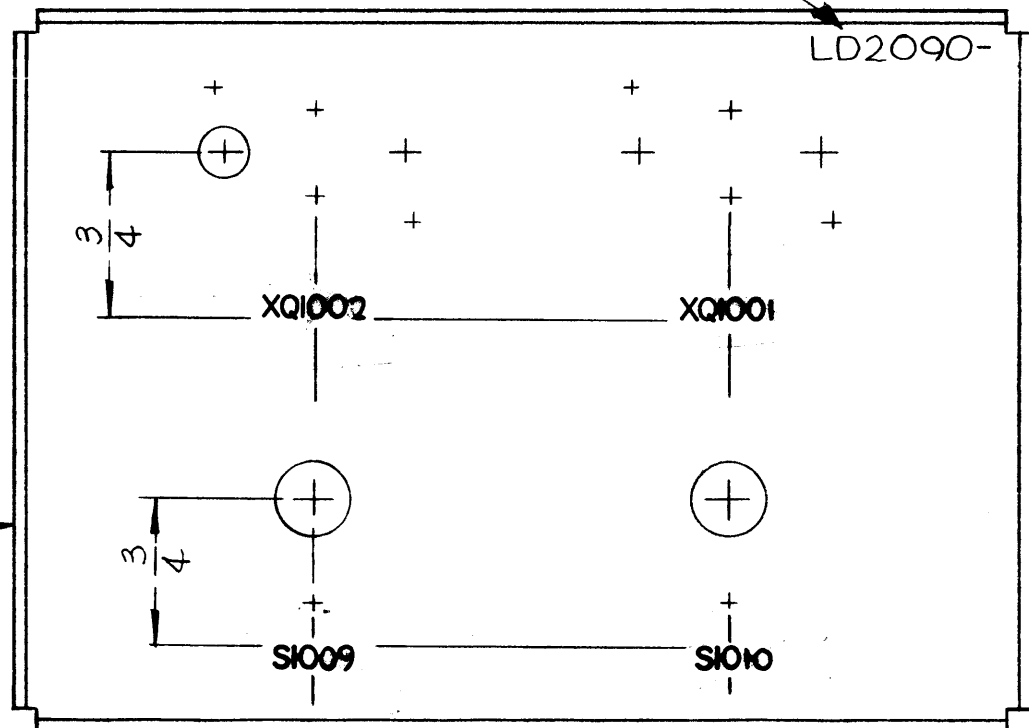


TOP VIEW



MARK TMC P/N 1/8 HIGH GOTHIC
W/LATEST REV LETTER

BOTTOM VIEW



LD2090

REVISIONS

SYM	DESCRIPTION	DATE	F.M.N. NO.	DRAFT	CHKD	APPD
X	EXPERIMENTAL RELEASE	5-31-66	H	WBO	QCB	
X1	SWITCH MARKING REVERSED (2550 & 1000)	8-24-66	X1	JBC	QCB	
Ø	ORIGINAL RELEASE FOR PRODUCTION	9/26/66	Ø	CV		

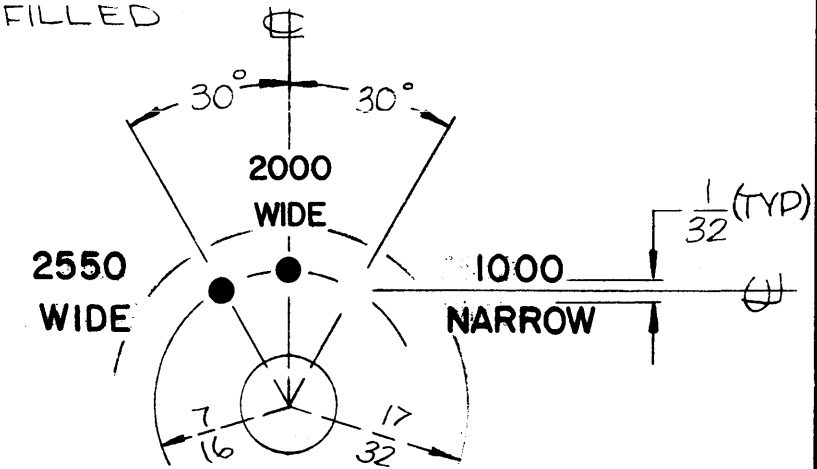
UNLESS OTHERWISE SPECIFIED:

MARKING PROCESS: AS PER TMC SPEC S727

LETTERING: 1/8 HIGH BLACK GOTHIC, LOCATED AS SHOWN

ALL LETTER GROUPS TO BE CENTERED ON HOLES OR INDICATING LINES

ALL DOTS 1/16 DIA BLACK FILLED



DETAIL "A" (DO NOT SCALE)
(2 REQ)

REF: MS4929

REQ'D.	ITEM	PART NUMBER	DESCRIPTION	SYMBOL
DUDDLES LIST OF MATERIAL				
MATERIAL			THE TECHNICAL MATERIEL CORP. MAMARONECK, NEW YORK	
FINISH			TITLE MARKING PLATE, MTG, SWITCH	
UNLESS OTHERWISE SPECIFIED DIMENSIONS ARE IN INCHES AND INCLUDE CHEMICALLY APPLIED OR PLATED FINISHES			DRAWN WBO	DATE 5-31-66
			CHECKED QCB	DATE
DECIMALS .X ± .05 .XX ± .01 .XXX ± .05			ELECT. DES. A. S. S. S.	DATE 9-23-66
			MECH. DES.	DATE
TOLERANCES			FINAL APPROVAL M/L/R/B	DATE 9/24/66
FRACTIONS ± 1/64 ANGLES ± 0° 30'			LD2090	Ø
THE CONTENTS OF THIS DRAWING ARE THE EXCLUSIVE PROPERTY OF THE TECHNICAL MATERIEL CORP. ITS UNAUTHORIZED USE OR REPRODUCTION IN WHOLE OR IN PART IS STRICTLY FORBIDDEN.			SHEET	REV. LTR.

NOTES

1	CFA-2	A5524
QTY./UNIT	MODEL USED ON	ASS'Y. NO.
SCALE	CODE	