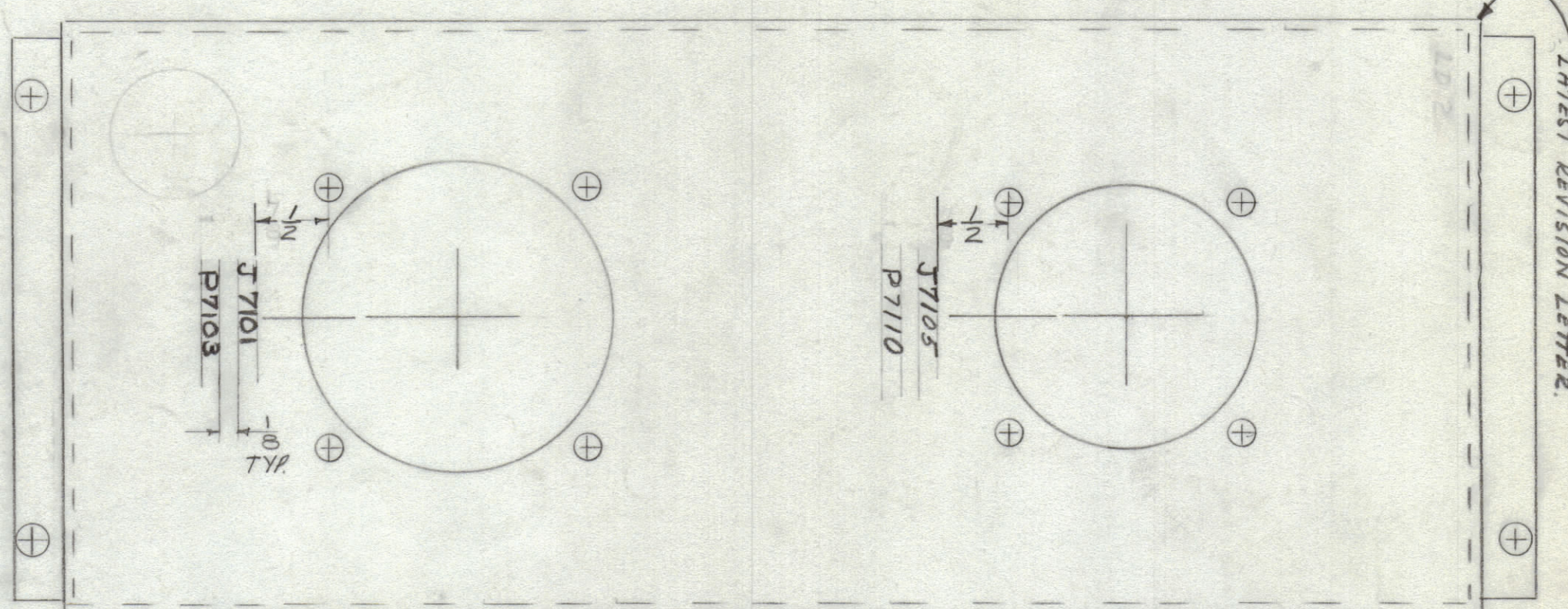
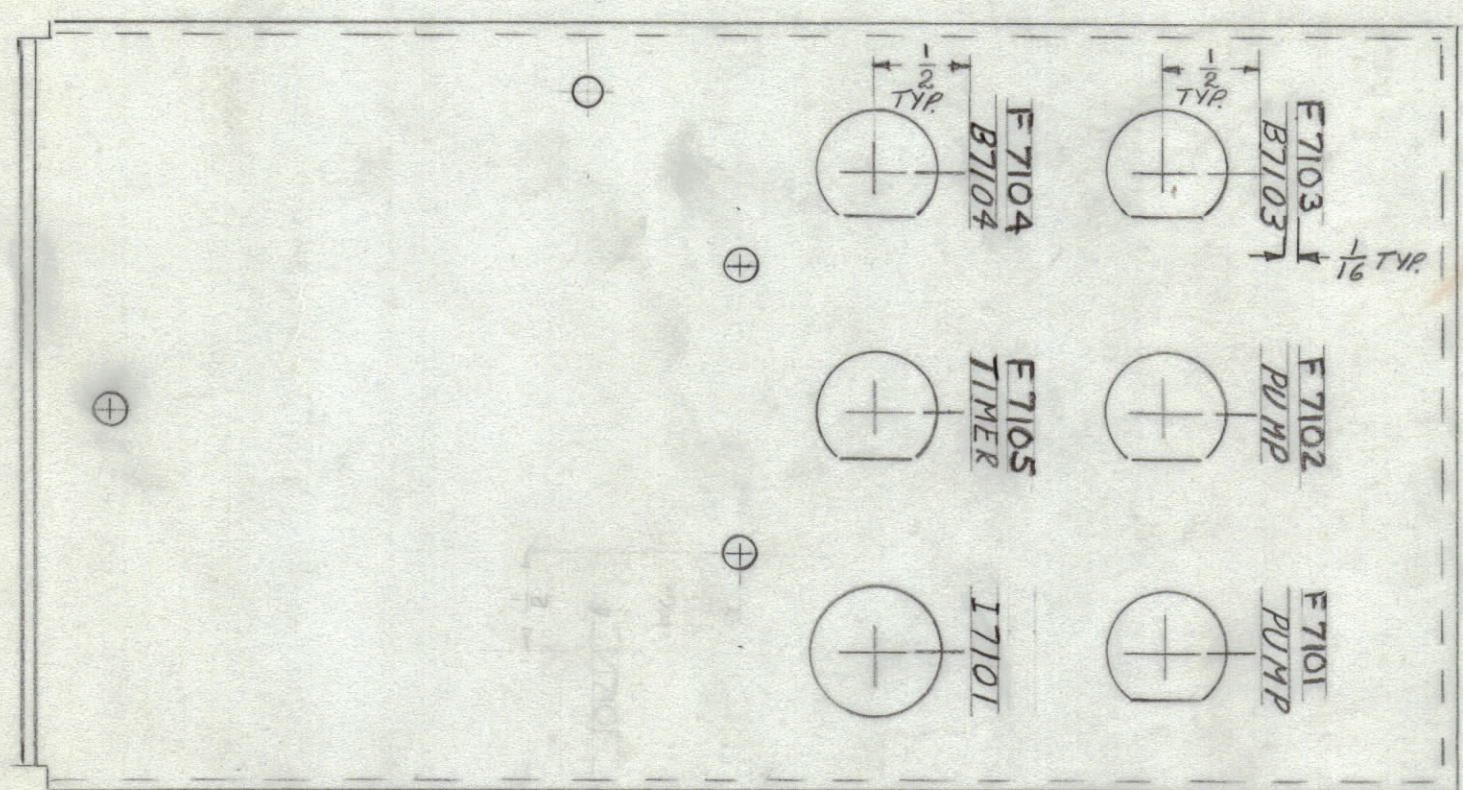
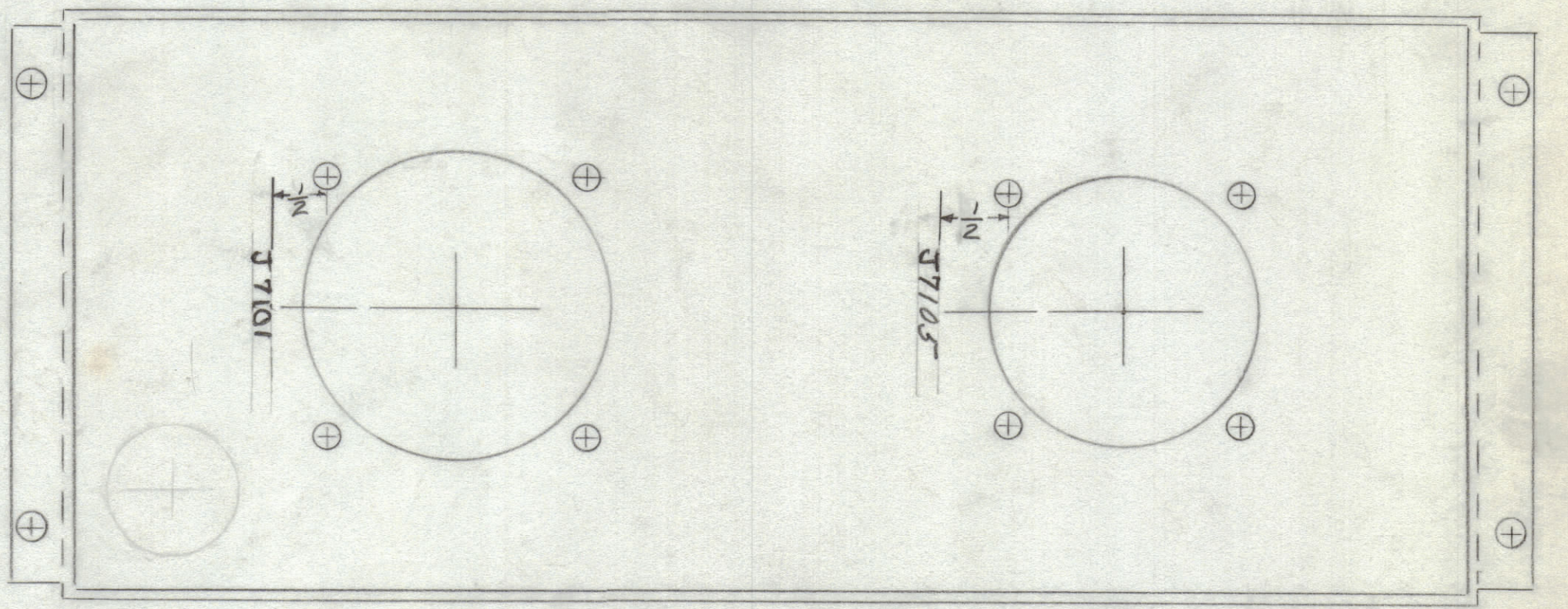
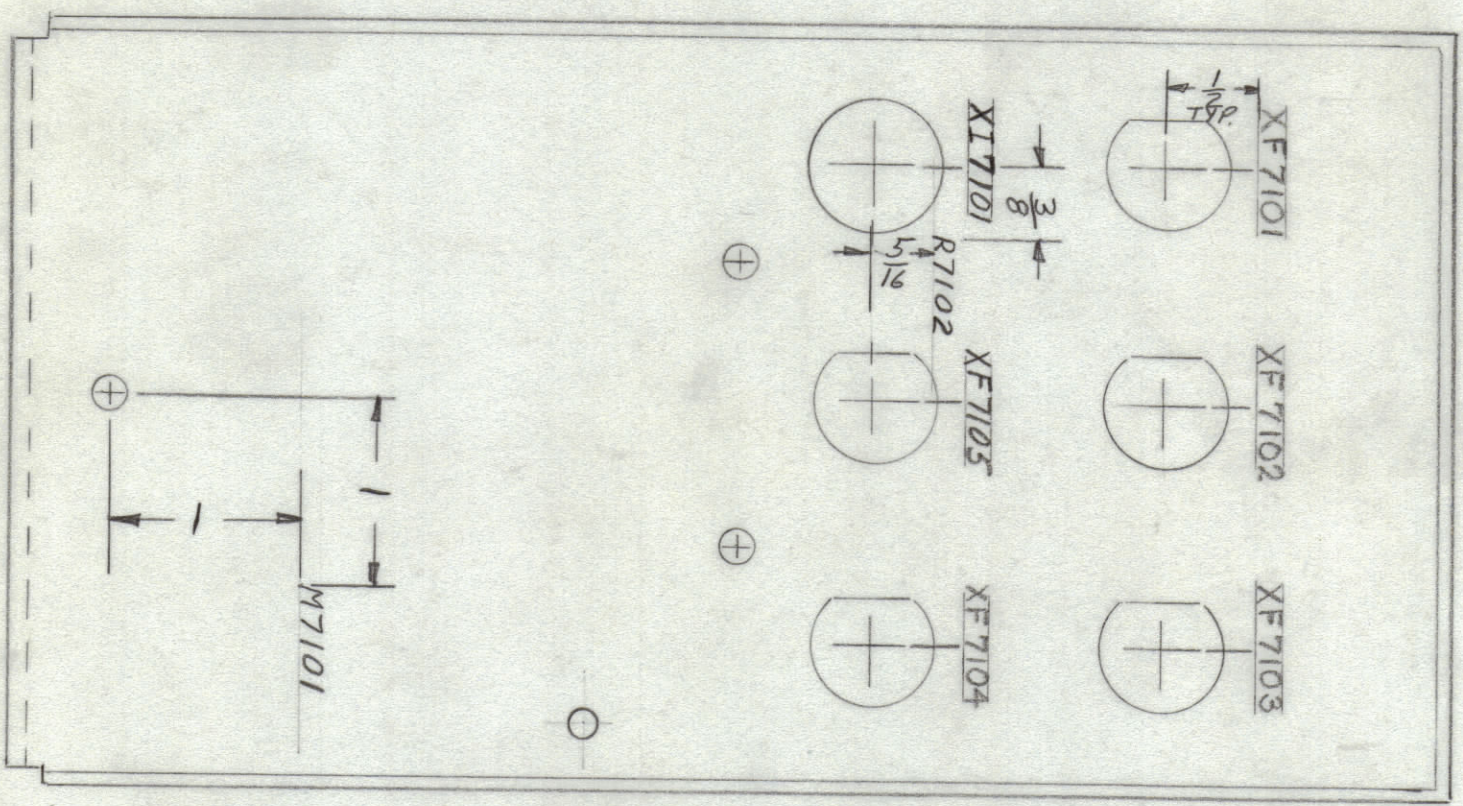


REVISIONS							
ZONE	SYM	DESCRIPTION	DATE	E.M.N. NO.	DRAFT	CHKD	APPD
	Ø	ORIGINAL RELEASE FOR PRODUCTION	2/2/66				<i>[Signature]</i>



EXTERNAL VIEW



INTERNAL VIEW

LD-2046 Ø

REF. - MS - 4851

REQ'D.	ITEM	PART NUMBER	DESCRIPTION	SYMBOL
LIST OF MATERIAL				
MATERIAL		THE TECHNICAL MATERIEL CORP. MAMARONECK, NEW YORK		
FINISH		TITLE <i>MARKING WRAPAROUND PUMP CONTACTOR</i>		
UNLESS OTHERWISE SPECIFIED DIMENSIONS ARE IN INCHES AND INCLUDE CHEMICALLY APPLIED OR PLATED FINISHES		DRAWN <i>[Signature]</i>	DATE <i>13 JAN 66</i>	FINAL APPROVAL <i>[Signature]</i>
		CHECKED <i>[Signature]</i>	DATE <i>2-2-66</i>	DATE <i>2/2/66</i>
DECIMALS .X ± .05 .XX ± .01 .XXX ± .005		FRACTIONS ± 1/64 ANGLES ± 0° 30'		DATE <i>2/1/65</i>
TOLERANCES		ELECT. DES. <i>RJP</i>	DATE <i>2/1/65</i>	DATE <i>2/1/65</i>
		MECH. DES.	DATE	DATE
			SHEET	REV. LTR.

1	KIT 180	
Q'TY./UNIT	MODEL USED ON	ASS'Y. NO.
	CODE	
THE CONTENTS OF THIS DRAWING ARE THE EXCLUSIVE PROPERTY OF THE TECHNICAL MATERIEL CORP. ITS UNAUTHORIZED USE OR REPRODUCTION IN WHOLE OR IN PART IS STRICTLY FORBIDDEN.		

NOTES