

NOTES

THE CONTENTS OF THIS DRAWING ARE THE EXCLUSIVE PROPERTY OF THE TECHNICAL MATERIEL CORP. ITS UNAUTHORIZED USE OR REPRODUCTION IN WHOLE OR IN PART IS STRICTLY FORBIDDEN.

UNLESS OTHERWISE SPECIFIED DIMENSIONS ARE IN INCHES AND INCLUDE CHEMICALLY APPLIED OR PLATED FINISHES

SCALE 1:1
QTY./UNIT
MODEL USED ON
ASSY. NO.

DECIMALS
FRACTIONS
TOLERANCES
± 1/8
± 1/16
± .005

UNLESS OTHERWISE SPECIFIED DIMENSIONS ARE IN INCHES AND INCLUDE CHEMICALLY APPLIED OR PLATED FINISHES

DATE 12-29-66
DRAWN G.D.L.
CHECKED
ELECT. DES.
MECH. DES.

DATE 1-18-67
DATE 2-4-66
SHEET

REV. LTR.

REPRODUCTION NO. 4408

DATE 2-4-66

DATE 1-18-67

DATE 12-29-66

DATE 1-18-67

DATE 2-4-66

DATE 1-18-67

DATE 12-29-66

DATE 1-18-67

DATE 2-4-66

DATE 1-18-67

DATE 12-29-66

DATE 1-18-67

DATE 2-4-66

DATE 1-18-67

DATE 12-29-66

DATE 1-18-67

DATE 2-4-66

DATE 1-18-67

DATE 12-29-66

DATE 1-18-67

DATE 2-4-66

DATE 1-18-67

DATE 12-29-66

DATE 1-18-67

DATE 2-4-66

ZONE	SYM	DESCRIPTION	DATE	E.M.N. NO.	DRAFT	CHKD	APPD
		ORIGINAL RELEASE FOR PRODUCTION	2/3/67				

REV. LTR.	DATE	DESCRIPTION

SYMBOL	DESCRIPTION	PART NUMBER	REQ'D.	ITEM	POSE

SYMBOL	DESCRIPTION	PART NUMBER	REQ'D.	ITEM	POSE

SYMBOL	DESCRIPTION	PART NUMBER	REQ'D.	ITEM	POSE

SYMBOL	DESCRIPTION	PART NUMBER	REQ'D.	ITEM	POSE

SYMBOL	DESCRIPTION	PART NUMBER	REQ'D.	ITEM	POSE

SYMBOL	DESCRIPTION	PART NUMBER	REQ'D.	ITEM	POSE

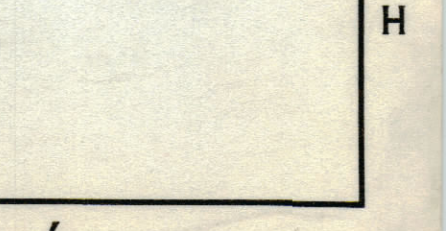
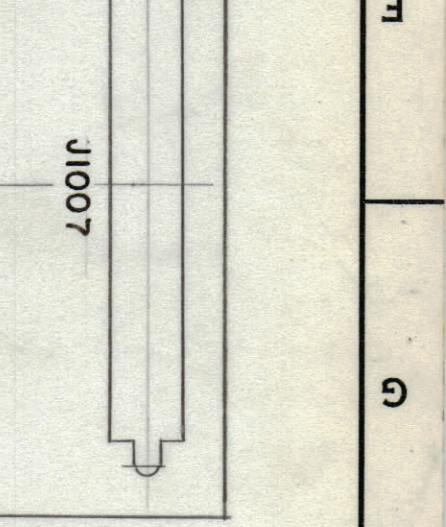
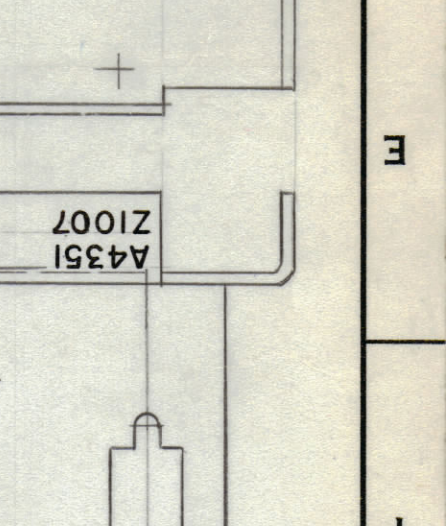
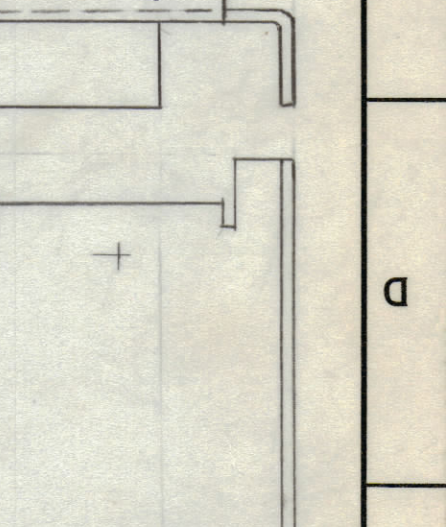
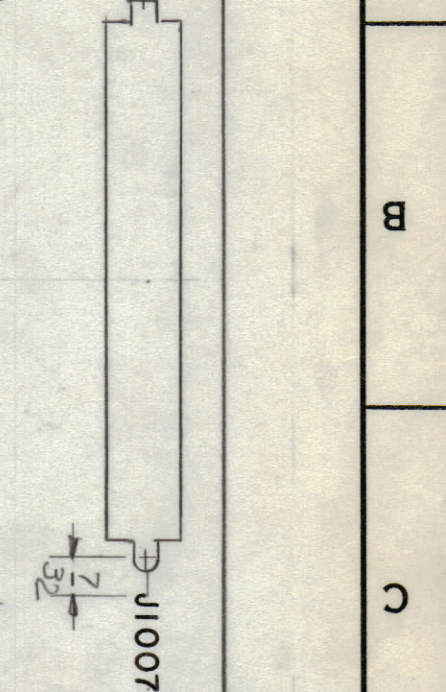
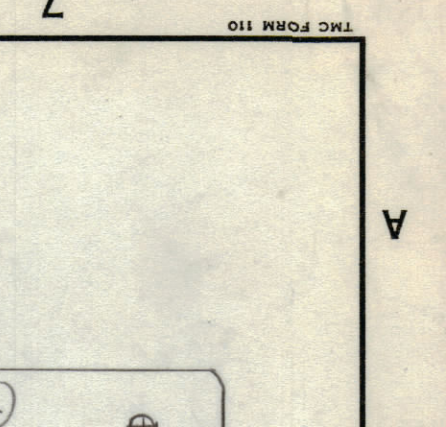
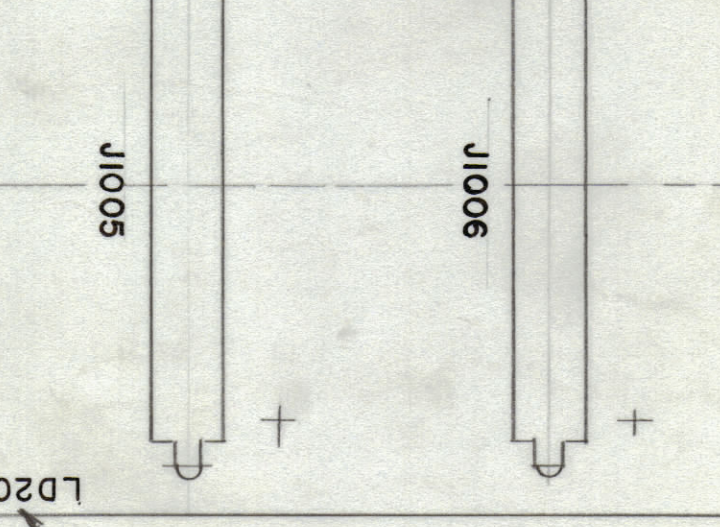
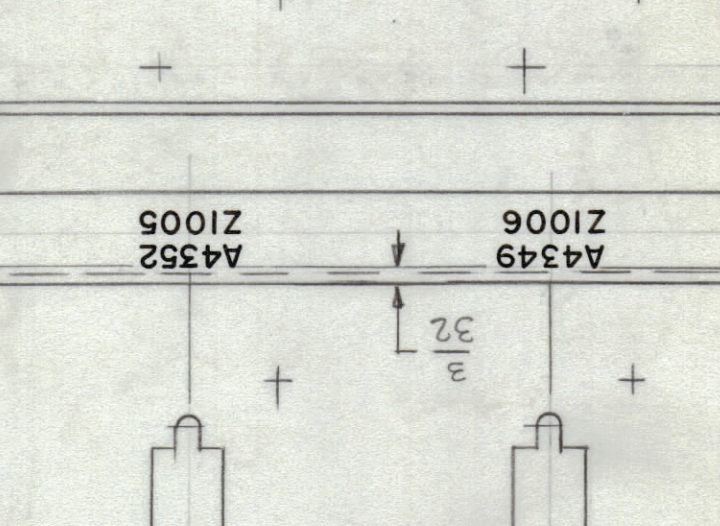
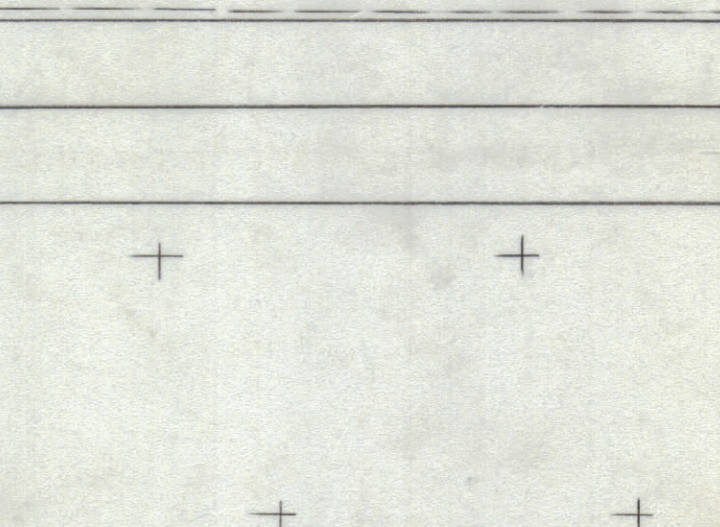
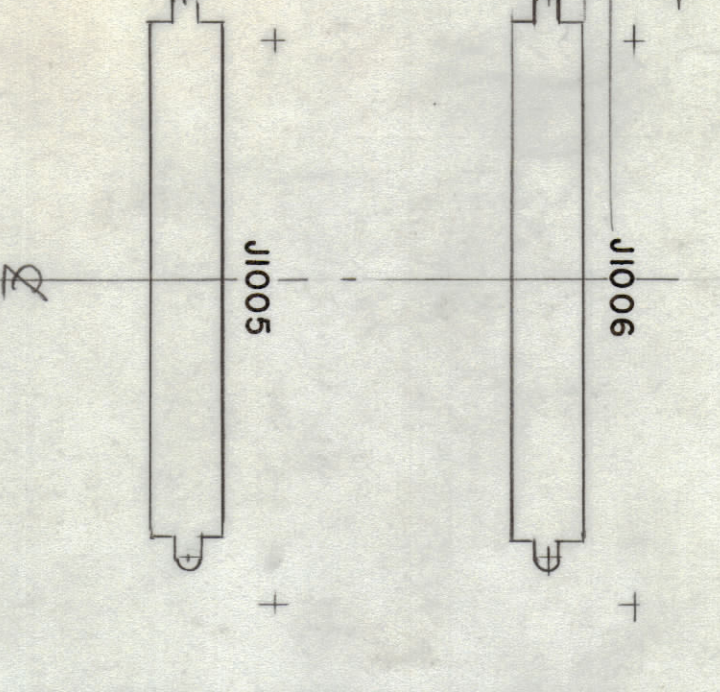
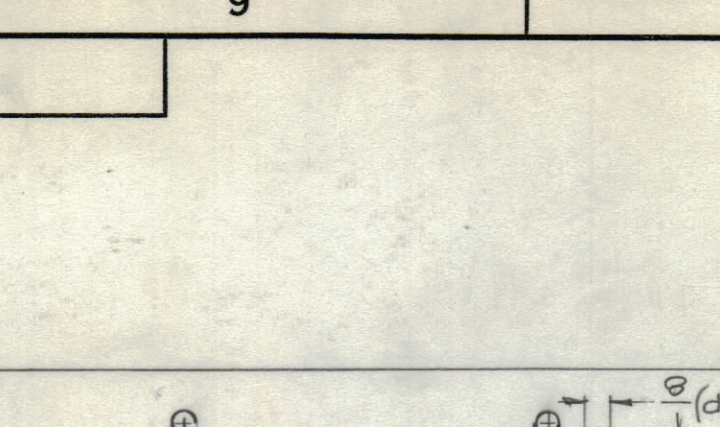
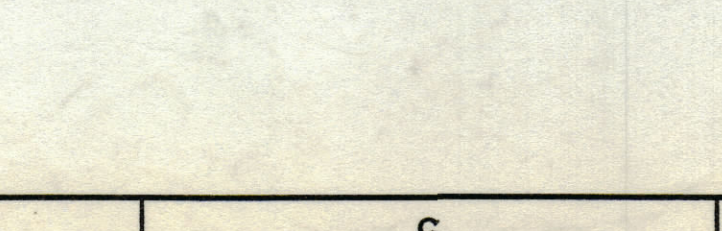
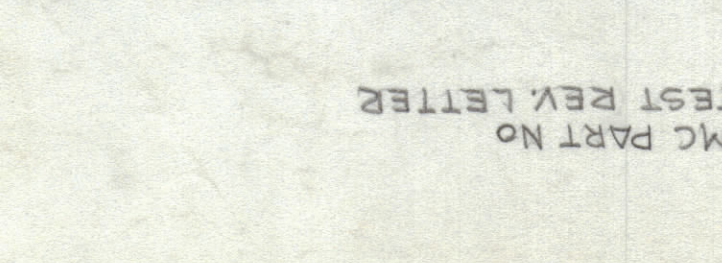
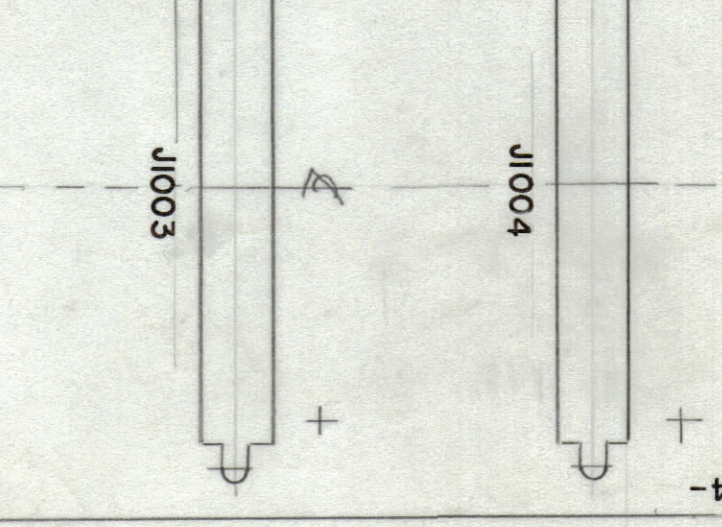
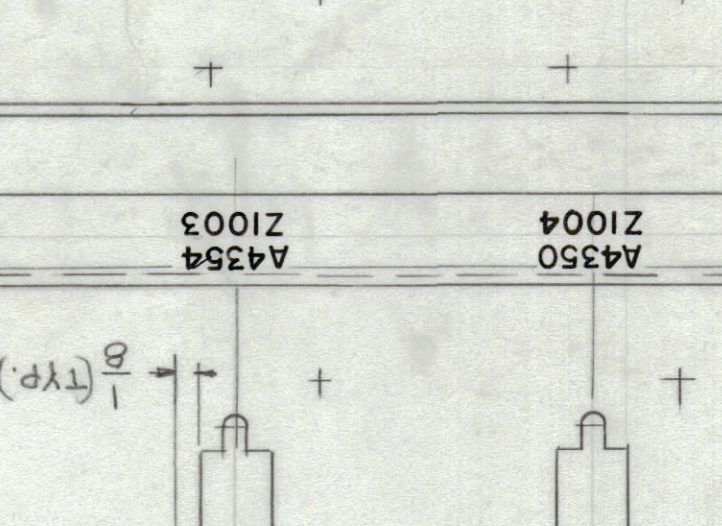
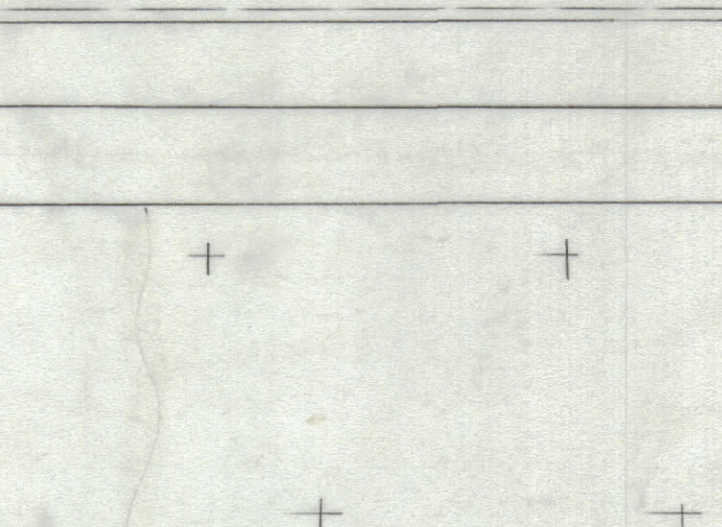
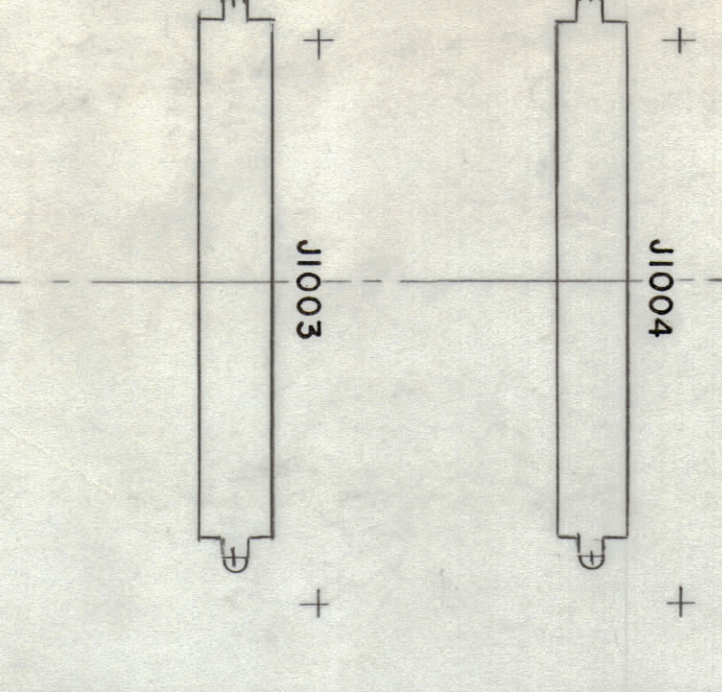
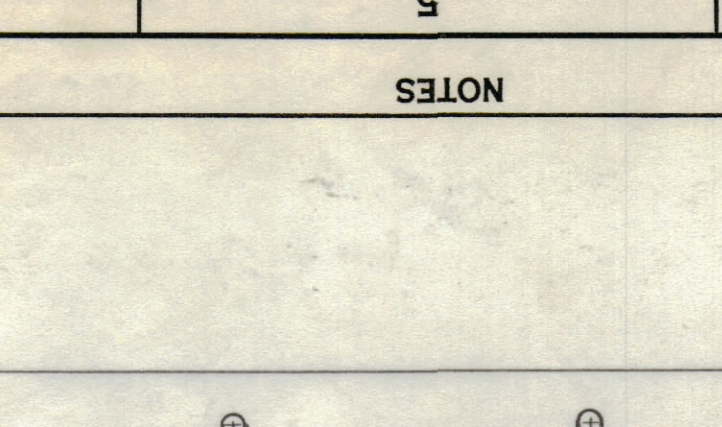
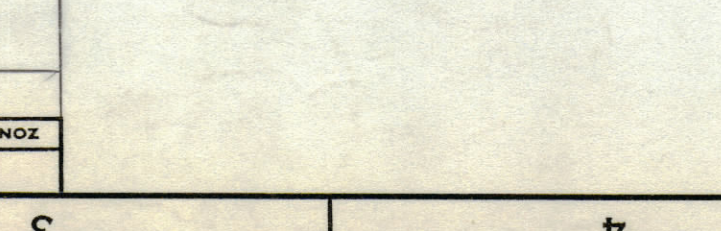
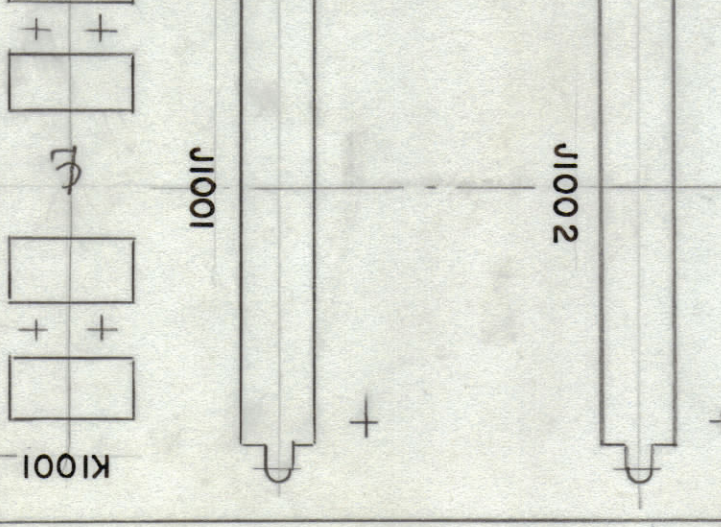
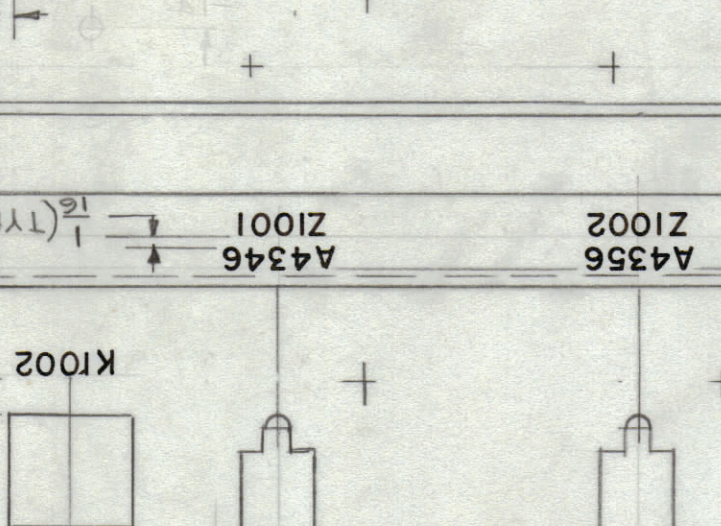
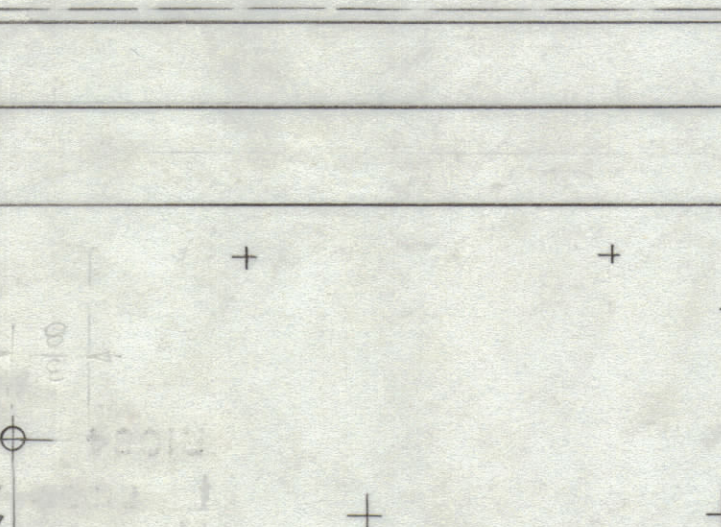
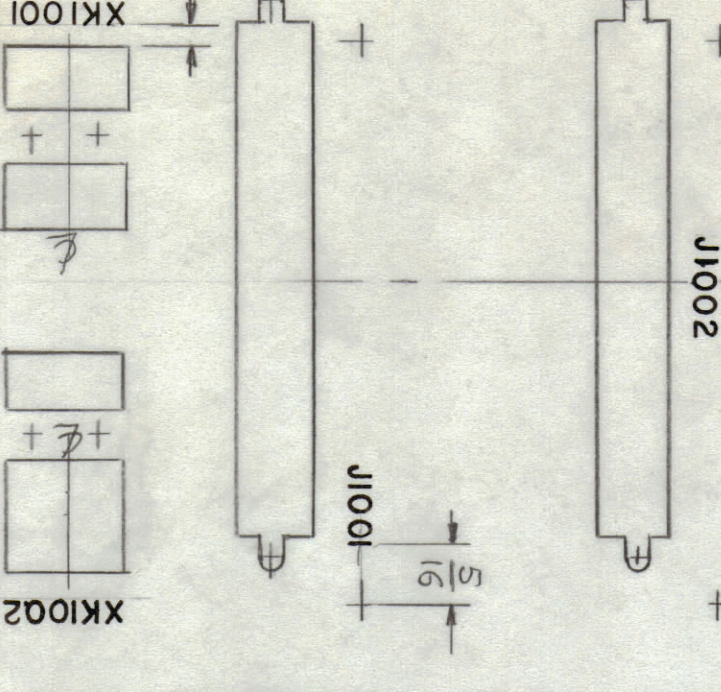
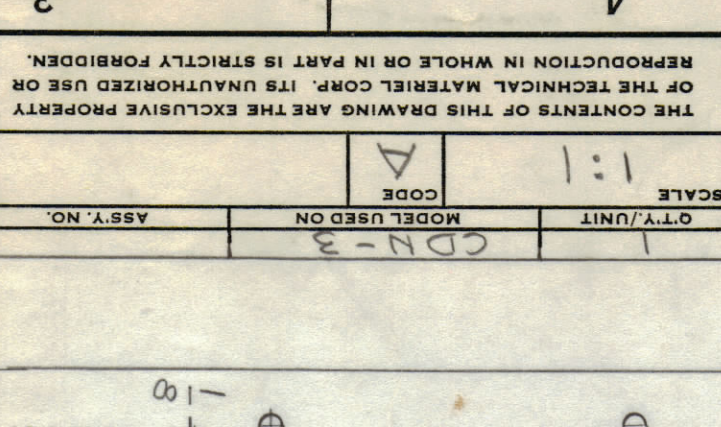
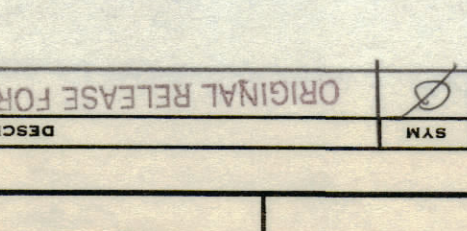
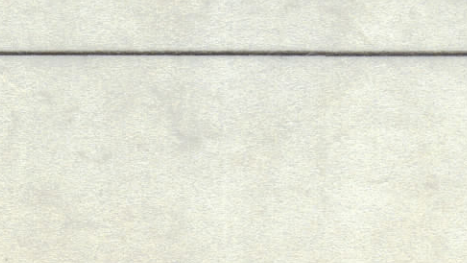
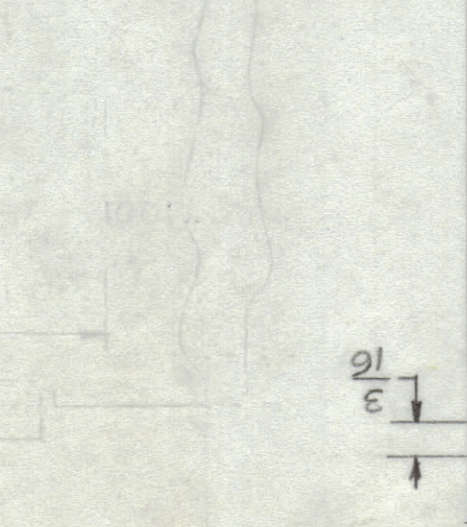
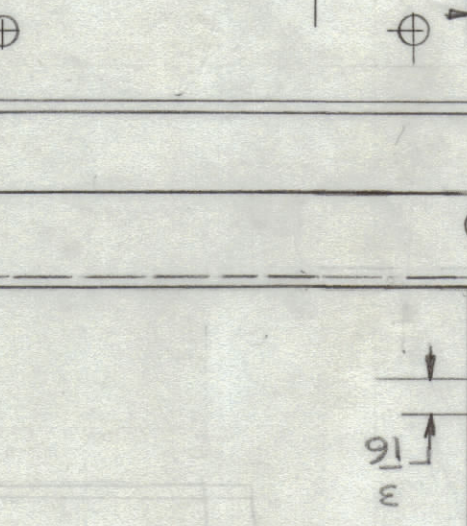
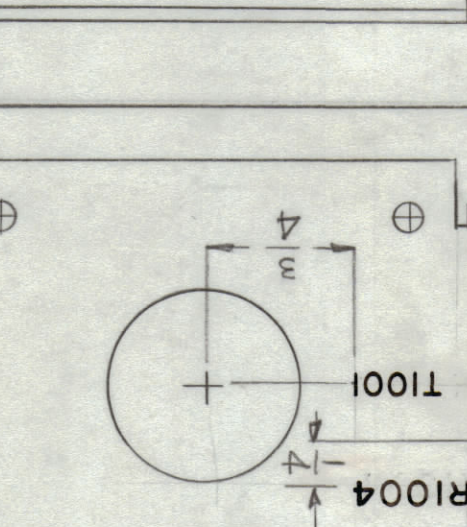
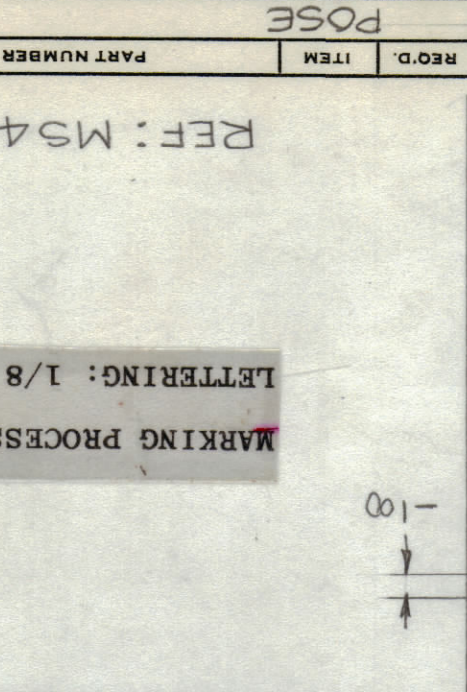
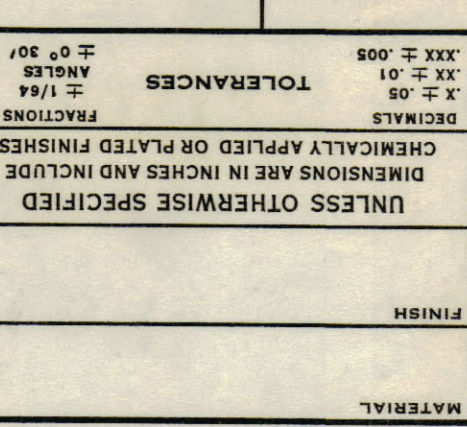
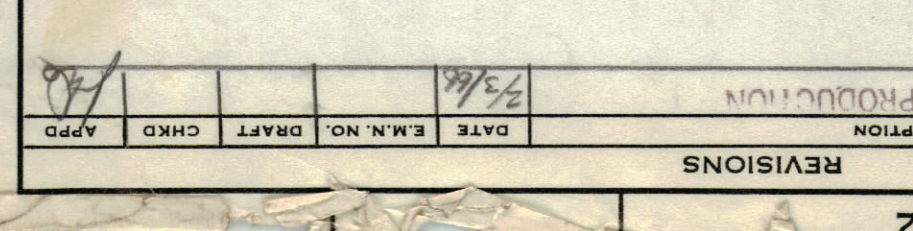
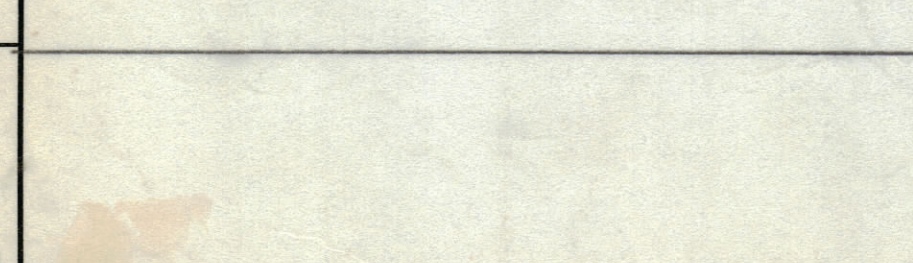
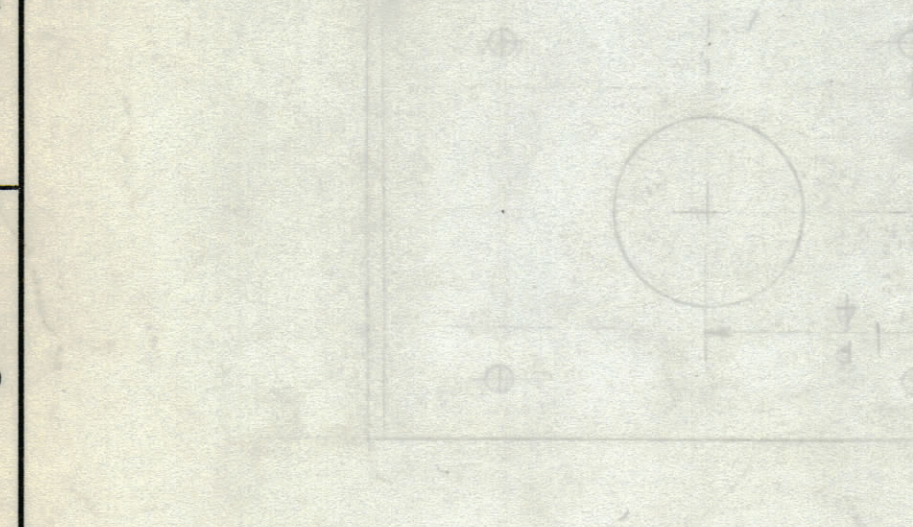
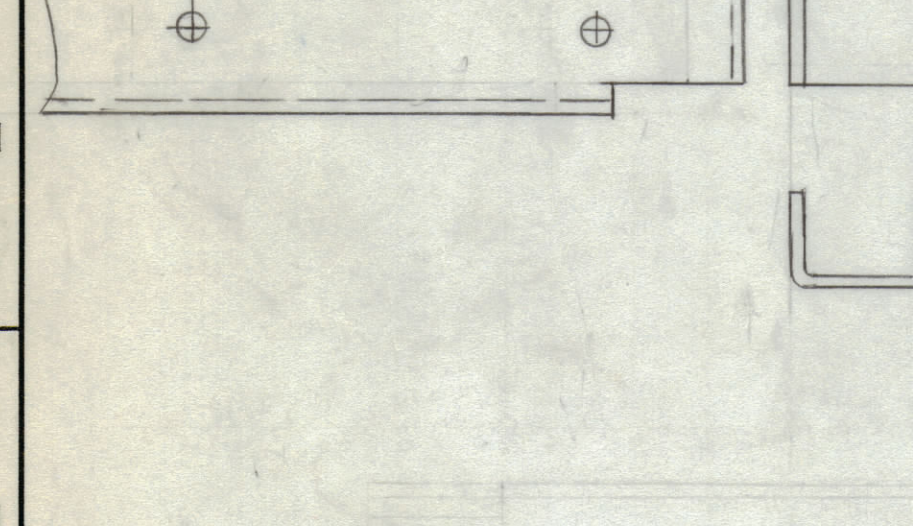
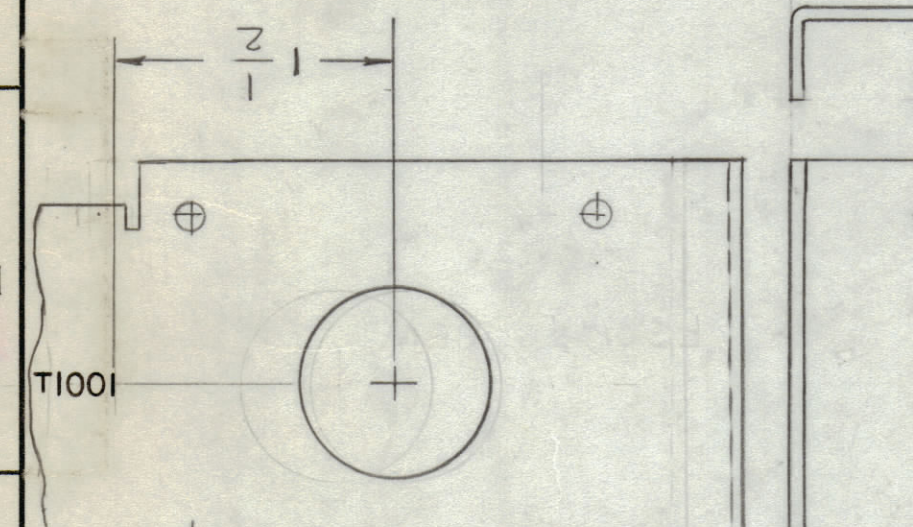
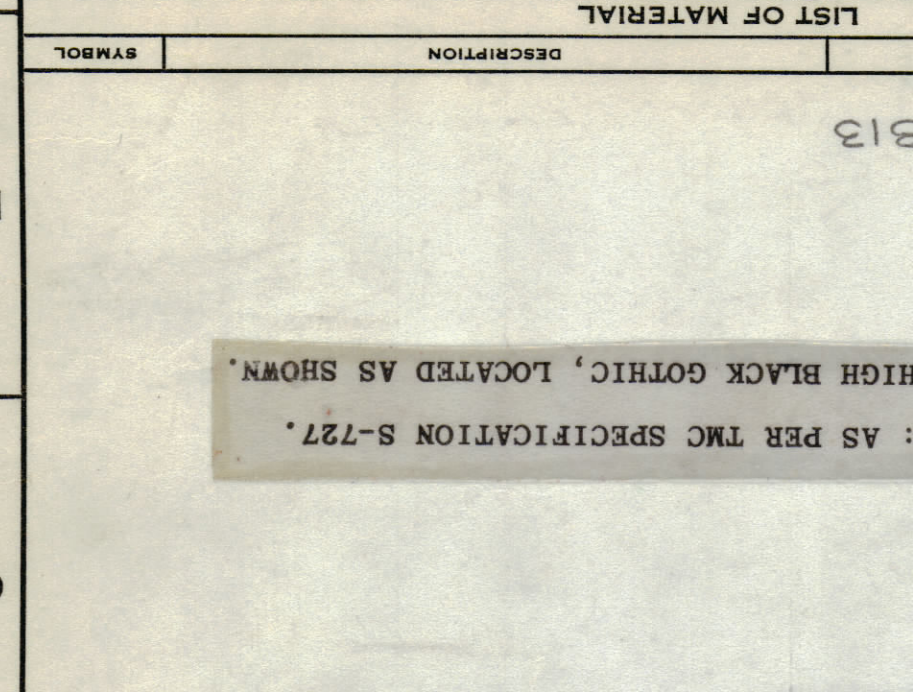
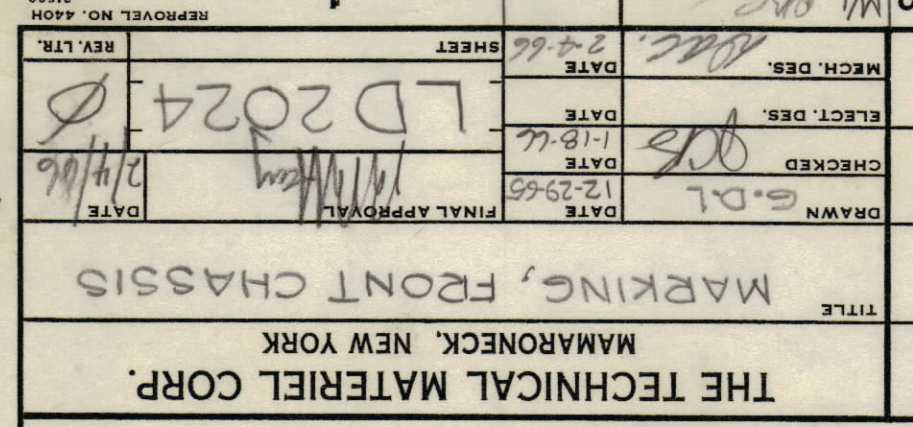
SYMBOL	DESCRIPTION	PART NUMBER	REQ'D.	ITEM	POSE

SYMBOL	DESCRIPTION	PART NUMBER	REQ'D.	ITEM	POSE

SYMBOL	DESCRIPTION	PART NUMBER	REQ'D.	ITEM	POSE

SYMBOL	DESCRIPTION	PART NUMBER	REQ'D.	ITEM	POSE

SYMBOL	DESCRIPTION	PART NUMBER	REQ'D.	ITEM	POSE



MARK TMC PART No W/LATEST REV LETTER

LD2024-

REF: M54813

MARKING PROCESS: AS PER TMC SPECIFICATION S-727.
LETTERING: 1/8 HIGH BLACK GOTHIC, LOCATED AS SHOWN.

