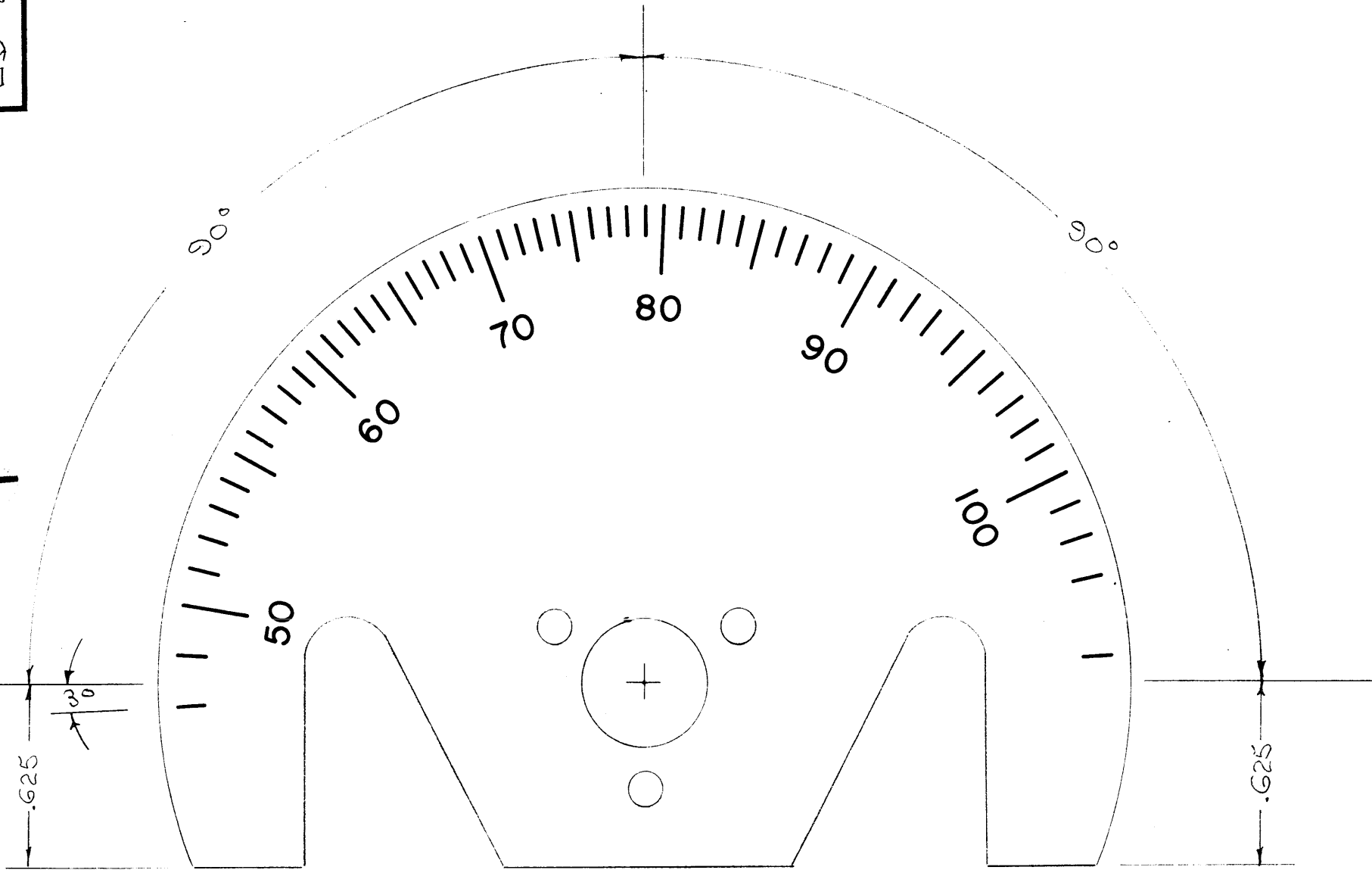


LD-267



NOTICE TO PERSONS RECEIVING THIS DRAWING

THE TECHNICAL MATERIEL CORPORATION claims proprietary right in the material disclosed hereon. This drawing is issued in confidence for engineering information only and may not be reproduced or used to manufacture anything shown hereon without permission from THE TECHNICAL MATERIEL CORPORATION to the user. This drawing is loaned for mutual assistance and is subject to recall at any time.

Property of:
THE TECHNICAL MATERIEL CORPORATION
 MAMARONECK, NEW YORK

NOTE:
 ETCHED, BLACK LETTERS WITH SATIN ALUMINUM FINISHED BACKGROUND.

REF: MS-179

ISSUE	ITEM	CHANGED FROM	DATE	CH. NO.	DRAFTS	CHECKER	ENG. APP.
TOLERANCES			SCALE: 2" = 1"				
DEC. DIM. ±			MAXIMUM ALLOWABLE TOLERANCES HAVE BEEN DETERMINED AND ANY DEVIATIONS WILL BE CAUSE FOR REJECTION.				
FRAC. DIM. ±			REMOVE ALL BURRS AND SHARP EDGES				
ANGULAR DIM. ±							

REQ. PER UNIT	MODEL	PROJECT NO.	ASS'Y. NO.	DATE
1	FFRD-1	E-458-P		3/7/56
USED ON				

REQ. ITEM	PART NO.	DESCRIPTION	SYMBOL															
		THE TECHNICAL MATERIEL CORP. MAMARONECK, NEW YORK																
	STOCK SIZE	DIAL CALIBRATION																
	MATERIAL	FFRD-1																
		<table border="1"> <tr> <td>TYPE & TEMPER</td> <td>HEAT TREAT. SPEC.</td> <td>DRAWN</td> <td>CHECKED</td> <td>FINAL APPROVAL</td> </tr> <tr> <td>SEE NOTE</td> <td></td> <td>PLK.</td> <td>ULC</td> <td>A.J.J.</td> </tr> <tr> <td>FINISH & SPEC. NO.</td> <td></td> <td>ELEC. DES. APP.</td> <td>MECH. DES. APP.</td> <td>LD-267</td> </tr> </table>	TYPE & TEMPER	HEAT TREAT. SPEC.	DRAWN	CHECKED	FINAL APPROVAL	SEE NOTE		PLK.	ULC	A.J.J.	FINISH & SPEC. NO.		ELEC. DES. APP.	MECH. DES. APP.	LD-267	
TYPE & TEMPER	HEAT TREAT. SPEC.	DRAWN	CHECKED	FINAL APPROVAL														
SEE NOTE		PLK.	ULC	A.J.J.														
FINISH & SPEC. NO.		ELEC. DES. APP.	MECH. DES. APP.	LD-267														