

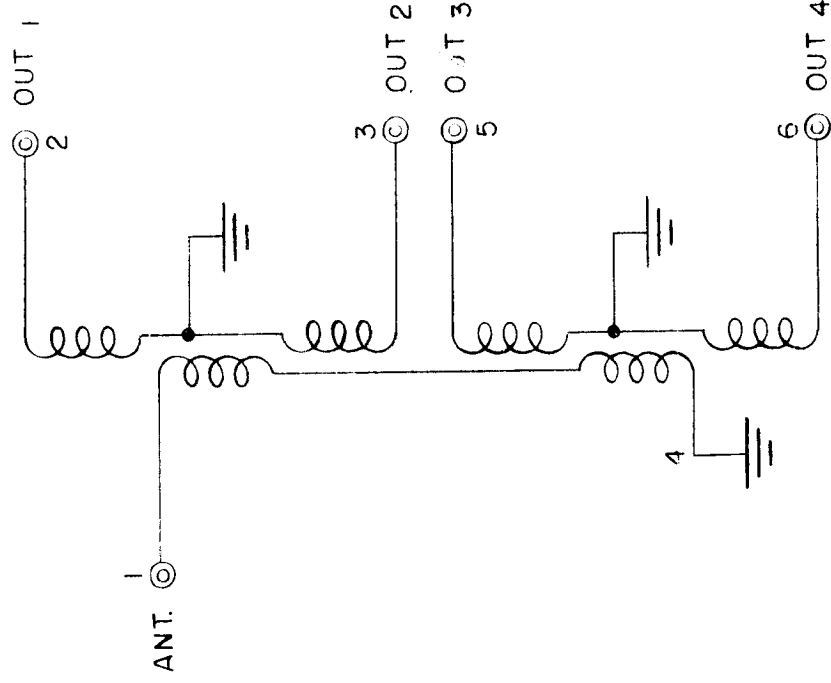
THE TECHNICAL MATERIEL CORPORATION
MAMARONECK, NEW YORK

LOW FREQUENCY DISTRIBUTION UNIT

MODEL LFD

The Model LFD Distribution Unit has been designed to couple a single antenna of nominally 70 ohms impedance to four 50 ohm receivers with a minimum of insertion loss over the frequency range 15 - 2000 kcs.

The distribution is accomplished by means of a multi-phase transformer wound on a high permeability torroidal core.



LD-245

LD-245