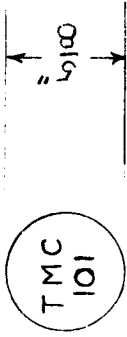
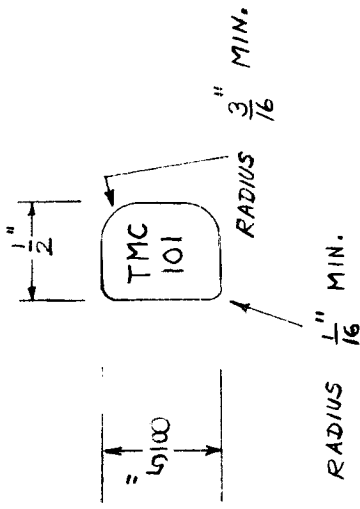


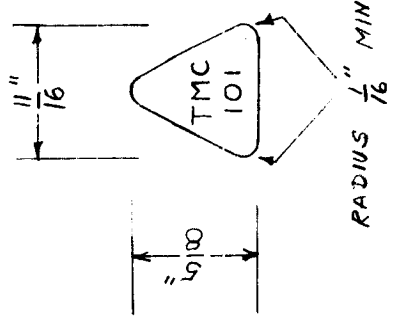
LD-208



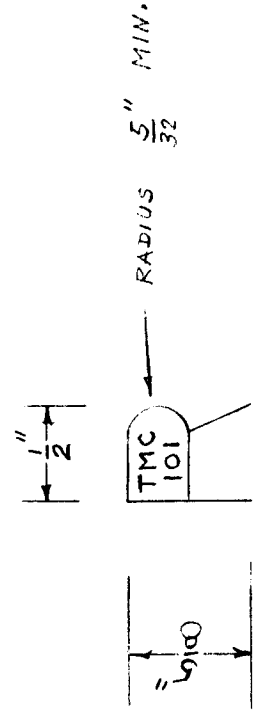
TMC 101



RADIUS  $\frac{1}{16}$  MIN.



RADIUS  $\frac{1}{16}$  MIN.



RADIUS  $\frac{5}{32}$  MIN.

LD-208

SUPERSEDES AMMO23  
12-8-54

DATE 7/12/51  
 DRN. *DRN*  
 CHKD.  
 APPD.

AIR FORCE  
INSPECTION STAMPS

THE TECHNICAL MATERIEL  
CORPORATION  
MAMARONECK, NEW YORK

SHEET OF NO. LD-208