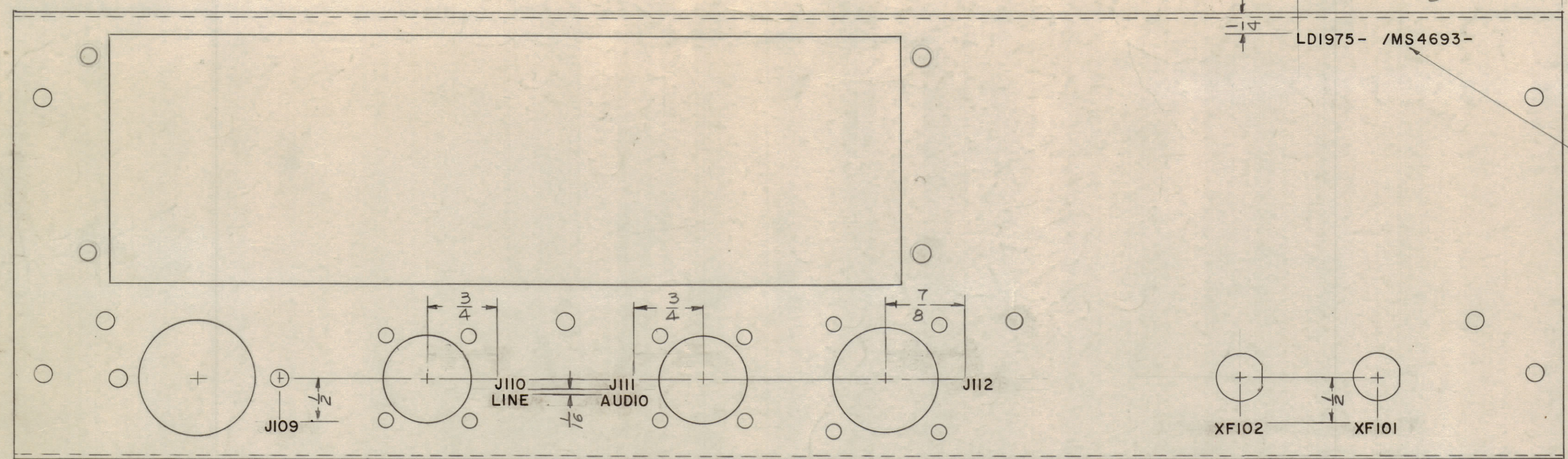
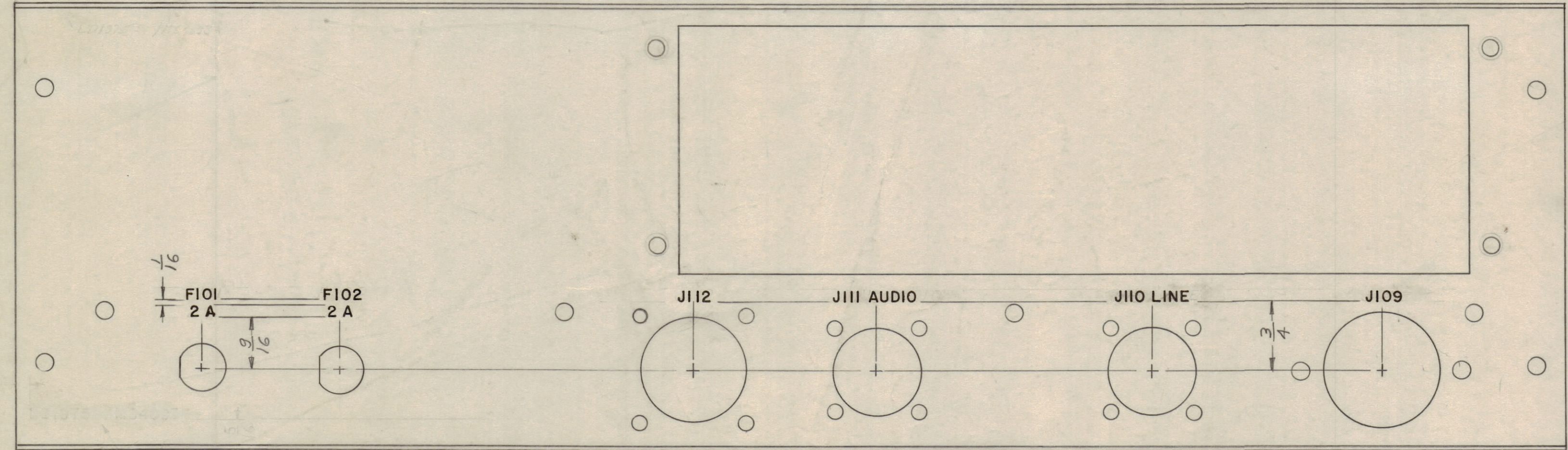


		REVISIONS					
ZONE	SYM	DESCRIPTION	DATE	E.M.N. NO.	DRAFT	CHKD	APPD
X1		LINE WAS SIGNAL ADDED F102, XF102, 2A	10/26/65		WJW		
X2		LD1975-MS4693 RELOCATED	9-16-65	X2	GDL		
		ORIGINAL RELEASE FOR PRODUCTION	10/26/65				

REAR VIEW SHOWN



FRONT VIEW SHOWN



REF: MS4693

MARKING PROCESS: AS PER TMC SPECIFICATION S-727.  
 LETTERING: 1/8 HIGH BLACK GOTHIC, LOCATED AS SHOWN.

NOTES

QTY/UNIT	1	MODEL USED ON	RARB-1	ASS'Y. NO.	A5126
SCALE	1:1	CODE	A		
THE CONTENTS OF THIS DRAWING ARE THE EXCLUSIVE PROPERTY OF THE TECHNICAL MATERIEL CORP. ITS UNAUTHORIZED USE OR REPRODUCTION IN WHOLE OR IN PART IS STRICTLY FORBIDDEN.					

REQ'D.	ITEM	PART NUMBER	DESCRIPTION	SYMBOL
LANGER LIST OF MATERIAL				
MATERIAL			THE TECHNICAL MATERIEL CORP. MAMARONECK, NEW YORK	
FINISH			MARKING, PLATE, REAR	
UNLESS OTHERWISE SPECIFIED DIMENSIONS ARE IN INCHES AND INCLUDE CHEMICALLY APPLIED OR PLATED FINISHES		DRAWN	DATE	FINAL APPROVAL
DECIMALS X ± .05 XX ± .01 XXX ± .005		CHECKED	DATE	DATE
FRACTIONS ± 1/64 ANGLES ± 0° 30'		ELECT. DES.	DATE	DATE
TOLERANCES		MECH. DES.	DATE	DATE
		SHEET	DATE	REV. LTR.

LD1975