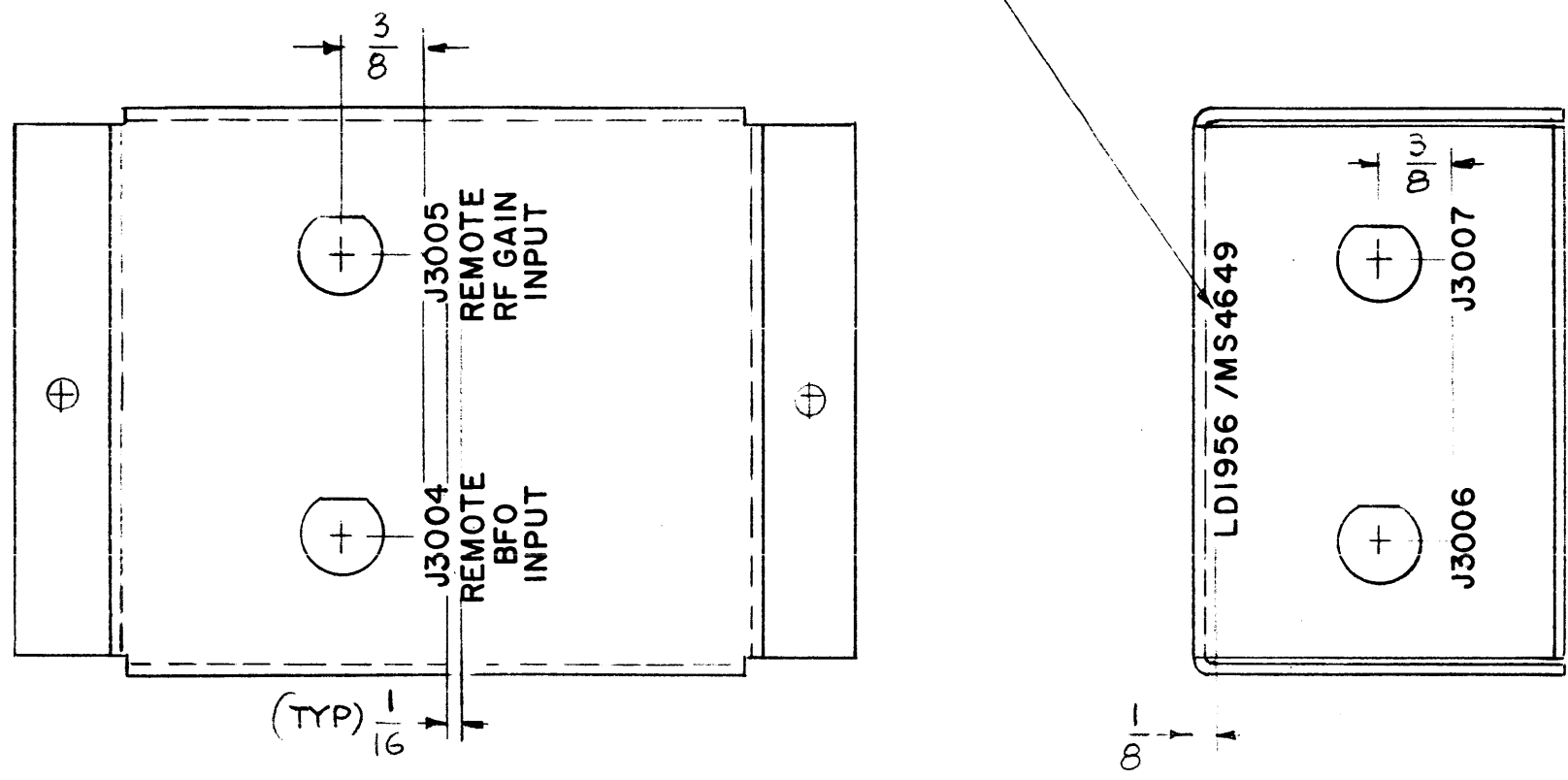


REVISIONS						
SYM	DESCRIPTION	DATE	E.M.N. NO.	DRAFT	CHKD	APPD
Ø	ORIGINAL RELEASE FOR PRODUCTION	8/9/65			J.K.	

LD1956

MARK TMC P/No WITH LATEST REV. LETTER



REF: MS4649

MARKING PROCESS: AS PER TMC SPECIFICATION S-727.  
 LETTERING: 1/8 HIGH BLACK GOTHIC, LOCATED AS SHOWN.

REQ'D.	ITEM	PART NUMBER	DESCRIPTION	SYMBOL
EATON LIST OF MATERIAL				
MATERIAL			THE TECHNICAL MATERIEL CORP. MAMARONECK, NEW YORK	
FINISH			TITLE MARKING, BOX TERM. MTG.	
UNLESS OTHERWISE SPECIFIED DIMENSIONS ARE IN INCHES AND INCLUDE CHEMICALLY APPLIED OR PLATED FINISHES			DRAWN G.D.L. CHECKED <i>[Signature]</i> ELECT. DES. <i>[Signature]</i> MECH. DES. <i>[Signature]</i>	DATE 6-29-65 DATE DATE DATE
DECIMALS .X ± .05 .XX ± .01 .XXX ± .005			FRACTIONS ± 1/64 ANGLES ± 0° 30'	FINAL APPROVAL <i>[Signature]</i> DATE 8/9/65 SHEET LD1956 REV. LTR. Ø

1	DDR-5BR	
Q'TY./UNIT	MODEL USED ON	ASS'Y. NO.
SCALE 1:1	CODE A	
THE CONTENTS OF THIS DRAWING ARE THE EXCLUSIVE PROPERTY OF THE TECHNICAL MATERIEL CORP. ITS UNAUTHORIZED USE OR REPRODUCTION IN WHOLE OR IN PART IS STRICTLY FORBIDDEN.		

NOTES