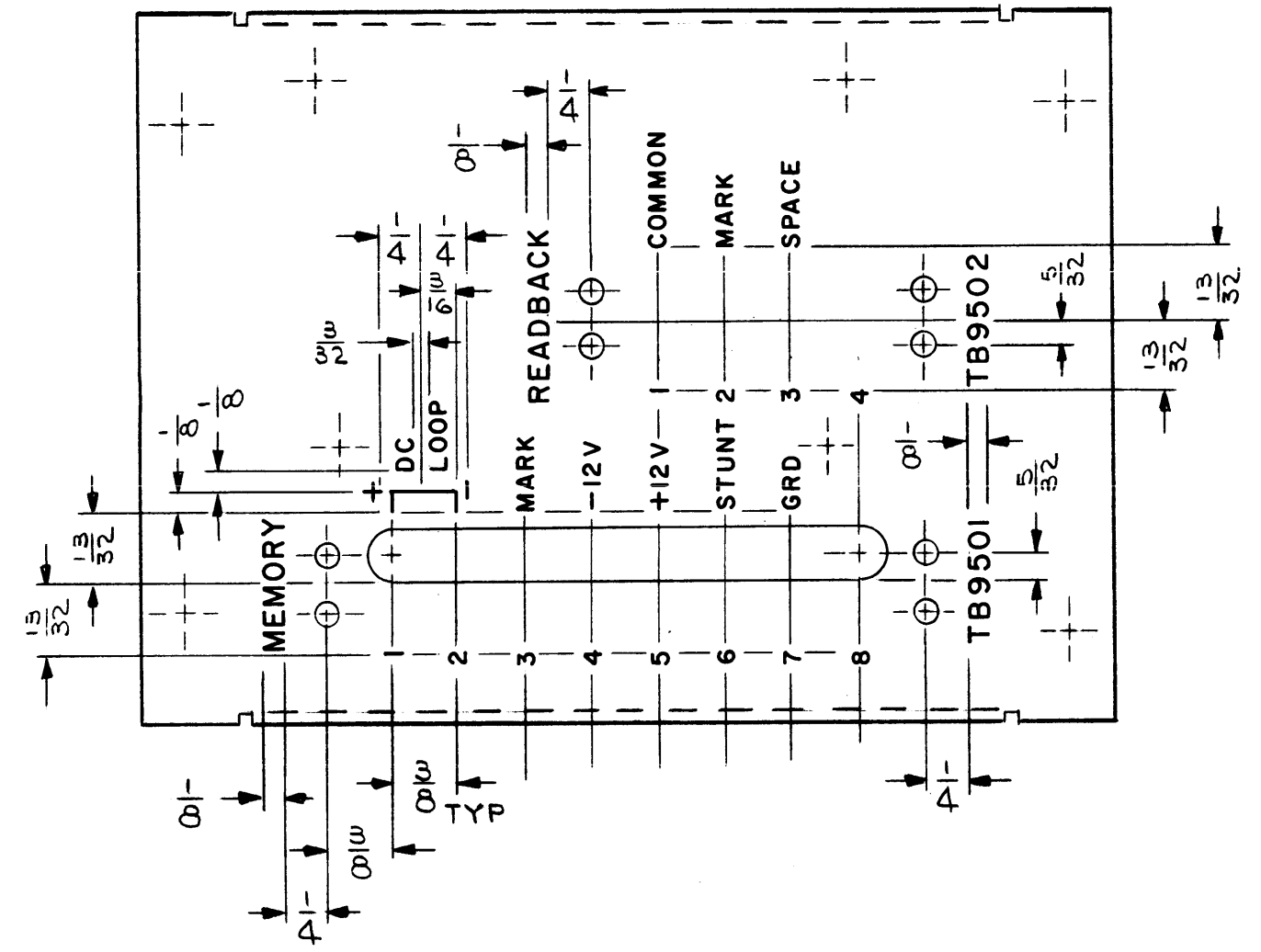


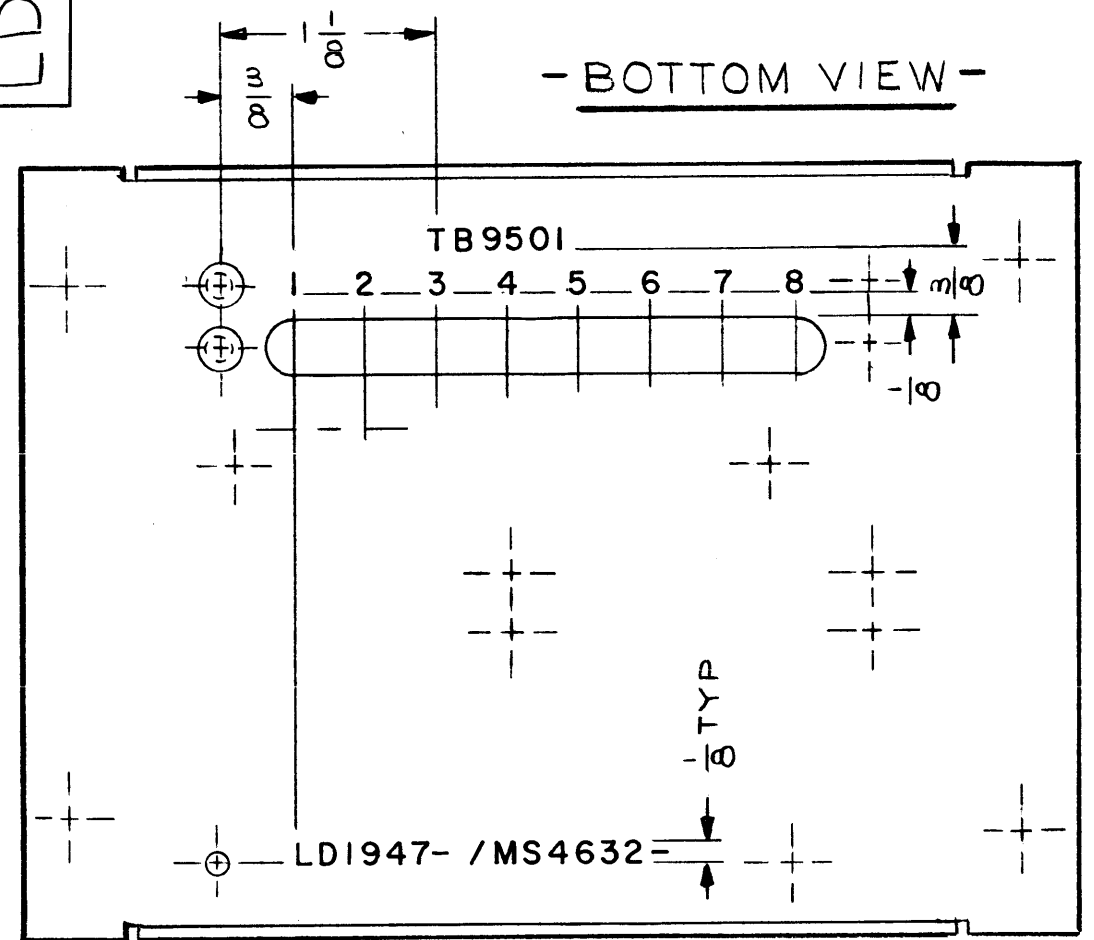
LD1947

REVISIONS						
SYM	DESCRIPTION	DATE	E.M.N. NO.	DRAFT	CHKD	APPD
X	EXPERIMENTAL RELEASE	6-18-65	M	JC		
Ø	ORIGINAL RELEASE FOR PRODUCTION	6-18-65	Ø	DVV		

- TOP VIEW -



- BOTTOM VIEW -



- UNLESS OTHERWISE SPECIFIED -

- 1-MARKING PROCESS: AS PER TMC SPECIFICATION S-727.
- 2-LETTERING: 3/32 HIGH BLACK GOTHIC, LOCATED AS SHOWN.

NOTES

1	AK-101	
Q'TY./UNIT	MODEL USED ON	ASS'Y. NO.
SCALE 1/1	CODE	
THE CONTENTS OF THIS DRAWING ARE THE EXCLUSIVE PROPERTY OF THE TECHNICAL MATERIEL CORP. ITS UNAUTHORIZED USE OR REPRODUCTION IN WHOLE OR IN PART IS STRICTLY FORBIDDEN.		

REF: MS 4632

REQ'D.	ITEM	PART NUMBER	DESCRIPTION	SYMBOL
F. E. EATON LIST OF MATERIAL				
MATERIAL		THE TECHNICAL MATERIEL CORP. MAMARONECK, NEW YORK		
FINISH		TITLE MARKING-CHASSIS, ELECT., MAIN		
UNLESS OTHERWISE SPECIFIED DIMENSIONS ARE IN INCHES AND INCLUDE CHEMICALLY APPLIED OR PLATED FINISHES		DRAWN J. LESHINSKI	DATE 6/17/65	FINAL APPROVAL <i>[Signature]</i>
DECIMALS .X ± .05 .XX ± .01 .XXX ± .005		CHECKED <i>[Signature]</i>	DATE 6-18-65	DATE 6/24/65
FRACTIONS ± 1/64 ANGLES ± 0° 30'		ELECT. DES. <i>[Signature]</i>	DATE 6/24/65	DATE
TOLERANCES		MECH. DES. <i>[Signature]</i>	DATE 6/24/65	DATE
SHEET				REV. LTR.

LD1947-Ø