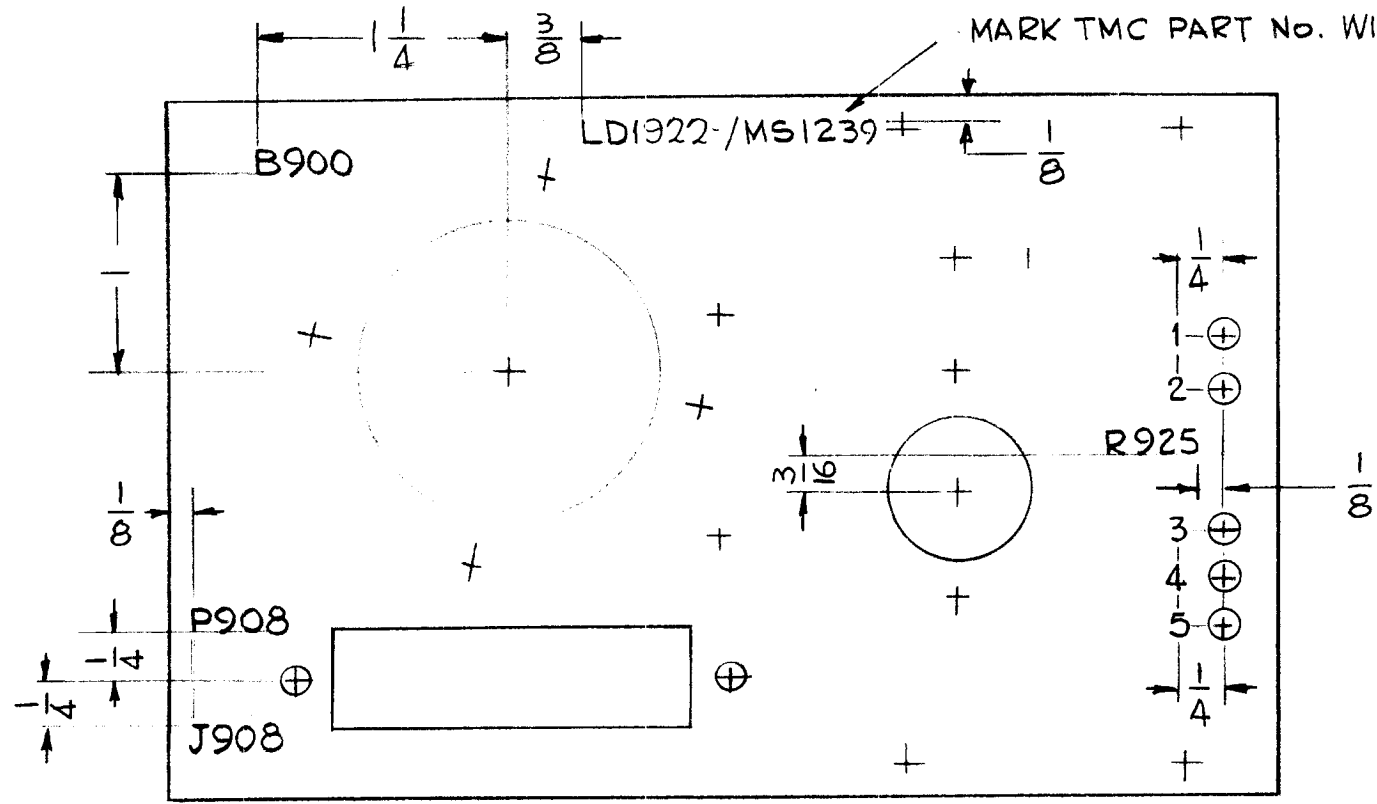


REQ. PER UNIT	USED ON		
	MODEL	ASS'Y. NO.	DATE
1	TSTE-10K	ASICS	6-8-65

LD1922 Ø



MARKING PROCESS: AS PER TMC SPECIFICATION S-727.
 LETTERING: 1/8 HIGH BLACK GOTHIC, LOCATED AS SHOWN.

REF : PM1239

REQ.	ITEM	PART NO.	DESCRIPTION				SYMBOL					
			THE TECHNICAL MATERIEL CORP. MAMARONECK. NEW YORK									
			MARKING, PLATE, GEAR, FRONT									
Ø	ORIG RELEASE FOR PROD	58-67	Ø	RG								
SYM	DESCRIPTION	DATE	CH. NO.	DRAFTS	CHECKER	ENG. APP.	MATERIAL					
UNLESS OTHERWISE SPECIFIED DIMENSIONS ARE IN INCHES AND INCLUDE CHEMICALLY APPLIED OR PLATED FINISHES		SCALE		1:1				G.D.L				
DECIMALS .X ± .05 .XX ± .01 .XXX ± .005		FRACTIONS ± 1/64 ANGLES ± 0° 30'		TOLERANCES		CODE A		TYPE & TEMPER	HEAT TREAT. SPEC.	DRAWN	CHECKED	FINAL APPROVAL
										dq		LD1922 Ø
										ELEC. DES. APP.		MECH. DES. APP.