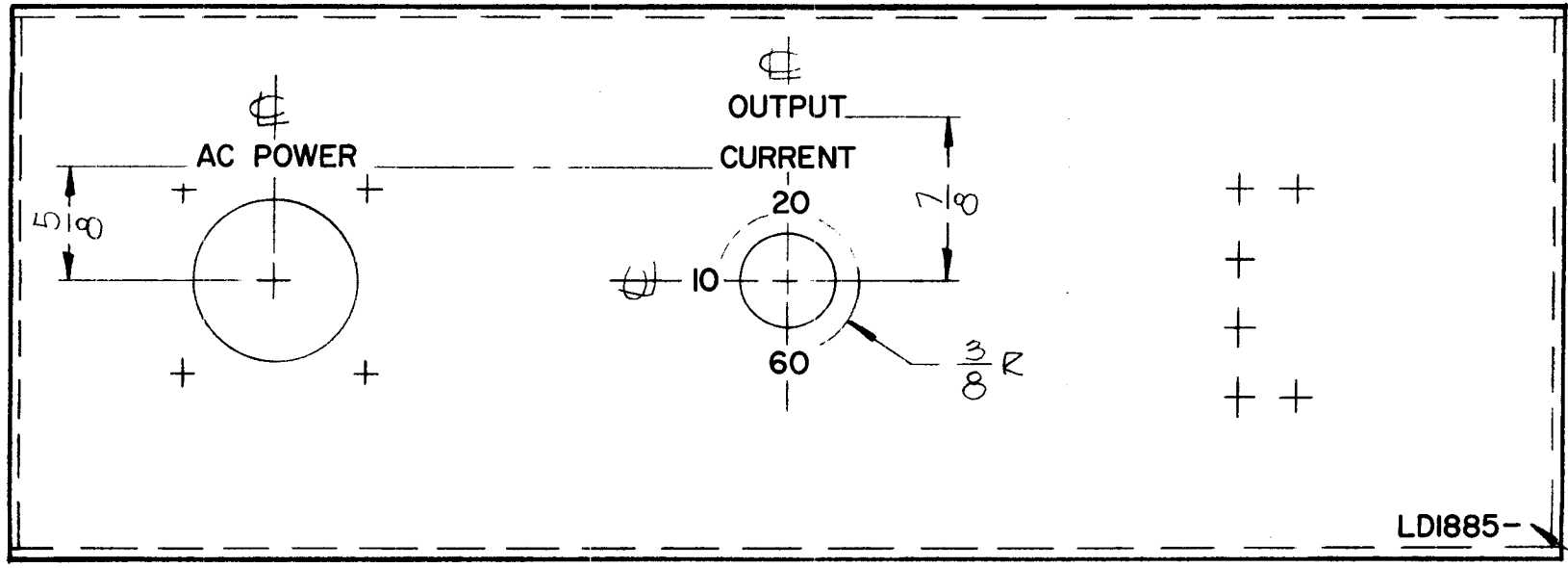


REQ. PER UNIT	USED ON			LD1885	Ø
	MODEL	ASS'Y. NO.	DATE		
	PSPA		7.13.66		



MARK TMC PT/No  
 1/8 HIGH GOTHIC W/LATEST  
 REVISION LETTER

REF: MS455I

REQ.	ITEM	PART NO.	DESCRIPTION				SYMBOL
			<b>THE TECHNICAL MATERIEL CORP.</b>				
			MAMARONECK. NEW YORK				
			MARKING, COVER WRAPAROUND				
			MATERIAL				
			TYPE & TEMPER HEAT TREAT. SPEC.				
			DRAWN CHECKED				
			FINAL APPROVAL				
			FINISH & SPEC. NO.				
			ELEC. DES. APP. MECH. DES. APP.				
			LD1885				Ø