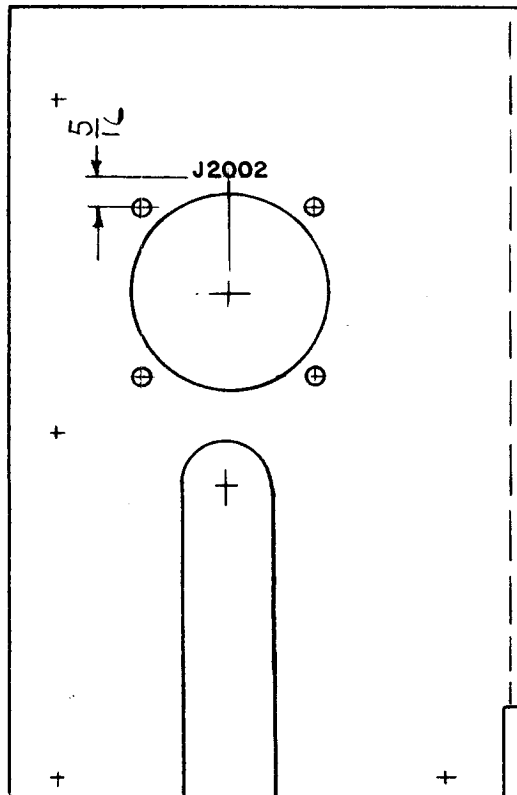


REQ. PER UNIT	USED ON			LD1850	Q
	MODEL	ASS'Y. NO.	DATE		
1	AP-126		5-1-65		



MARK TMC PART NO.
LD1850-MS4390-
1/8 HIGH GOTHIC
W/LATEST REV. LETTER.
(ON LIP.)

MARKING PROCESS: AS PER TMC SPECIFICATION S-727.
LETTERING: 1/8 HIGH BLACK GOTHIC, LOCATED AS SHOWN.

REF. MS4390

REQ.	ITEM	PART NO.	F. BUDETTI DESCRIPTION			SYMBOL
Q	ORIGINAL RELEASE FOR PRODUCTION	8-25-66	Q	RME	THE TECHNICAL MATERIEL CORP. MAMARONECK, NEW YORK	
X1	PICTORIAL REVISED	7-29-65	X1	ARJ	MARKING, BRACKET, MTG. CONNECTOR	
SYM	DESCRIPTION	DATE	CH. NO.	DRAFTS	CHECKER	ENG. APP.
UNLESS OTHERWISE SPECIFIED DIMENSIONS ARE IN INCHES AND INCLUDE CHEMICALLY APPLIED OR PLATED FINISHES		SCALE	1/2:1			
DECIMALS .X ± .05 .XX ± .01 .XXX ± .005	TOLERANCES	FRACTIONS ± 1/64 ANGLES ± 0° 30'	CODE	A		
FINISH & SPEC. NO.		ELEC. DES. APP.	MECH. DES. APP.	LD1850 Q		