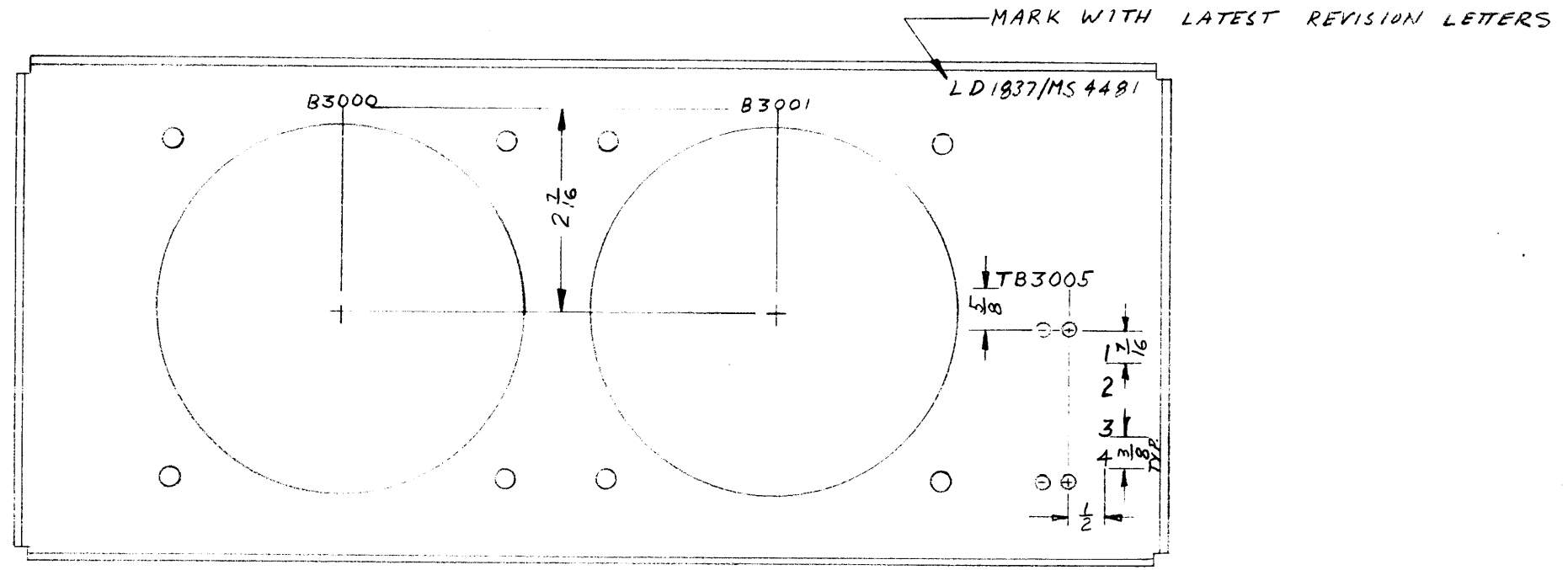


LD 1837

REVISIONS					
SYM	DESCRIPTION	DATE	E.M.N. NO.	DRAFT	CHKD APPD
Ø	ORIGINAL RELEASE FOR PRODUCTION	5/13/67	Ø	CV	<i>[Signature]</i>



MARKING PROCESS: AS PER TMC SPECIFICATION S-727.
 LETTERING: 1/8 HIGH BLACK GOTHIC, LOCATED AS SHOWN.

REF: MS 4481

1	TSTE 10K/AX 563	A4226
Q'TY./UNIT	MODEL USED ON	ASS'Y. NO.
SCALE	CODE	

REQ'D.	ITEM	PART NUMBER	DESCRIPTION	SYMBOL
B.N.A.P. LIST OF MATERIAL				
MATERIAL			THE TECHNICAL MATERIEL CORP. MAMARONECK, NEW YORK	
FINISH			TITLE MARKING, PLATE, MTG, REAR FAN	
UNLESS OTHERWISE SPECIFIED DIMENSIONS ARE IN INCHES AND INCLUDE CHEMICALLY APPLIED OR PLATED FINISHES			DRAWN <i>[Signature]</i>	DATE 29 Mar 65
DECIMALS .X ± .05 .XX ± .01 .XXX ± .005			CHECKED <i>[Signature]</i>	DATE 7/22/65
FRACTIONS ± 1/64 ANGLES ± 0° 30'			ELECT. DES. <i>[Signature]</i>	DATE
TOLERANCES			MECH. DES. <i>[Signature]</i>	DATE
THE CONTENTS OF THIS DRAWING ARE THE EXCLUSIVE PROPERTY OF THE TECHNICAL MATERIEL CORP. ITS UNAUTHORIZED USE OR REPRODUCTION IN WHOLE OR IN PART IS STRICTLY FORBIDDEN.			FINAL APPROVAL <i>[Signature]</i> DATE 5/16/67	
NOTES			SHEET LD 1837	
			REV. LTR.	