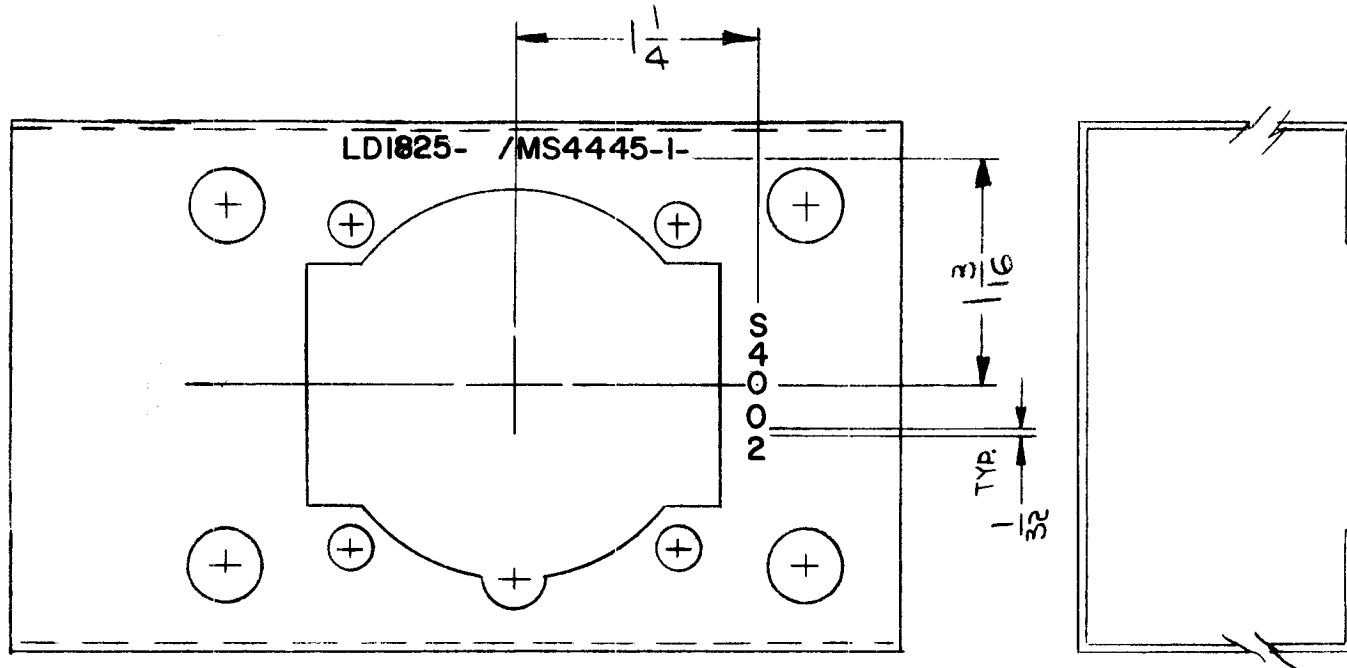


REQ. PER UNIT	USED ON			LD1825	Ø
	MODEL	ASS'Y. NO.	DATE		
1	RSBA-1		3-17-65		



MARKING PROCESS: AS PER TMC SPECIFICATION S-727.

LETTERING: 1/8 HIGH BLACK GOTHIC, LOCATED AS SHOWN.

MARK TMC PART NO, AS SHOWN, WITH LATEST REV. LETTERS.

REF: MS4445-1

REQ. ITEM	PART NO.	F. EATON	DESCRIPTION	FORMALLY E31628.16	SYMBOL	
Ø	ORIGINAL RELEASE		11/1/65	<i>[Signature]</i>		
X2	SYM J4006 & CONNECTOR DETAIL DELETED	4-7-65	X2	G.L. J.M. W.J.		
X1	J4006 WAS J4007	3-31-65	X1	<i>[Signature]</i> JLL		
SYM	DESCRIPTION	DATE	CH. NO.	DRAFTS	CHECKER	ENG. APP.
UNLESS OTHERWISE SPECIFIED DIMENSIONS ARE IN INCHES AND INCLUDE CHEMICALLY APPLIED OR PLATED FINISHES		SCALE				
		1:1				
DECIMALS .X ± .05 .XX ± .01 .XXX ± .005		TOLERANCES		FRACTIONS ± 1/64 ANGLES ± 0° 30'		CODE A
TYPE & TEMPER		HEAT TREAT. SPEC.		DRAWN		CHECKED
FINISH & SPEC. NO.		ELEC. DES. APP.		MECH. DES. APP.		
				<i>[Signature]</i>		<i>[Signature]</i>
						LD1825
						Ø