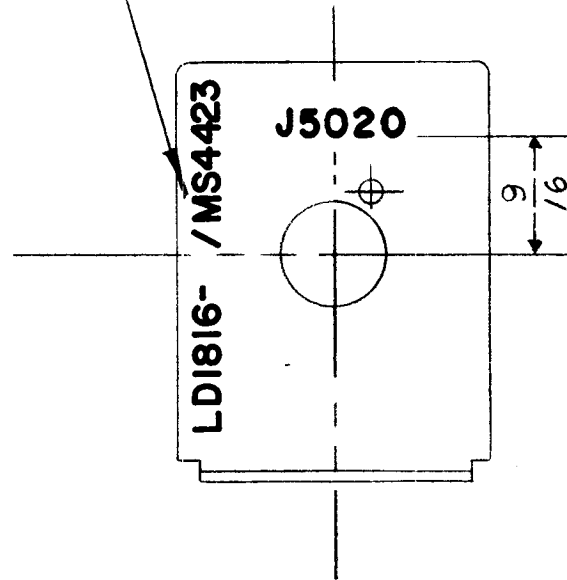


REQ. PER UNIT	USED ON			LD1816	Ø
	MODEL	ASS'Y. NO.	DATE		
1	AFCR-3		3/22/65		

MARK TMC PART NO WITH LATEST REV. LETTER.



NOTE:
FOR CLARITY, ONLY THOSE HOLES THAT PERTAIN TO MARKINGS ARE SHOWN.

MARKING PROCESS: AS PER TMC SPECIFICATION S-727.

LETTERING: 1/8 HIGH BLACK GOTHIC, LUSTERLESS
LOCATED AS SHOWN.

(REF. MS 4423)

							REQ. ITEM	PART NO.	DESCRIPTION	SYMBOL		
							STOCK SIZE		THE TECHNICAL MATERIEL CORP. MAMARONECK. NEW YORK			
Ø			3-25-65	2	RU	<i>[Signature]</i>	MARKING, HOUSING					
X	EXP. RELEASE		3-23-65	1	CL	<i>[Signature]</i>						
SYM	DESCRIPTION	DATE	CH. NO.	DRAFTS	CHECKER	ENG. APP.	MATERIAL					
UNLESS OTHERWISE SPECIFIED DIMENSIONS ARE IN INCHES AND INCLUDE CHEMICALLY APPLIED OR PLATED FINISHES		SCALE FULL					TYPE & TEMPER		HEAT TREAT. SPEC.	DRAWN CLANZA	CHECKED <i>[Signature]</i>	FINAL APPROVAL <i>[Signature]</i>
DECIMALS .X ± .05 .XX ± .01 .XXX ± .005		TOLERANCES		FRACTIONS ± 1/64 ANGLES ± 0° 30'		CODE	FINISH & SPEC. NO.		ELEC. DES. APP.	MECH. DES. APP.	LD1816 Ø	