

5

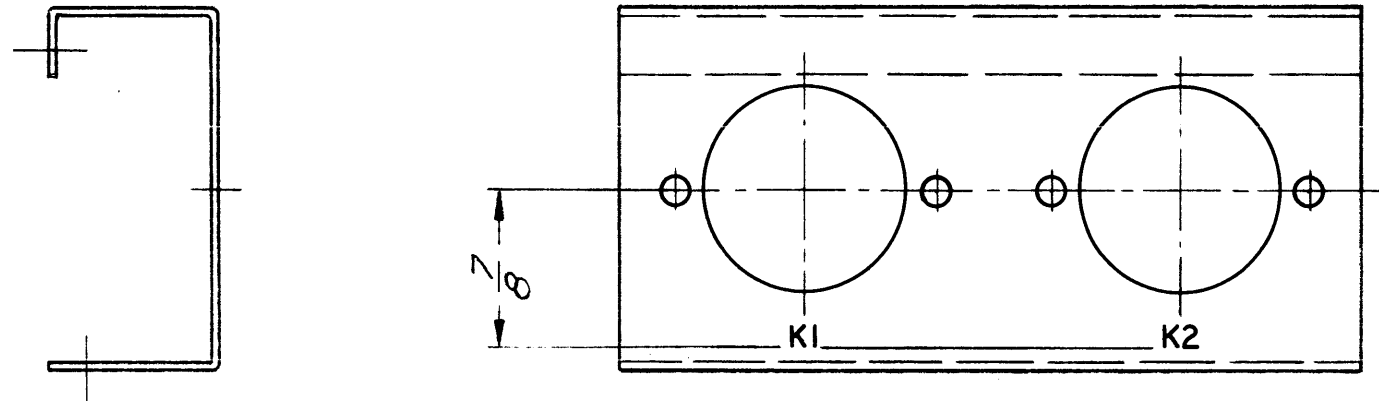
4

3

2

1

| REVISIONS | | | | | | |
|-----------|-----|------------------------|---------|----------|-------|-----------|
| ZONE | LTR | DESCRIPTION | DATE | E.M.N.NO | DRAFT | CHKD APPD |
| | X | EXP. RELEASE | 2/5/69 | | R.H. | |
| | Ø | ORIG. RELEASE FOR PROD | 2-12-68 | Ø | R.G. | |



MARKING PROCESS: AS PER TMC SPECIFICATION S727
 LETTERING: 1/8 HIGH BLACK GOTHIC, LOCATED AS SHOWN

REF. MS 4072

| REQ'D | ITEM | PART NUMBER | DESCRIPTION | SYM. | | |
|----------------|------|-------------|--|-----------------|---------|-------|
| | | | A. MARTINENG LIST OF MATERIAL | | | |
| FINAL APPROVAL | | DATE | THE TECHNICAL MATERIEL CORP. MAMARONECK, NEW YORK <i>MARKING, CHASSIS, RELAY PANEL</i> | | | |
| MECH. DES. | | DATE | | | | |
| ELECT. DES. | | DATE | | | | |
| CHECKED | | DATE | | | | |
| DRAWN | | DATE | SIZE | CODE IDENT. NO. | DWG NO. | ISSUE |
| | | | B | 82679 | LD 1806 | Ø |
| SCALE | | | SHEET OF | | | |

| QTY / UNIT | MODEL USED ON | ASS'Y NO. |
|-------------|---------------|-----------|
| | AX 515 | |
| APPLICATION | | |
| | CODE | |

UNLESS OTHERWISE SPECIFIED DIMENSIONS ARE IN INCHES AND INCLUDE CHEMICALLY APPLIED OR PLATED FINISHES

DECIMALS .X ± .05 .XX ± .01 .XXX ± .005

FRACTIONS 1/64

TOLS. ANGLES 0° -30'

MATERIAL

FINISH

NOTICE TO PERSONS RECEIVING THIS DRAWING
 THE TECHNICAL MATERIEL CORPORATION claims proprietary right in the material disclosed hereon. This drawing is issued in confidence for engineering information only and may not be reproduced or used to manufacture anything shown hereon without permission from THE TECHNICAL MATERIEL CORPORATION to the user. This drawing is loaned for mutual assistance and is subject to recall at any time.

5

4

3

2

1