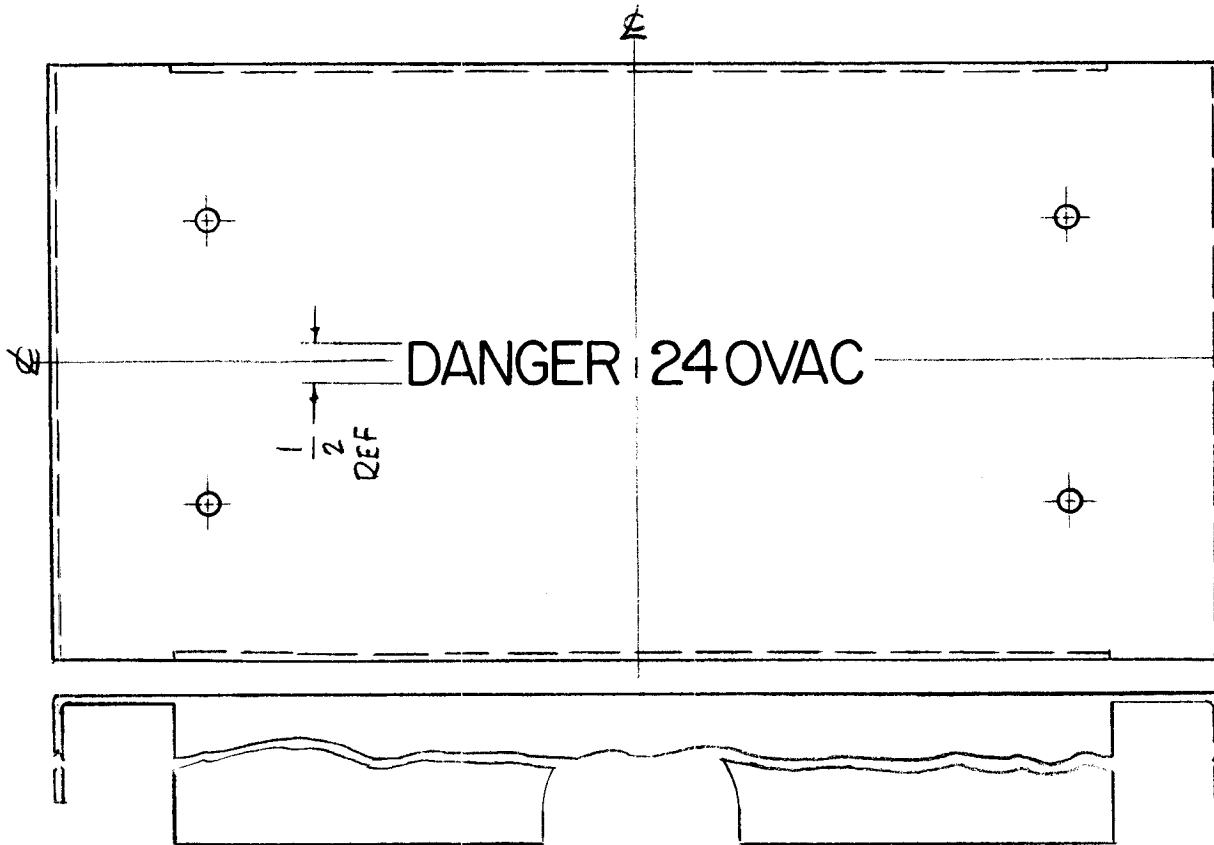


REQ. PER UNIT	USED ON			LD1801	Ø
	MODEL	ASS'Y. NO.	DATE		
2	GPT-200K		2-23-65		

MARKING PROCESS: AS PER TMC SPECIFICATION S-727.

LETTERING: 1/2 HIGH RED GOTHIC, LOCATED AS SHOWN.



MARK TMC PART NO. LD1801-PX924- 1/8 HIGH GOTHIC W/LATEST REV. LETTER. (ON THE INSIDE)

PX 924

SYM	DESCRIPTION	DATE	CH. NO.	DRAFTS	CHECKER	ENG. APP.	REQ. ITEM	PART NO.	F. BUDETTI DESCRIPTION	SYMBOL				
Ø	ORIGINAL RELEASE FOR PRODUCTION	4/20/65	1A	SRG					<b>THE TECHNICAL MATERIEL CORP.</b> MAMARONECK. NEW YORK MARKING, SHIELD, TERM. BD MARKING PROCESS: AS PER TMC SPEC. S727					
XI	SIDE VIEW DELETED, BOTTOM VIEW ADDED	4/12/65		CJL				STOCK SIZE						
X	EXP. RELEASE	2-23-65	X	SRG				MATERIAL						
UNLESS OTHERWISE SPECIFIED DIMENSIONS ARE IN INCHES AND INCLUDE CHEMICALLY APPLIED OR PLATED FINISHES		SCALE	1/2:1							SRG	JCB	Ø		
DECIMALS .X ± .05 .XX ± .01 .XXX ± .005		TOLERANCES		FRACTIONS ± 1/64 ANGLES ± 0° 30'		CODE A			TYPE & TEMPER	HEAT TREAT. SPEC.	DRAWN	CHECKED	FINAL APPROVAL	
													LD1801	Ø
									FINISH & SPEC. NO.	ELEC. DES. APP.	MECH. DES. APP.			